



RP BNC Male Bulkhead Connector Solder Attachment  
 Solder Cup Terminal, .350 inch D Hole

TECHNICAL DATA SHEET

PE4761

**RP BNC Male Bulkhead Connector Solder Attachment Solder Cup Terminal, .350 inch D Hole**

**Configuration**

Connector	BNC Male Reverse Polarity
Connector Specification	MIL-C-39012
Connector Interface Type	Solder Cup
Cable Attachment Method (Shield/Contact)	Solder
Body Style	Straight
Mount Method	Bulkhead

**Electrical Specifications**

Impedance, Ohms	50
-----------------	----

**Mechanical Specifications**

**Size**

Length, in [mm]	1.21 [30.73]
Width/Dia., in [mm]	0.57 [14.48]
Weight, lbs [g]	0.034 [15.42]

**Connector**

Type	BNC Male Reverse Polarity
Contact Material and Plating	Brass, Gold
Contact Plating Specification	3 $\mu$ -5 $\mu$ in. minimum
Coupling Nut Material and Plating	Brass, Nickel
Coupling Nut Plating Specification	70 $\mu$ in. minimum
Body Material and Plating	Brass, Nickel
Body Plating Specification	70 $\mu$ in. minimum
Dielectric Type	Teflon

**Compliance Certifications** (visit [www.Pasternack.com](http://www.Pasternack.com) for current document)

RoHS Compliant	Yes
----------------	-----

Click the following link (or enter part number in "SEARCH" on website) to obtain additional part information including price, inventory and certifications: [RP BNC Male Bulkhead Connector Solder Attachment Solder Cup Terminal, .350 inch D Hole PE4761](#)

The information contained in this document is accurate to the best of our knowledge and representative of the part described herein. It may be necessary to make modifications to the part and/or the documentation of the part, in order to implement improvements. Pasternack reserves the right to make such changes as required. Unless otherwise stated, all specifications are nominal.





RP BNC Male Bulkhead Connector Solder Attachment  
Solder Cup Terminal, .350 inch D Hole

TECHNICAL DATA SHEET

PE4761

**Plotted and Other Data**

Notes:

Values at 25 °C, sea level

RP BNC Male Bulkhead Connector Solder Attachment Solder Cup Terminal, .350 inch D Hole from Pasternack Enterprises has same day shipment for domestic and International orders. Our RF, microwave and fiber optic products maintain a 99% availability and are part of the broadest selection in the industry.

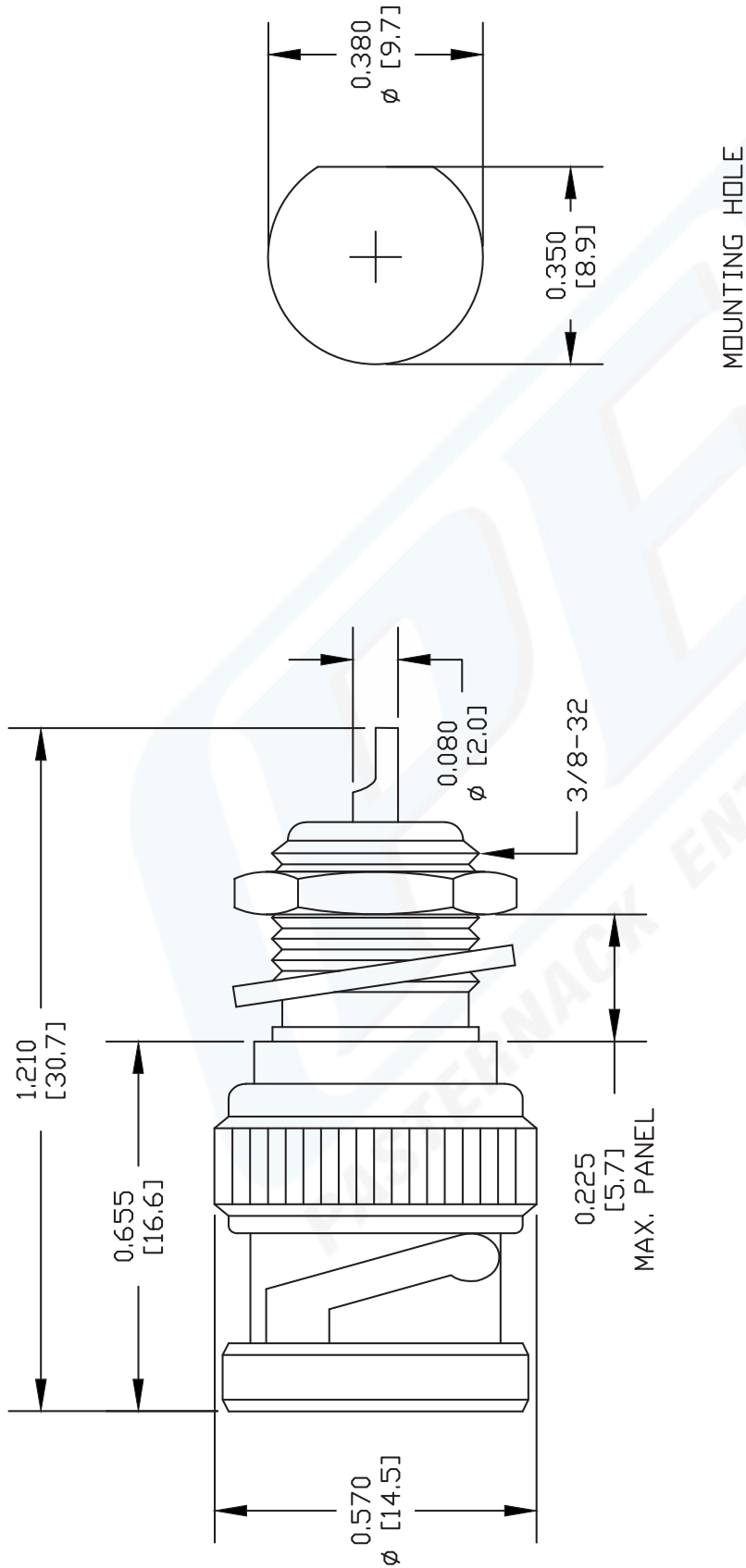
Click the following link (or enter part number in "SEARCH" on website) to obtain additional part information including price, inventory and certifications: [RP BNC Male Bulkhead Connector Solder Attachment Solder Cup Terminal, .350 inch D Hole PE4761](http://www.pasternack.com/bnc-male-reverse-polarity-solder-cup-terminal-connector-pe4761-p.aspx)

URL: <http://www.pasternack.com/bnc-male-reverse-polarity-solder-cup-terminal-connector-pe4761-p.aspx>

The information contained in this document is accurate to the best of our knowledge and representative of the part described herein. It may be necessary to make modifications to the part and/or the documentation of the part, in order to implement improvements. Pasternack reserves the right to make such changes as required. Unless otherwise stated, all specifications are nominal.

# PE4761 CAD Drawing

RP BNC Male Bulkhead Connector Solder Attachment  
Solder Cup Terminal, .350 inch D Hole



NOTES:  
 1. UNLESS OTHERWISE SPECIFIED ALL DIMENSIONS ARE NOMINAL.  
 2. ALL SPECIFICATIONS ARE SUBJECT TO CHANGE WITHOUT NOTICE AT ANY TIME.  
 3. DIMENSIONS ARE IN INCHES [mm].  
 4. FITS MIL-C-17 AND EQUIVALENT CABLES.

DWG TITLE  
**PE4761**

**PE PASTERNAK®**  
 Pasternack Enterprises, Inc.  
 P.O. Box 16759 | Irvine | CA | 92623  
 Phone: (949) 261-1920 | Fax: (949) 261-7451  
 Website: www.pasternack.com | E-Mail: sales@pasternack.com

FSCM NO. 53919

CAD FILE 060602 SCALE N/A SIZE A XXXX