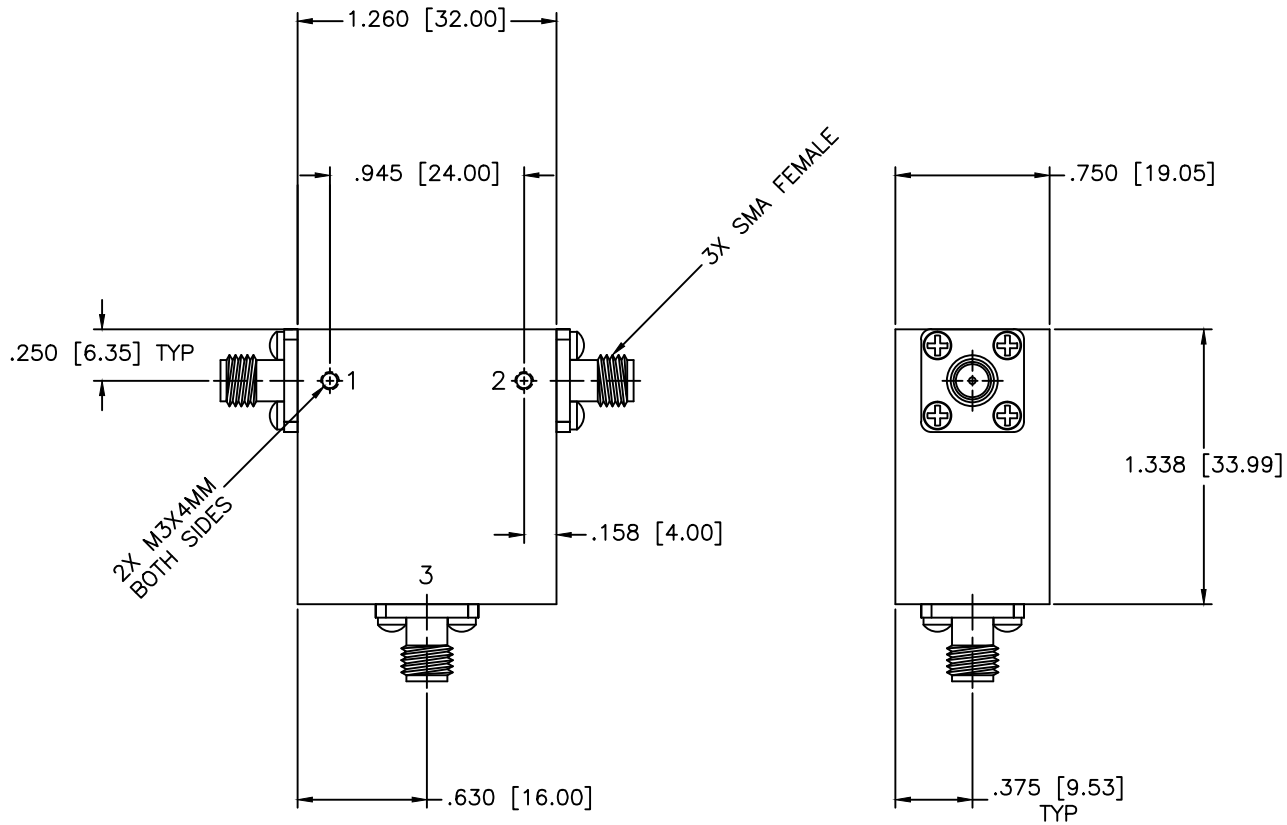


| REVISIONS | | | | |
|-----------|-----|-------------|------|----------|
| ZONE | REV | DESCRIPTION | Date | APPROVED |



SPECIFICATIONS

Frequency Range: 3.2–6.5 GHz
 Isolation: 17dB Min.
 Insertion loss: 0.50dB Max.
 VSWR: 1.35:1 Max.
 Power Avg: 25 Watts
 Power Peak: 250 Watts
 Operating Temperature: -30°C to +70°C

| | |
|------------------------------|---------------------|
| MATERIAL: | |
| DRAWN: Paiboon Luekhamhan | DATE: 05-19-2010 |
| APPROVED: T. Nguyen | DATE: 05-19-2010 |

MCLI MICROWAVE COMMUNICATIONS LABORATORIES INC.
 7255 30TH AVE. N. SAINT PETERSBURG, FL 33710
 TEL: (727) 344-6254 FAX: (727) 381-6116
 http://WWW.MCLI.COM

| | |
|--------|-----|
| SCALE: | N/A |
| SHEET: | N/A |

UNLESS OTHERWISE SPECIFIED:
 TOLERANCES
 IN (INCHES) OR [mm] (MILLIMETERS)
 FRACTIONS: ± 1/64
 DECIMALS: ± .01 ± .005
 ANGLE: ± 1/2°

| | | | |
|--------------------------------------|--------------|-------------|------------------|
| DRAWING TITLE: COAXIAL CIRCULATOR | | | |
| PART NO. CS-17 | | | |
| CAGE CODE: OD2L5 | SIZE: N/A | REV: N/A | DWG NO. 84833 |
| DO NOT SCALE THE DRAWING | | | |

PROPRIETARY NOTICE:
 THE INFORMATION IN THIS DRAWING IS PROPRIETARY
 AND SHALL NOT BE USED OR DISCLOSED WITHOUT WRITTEN
 PERMISSION FROM MICROWAVE COMMUNICATIONS
 LABORATORIES INC. (MCLI)
 THIRD ANGLE PROJECTION