

ATTENUATORS

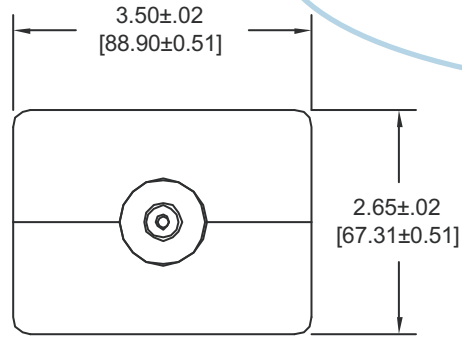
BNC, DC - 4 GHz, 50 Watts

SPECIFICATIONS:

Models: XBNC50W-XX, XBNC50W-XXF, XBNC50W-XXM

RoHS
Compliant

Electrical:	
Frequency Range _____	DC - 4.0 GHz
Standard Freq. Values _____	4 GHz
Standard dB Values _____	0, 3, 6, 10, 20 & 30 and 40 dB
Accuracy of Attenuation:	
3, 6, 10 & 20 dB _____	±0.075 dB
30 dB _____	±1.0 dB Max.
40 dB _____	±1.25 dB Max.
VSWR _____	1.25:1 Max.
Input Power _____	50 Watts Avg. @ 25°C
	Derated Linearly to 10 Watts @ +125°C
Peak Power _____	500 Watts Max.
	(5uSec Pulse, .05% Duty Cycle)
	_____ 50 Ohms
Mechanical:	
BNC Connectors _____	Nickel Plated Brass
	Mates with MIL-STD-348
Conductors _____	Gold Plated Beryllium Copper
Housing _____	Anodized Aluminum



END VIEW
TYPICAL

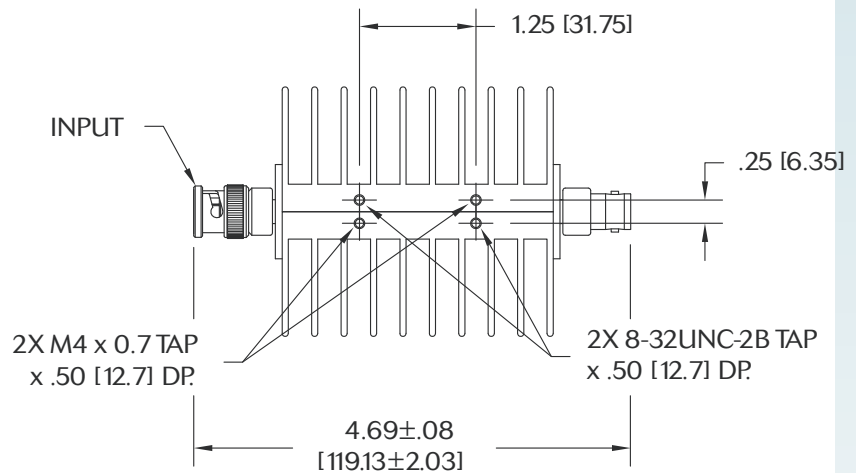
Units must be Mounted in such a way as to Allow for Free Air Flow Around fins to Insure Performance

Note: Units are Unidirectional, Therefore Input Connector MUST be Specified & will be Indicated on Unit

Model Number: **XBNC50W-XX**
Male/Female Connectors
Pictured

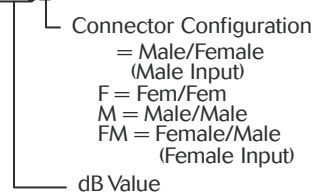
Model Number: **XBNC50W-XXF**
Female/Female Connectors
Length: 4.58 ±.08 [116.33 ±2.03]

Model Number: **XBNC50W-XXM**
Male/Male Connectors
Length: 4.81 ±.08 [122.17 ±2.03]



HOW TO ORDER:

Model Number: **4BNC50W-XXY**



Ordering Examples:

Model Number: **4BNC50W-03**
DC - 4 GHz; 3 dB; BNC - Male/Fem (Male Input)

Model Number: **4BNC50W-10F**
DC - 4 GHz; 10 dB; BNC - Fem/Fem

Model Number: **4BNC50W-30FM**
DC - 4 GHz; 30 dB; BNC - Female/Male (Female Input)

Note: Dimensions in Brackets are Expressed in Millimeters and are for Reference Only.
Design specifications are subject to change without notice.
Contact factory for technical specifications before purchasing or use.

XBNC50W: REV D (M)



Aeroflex / Inmet, Inc. • 300 Dino Drive, Ann Arbor, MI 48103 • U.S.A.
888-244-6638 or 734-426-5553 • FAX: 734-426-5557
www.aeroflex.com/inmet • inmet@aeroflex.com