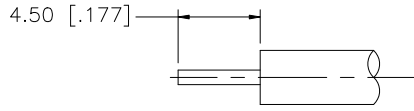
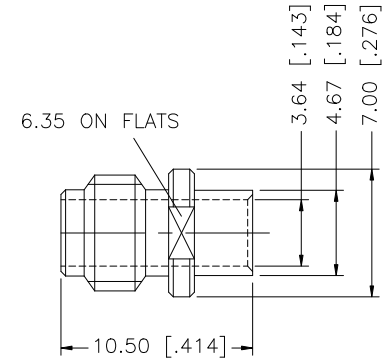
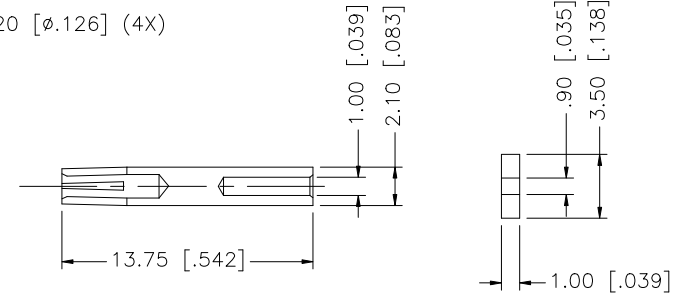
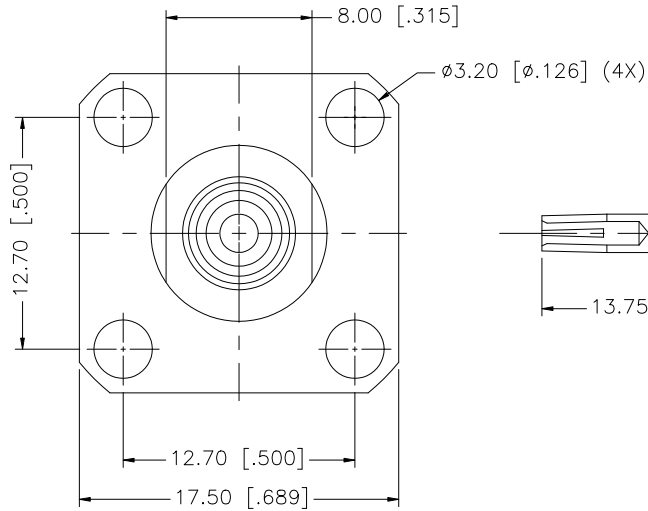
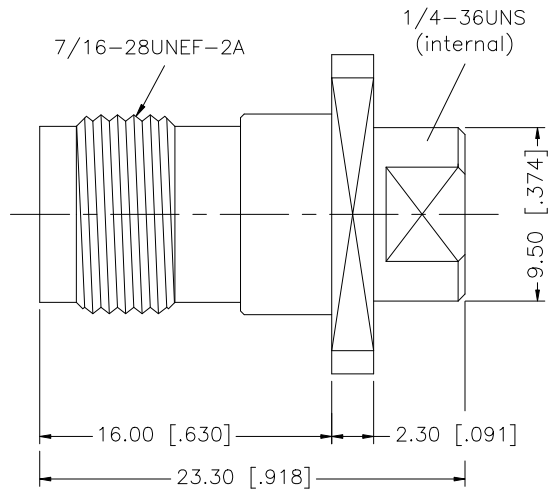


REV.	DATE	ECR NO.	DESCRIPTION
A	01/24/06	-	ADD 50ohm TO DESCRIPTION/ UPDATE DRAWING FORMAT
B	12/03/08	100062	REVISE CABLE STRIPPING TO 4.5/ CONTACT PIN TO 13.75



RECOMMENDED  
CABLE STRIPPING DIM'S



QTY	DESCRIPTION	MATERIAL	FINISH
1	BODY/HOUSING	BRASS	NICKEL
2	INSULATOR	PTFE	NATURAL
3	CONTACT PIN	PHOS. BRONZE	GOLD
4	INSULATOR	PTFE	NATURAL
5	SOLDER NUT	BRASS	GOLD

UNLESS OTHERWISE SPECIFIED DIMENSIONS ARE IN MILLIMETERS. DIMENSIONS IN [ ] ARE IN INCHES AND FOR CUSTOMER REFERENCE ONLY.

UNLESS OTHERWISE SPECIFIED TOLERANCES FOR MILLIMETERS ARE:  
0.5 - 8mm ± 0.20mm  
8 - 30mm ± 0.40mm  
30 - 120mm ± 0.50mm

UNLESS OTHERWISE SPECIFIED TOLERANCES FOR INCHES ARE:  
.020 - .315 ± 0.007"  
.315 - 1.180 ± 0.015"  
1.180 - 4.724 ± 0.020"

DO NOT SCALE DRAWING

APPROVALS	DATE
DRAWN GRS	12/03/08
CHECKED	
ISSUED	
SHEET 1 OF 1	
CAD FILE	C:/122/122419.DWG

PART DESCRIPTION			
<b>Amphenol Connex</b>			
TNC PANEL DIRECT SOLDER JACK (FOR .141" SEMI RIGID CABLE)			
PART NO. 122419			
DWG. NO.	122419.DWG	REV. B	SCALE NA