



N Male to TNC Female Adapter

RF Adapters Technical Data Sheet

PE9090

Configuration

Connector 1	N Male
Connector 2	TNC Female
Impedance	50 Ohms
Body Style	Straight

Electrical Specifications

Description	Minimum	Typical	Maximum	Units
Frequency Range	DC		1,000	MHz
VSWR		1.5:1		
Operating Voltage (DC)			500	Vdc

Mechanical Specifications

Size	
Length	1.272 in [32.31 mm]
Width	0.787 in [19.99 mm]
Weight	0.082 lbs [37.19 g]

Description	Connector 1	Connector 2
Type	N Male	TNC Female
Polarity	Standard	Standard
Interface Specification	MIL-STD-348A	MIL-STD-348A

Material Specifications

Description	Connector 1		Connector 2	
	Material	Plating	Material	Plating
Type	N Male		TNC Female	
Contact	Brass	Gold 30µ in. minimum	Brass	Gold 30µ in. minimum
Insulation	Teflon			
Body	Brass	Nickel 100µ in. minimum	Brass	Nickel 100µ in. minimum
Coupling Nut	Brass	Nickel 100µ in. minimum		

Click the following link (or enter part number in "SEARCH" on website) to obtain additional part information including price, inventory and certifications: [N Male to TNC Female Adapter PE9090](#)





N Male to TNC Female Adapter

RF Adapters Technical Data Sheet

PE9090

Environmental Specifications

Temperature

Operating Range

-65 to 165 deg C

Compliance Certifications (visit www.Pasternack.com for current document)

RoHS Compliant

REACH Compliant

12/17/2014

Plotted and Other Data

Notes:

N Male to TNC Female Adapter from Pasternack Enterprises has same day shipment for domestic and International orders. Our RF, microwave and millimeter wave products maintain a 99% availability and are part of the broadest selection in the industry.

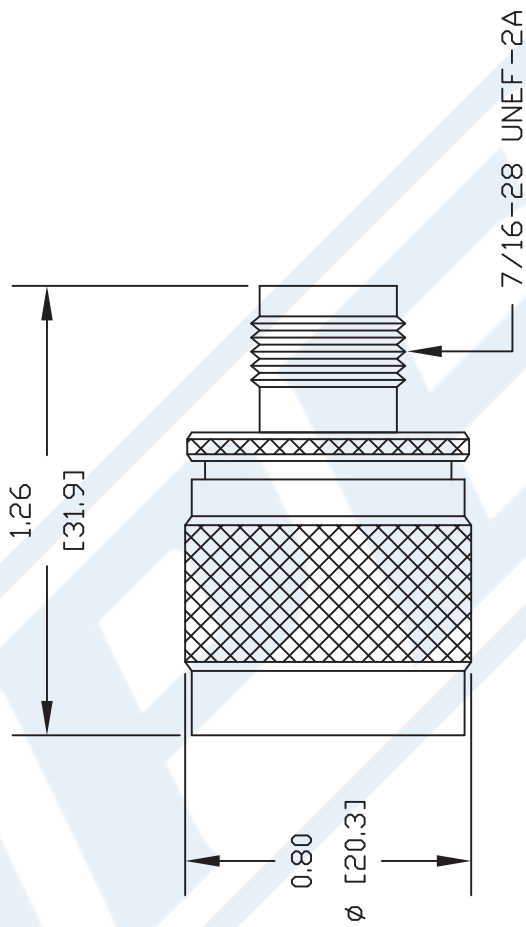
Click the following link (or enter part number in "SEARCH" on website) to obtain additional part information including price, inventory and certifications: [N Male to TNC Female Adapter PE9090](http://www.pasternack.com/n-male-tnc-female-straight-adapter-pe9090-p.aspx)

URL: <http://www.pasternack.com/n-male-tnc-female-straight-adapter-pe9090-p.aspx>

The information contained in this document is accurate to the best of our knowledge and representative of the part described herein. It may be necessary to make modifications to the part and/or the documentation of the part, in order to implement improvements. Pasternack reserves the right to make such changes as required. Unless otherwise stated, all specifications are nominal. Pasternack does not make any representation or warranty regarding the suitability of the part described herein for any particular purpose, and Pasternack does not assume any liability arising out of the use of any part or documentation.

PE9090 CAD Drawing

N Male to TNC Female Adapter



DWG TITLE

PE9090

NOTES:
 1. UNLESS OTHERWISE SPECIFIED ALL DIMENSIONS ARE NOMINAL.
 2. ALL SPECIFICATIONS ARE SUBJECT TO CHANGE WITHOUT NOTICE AT ANY TIME.
 3. DIMENSIONS ARE IN INCHES [mm].

REV. -

FSCM NO. 53919

CAD FILE 082602

SCALE N/A

SIZE A

127



PASTERNAK®
 Pasternack Enterprises, Inc.
 P.O. Box 16759 | Irvine | CA | 92623
Phone: (949) 261-1920 | **Fax:** (949) 261-7451
Website: www.pasternack.com | **E-Mail:** sales@pasternack.com