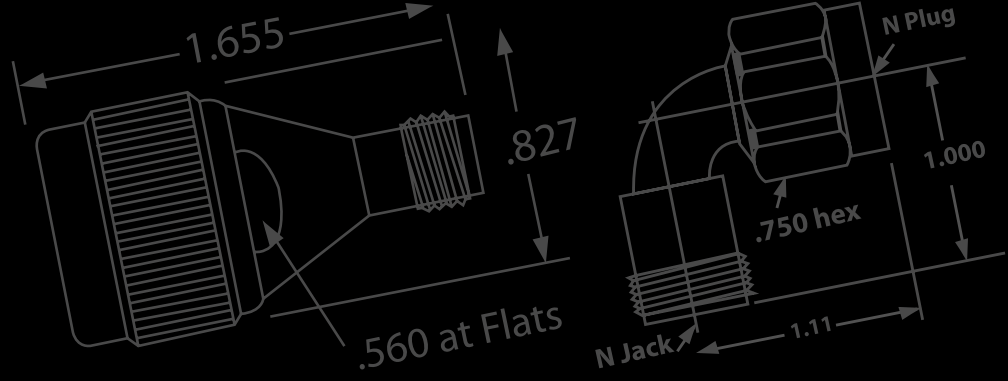
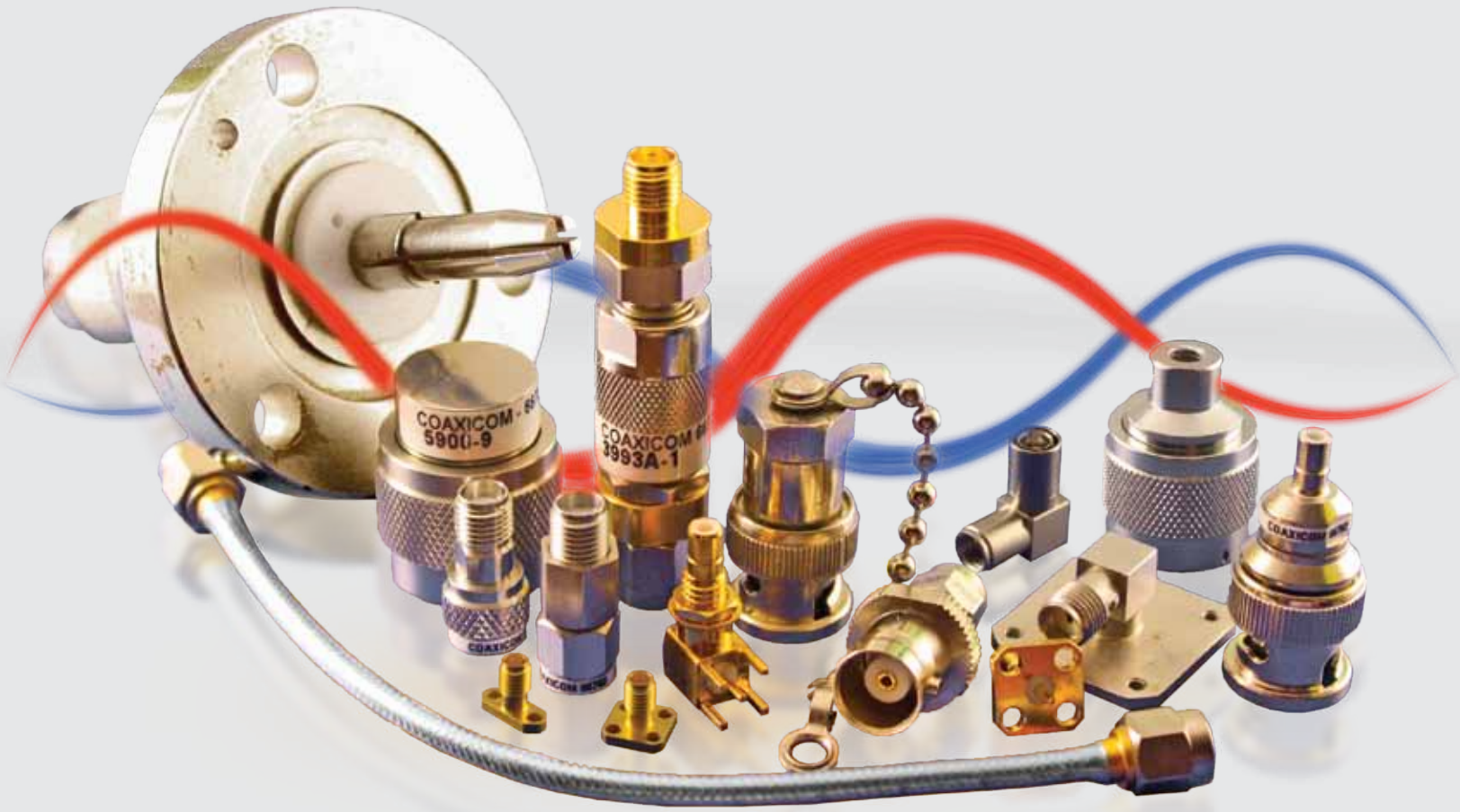




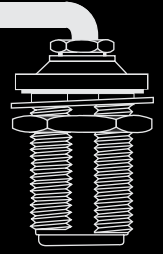
Established 1984 in Sunny Florida, USA
www.coaxicom.com



Coaxial Components Corp.



1.866.COAXICOM
1.866.(262.9426)



SMA Series Connectors	75 Ohm Snap On and Screw On (SMZ)	HN Series	Contact Factory
Specifications	Specifications	TWIN, TRIAX Series	Contact Factory
For Semi-Rigid Cable	For Cable	F Series	Contact Factory
For Flexible Cable	Resistive Terminations	C, SC Series	Contact Factory
Flange & Knurl Mount Recep	Adapters, Intra Series	LC, LT Series	Contact Factory
P.C. Board Receptacles		UHF and Mini UHF	Contact Factory
Field Replaceable/Hermetic Seal		FME	Contact Factory
Launchers & Pins		SHV, MHV Series	Contact Factory
Dust Caps			
Adapters, Intra Series			
SSMA Series Connectors	SSMB, SSMC AND SCMS (Slide-On) Series	Inter Series Adapters	
Specifications	Specifications	Precision and Non-Precision	67-72
For Semi-Rigid Cable	For Cable	75 Ohm and 50 Ohm	70
For Flexible Cable	Bulkhead Mount Recep	874 Series	69, 71
Flange Mount Receptacles	P.C. Board Receptacles	7 mm and 3.5 mm Series	67, 70, 72
Stripline Receptacles	Adapters, Intra Series	2.4 mm and 2.9 mm	67
P.C. Board Receptacles			
Adapters, Intra Series			
MCX and MMCX Series Connectors	BNC Series Connectors	Components	
Specifications	Specifications	Terminations	73
For Semi-Rigid Cable	For Cable	Fixed Attenuators	73, 74
For Flexible Cable	Flange Mount Receptacles	Phase Adjusters	74
P.C. Board Receptacles	Dust Caps	D.C. Blocks, Shorts	74
Adapters, Intra Series	Adapters, Intra Series		
SMB Series Connectors		Cable Assemblies	
Specifications		Semi-Rigid and Ultra-Flex	75
For Cable		High Performance	75
Receptacles and Stripline			
P.C. Board Receptacles		Tooling	
Cable Terminations		Torque Wrenches	Contact Factory
Adapters, Intra Series		Crimp Tools	Contact Factory
		Semi-Rigid Assy. Kits	Contact Factory
SMC Series Connectors	N Series Connectors		
Specifications	Specifications	Cross Reference (See Note)	
For Cable	For Cable	To AEP	76
Receptacles and Stripline	Receptacles	To Amphenol	81
Cable Terminations	Dust Caps	To CDI	90
Adapters, Intra Series	Adapters, Intra Series	To Huber + Suhner	91
		To Military	79, 91
CMS (Slide-On) Series Connectors	TNC Series	To Omni-Spectra/Ma-Com/Tyco	83
Specifications	Specifications	To ITT/Sealelectro	86
For Cable	For Cable	To Pasternack	80
Receptacles	Receptacles	To Solitron (SV Microwave)	88
P.C. Board Receptacles	Dust Caps		
Adapters, Intra Series	Adapters, Intra Series		
	7/16 DIN Series Connectors		
	Specifications		
	For Cable		
	Receptacles		
	Dust Caps		
	Adapters, Intra Series		

CROSS REFERENCE INFORMATION: Obviously, it is impossible to cross all the parts of any given manufacturer. Both our competitors and Coaxicom are constantly adding new parts, and updating the design of existing ones. We strongly encourage customers to contact us for parts not listed. We update our designs on a regular basis, add new ones, and occasionally change part numbers. Because of this, when you have crossed a competitor's part to a Coaxicom equivalent, please let us know both part numbers. This will help minimize misunderstandings and errors.

REVERSE THREAD AND REVERSE POLARITY: Many Coaxicom connectors and adapters are available in reverse polarity (RP) and reverse thread (RT) configurations identified by adding the suffix "RP" or "RT" to the basic part number. For example, a reverse polarity 3089-1-7 SMA plug would be a 3089RP-1-7, while the reverse threaded version would be 3039RT-1-7. They are also available in other series (Type N, TNC, and BNC). Consult factory for specific part number or type availability.

CONDITIONS OF SALE

STANDARDS: COAXICOM uses a calibration system traceable to the National Bureau of Standards. Our Quality Assurance and Inspection system is in accordance with MIL-1-45208 and follows the guidelines of ISO-9001.

TERMS: Major Credit Cards, C.O.D., Advance pay, or **Net 30 days** upon approval.

EXCHANGES & CREDITS: All Sales are final and thus, once order has been processed, they may not be returned for credit except as covered by the Limited Warranty. Order Cancellations or request to return merchandise are subject to a 30% Cancellation charge. All cable assemblies are made for each specific order and are not returnable.

REPAIRS: When returning items for any reason, please contact COAXICOM for shipping instructions and RMA number which must be on the outside of the box to avoid the box being refused by our Receiving Department.

LIMITED WARRANTY: All products are covered by a Limited Warranty for a period of 120 days from the date of shipment. This warranty is limited to the original purchaser, for the repair, replacement or credit, at COAXICOM's option, for any items found to be defective after inspection by COAXICOM. The warranties here stated are exclusive. We are not liable for consequential or incidental damage.

FOB: Our facility.

PRICES: All prices are subject to change without notice. Formal price quotations remain open for 45 days unless otherwise noted.

SPECIFICATIONS: Pictures and art work shown are only representative and may vary from the actual products. COAXICOM reserves the right to make, without notice, modifications of the products described in this catalog without effecting the right to sell such products under orders based on the catalog description, if the modifications shall not materially effect performance. We also reserve the right to withdraw from sale, without notice, any items described in our catalogs.

Cage Code: 66702

SMA SPECIFICATIONS



COAXICOM SMA CONNECTORS are manufactured to have excellent performance up to 18 GHz. The pages that follow include types that are used on coaxial cable (flexible, Ultra-Flex and semi-rigid), as launchers into stripline or microstrip, or as receptacles or bulkhead, panel and printed circuit board mounting. Also included are hermetically sealed devices and intra (within) series adapters.

Gold plated stainless steel or passivated (stainless finish) versions are standard in order to meet the finish and corrosion requirements of MIL-PRF-39012. Passivated stainless steel is specified with a suffix of -9 (soldering areas are gold plated as necessary). A suffix of -1 indicates gold plating. Where nickel plating is available, the suffix is -7.

Interface dimensions as well as all other applicable requirements are in accordance with MIL-PRF-39012 and other military standards where the need exists.

MILITARY SPECIFICATIONS

MIL-PRF-39012, MIL-A-55339, MIL-C-83517 and MIL-STD-348 as applicable

MATERIAL

Bodies, Coupling nut (except as noted)	Non magnetic stainless steel per ASTM-A-582, type 303
Center Contacts	Beryllium Copper per ASTM-B-196, heat treated per MIL-H-7199. Gold plated per MIL-PRF-39012 IAW MIL-G-45204
Plating	Gold plated or passivated to meet the corrosion requirements of MIL-PRF-39012
Insulators	TFE Fluorocarbon per ASTM-D-1457
Weatherproof Gaskets	Silicone rubber per ZZ-R-765 class 2B, grade 65-75
Lockwashers	Stainless steel, internal tooth supplied with bulkhead mounted connectors
Crimp Ferrules	Brass

ELECTRICAL*

Impedance	50 Ω
Frequency Range	DC-18 GHz
Voltage Rating	500 VRMS for specific types
Dielectric Withstanding Voltage	1000 VRMS Per MIL-STD-202, method 301 for specific types
VSWR	1.15 max where applicable
Contact Resistance	Center: 2.0 milliohms Body: 2.0 milliohms Braid to body: 0.5 milliohms
Insulation Resistance	5,000 megohms (min.)
RF Leakage	-(100-fGHz) dB
Insertion Loss (-dB)	.03x√f(GHz) max.

* Characteristics are typical and may not apply to all connectors.

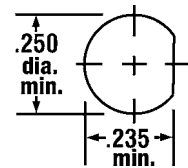
MECHANICAL

Engage/Disengage	2 inch-pounds max
Coupling Proof Torque	15 inch-pounds max
Cable Retention	60 pounds minimum. Bending and twisting requirements do not apply
Connector Durability	500 cycles of insertion and withdrawal

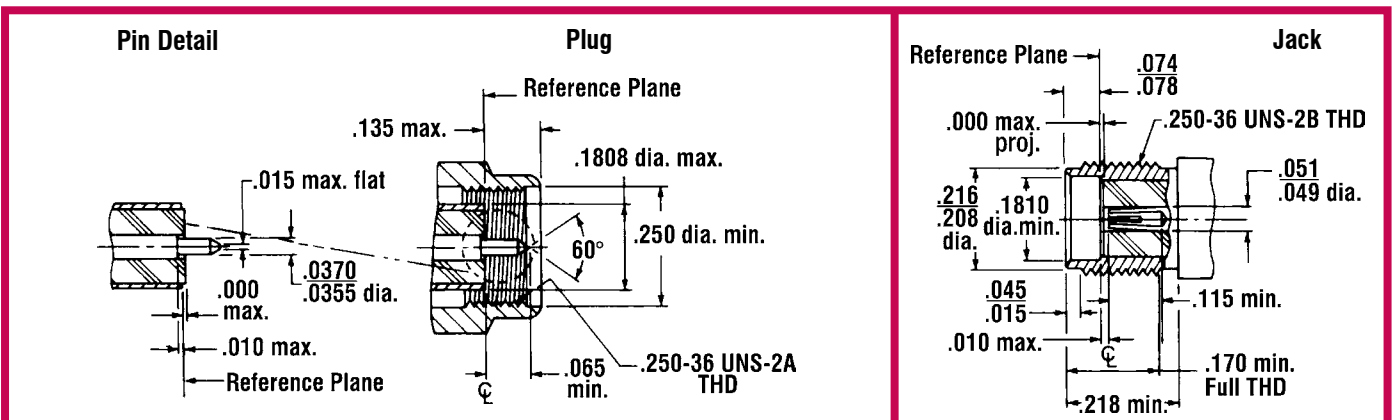
ENVIRONMENTAL

Temperature	ñ 65° to +165° C ñ 85° to +299° F
Hermetic Seals	Helium Leakage test 10 ⁻⁷ cc/sec
Shock	MIL-STD-202, method 213, test condition I
Vibration	MIL-STD-202, method 204, test condition D
Moisture Resistance	MIL-STD-202, method 106, (high humidity does not apply)
Corrosion	MIL-STD-202, method 101, test condition B, 5% salt solution
Thermal Shock	MIL-STD-202, method 107, test condition B, high temperature test @ 200°C
Altitude	MIL-STD-202, method 105, test condition C, at 375 VRMS, no corona at 70,000 feet

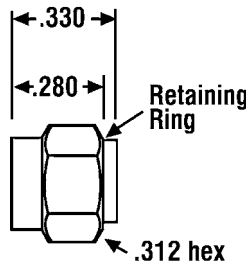
BULKHEAD MOUNTING SPECIFICATIONS: (UNLESS NOTED)



SMA INTERFACE DIMENSIONS



STRAIGHT PLUG

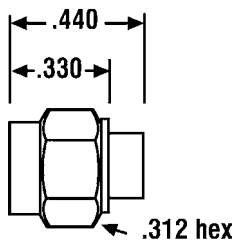


FOR SEMI-RIGID OR ULTRA-FLEX CABLE

MODEL	3183-1-*	3183-3-*	3183P-3-*	3133-*	3136-*
CABLE	RG402 M17/130 .141	RG405 M17/133 .085	Supplied Pre-Assembled RG405 M17/133 .085	M17/151 .047	M17/154 .034
NOTES	use cable for center contact	center contact provided	center contact provided	center contact provided	center contact provided

NOTES: solder to body, retractable coupling nut

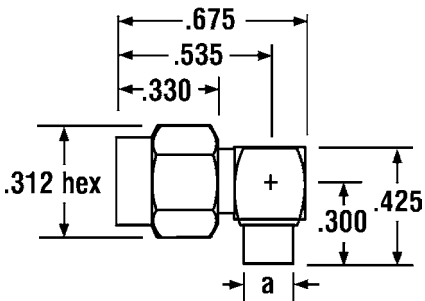
STRAIGHT PLUG



FOR SEMI-RIGID OR ULTRA-FLEX CABLE

MODEL	3207-1-*	3201-1A-*	3201-2A-*
CABLE	RG402, M17/130 .141	RG402, M17/130 .141	RG405, M17/133 .085
NOTES	center contact and insulator provided solder to body	use cable for center contact and insulator solder to body	center contact and insulator provided solder to body

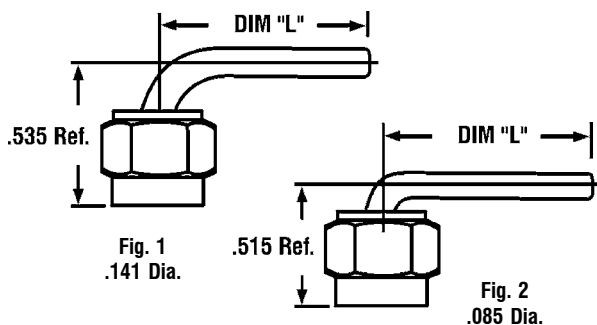
RIGHT ANGLE PLUG



FOR SEMI-RIGID OR ULTRA-FLEX CABLE

MODEL	3221-1A-1	3221-2A-1	3221-3A-1	3221-5-*
CABLE	RG402, M17/130 .141	RG405, M17/133 .085	M17/151 .047	RG401, M17/129 .250
a (min) =	.143	.088	.049	.253
NOTES	solder to body	solder to body	solder to body	solder to body

RIGHT ANGLE BEND CABLE ASSEMBLY



FOR SEMI-RIGID CABLE

MODEL	3221-1-L	3221-2-L
CABLE	RG402, M17/130 .141	RG405, M17/133 .085
NOTES	FIG. 1 ▲ L = cable length in inches	FIG. 2 ▲ L = cable length in inches
Low Profile, Improved VSWR, Pre-Assembled		

▲ Customer Specified

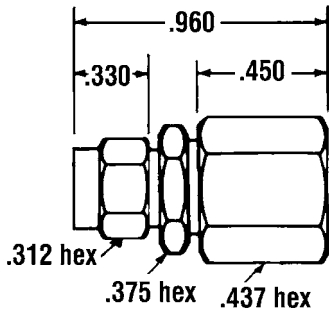
* -1 indicates gold plated stainless steel all over.

-9 indicates passivated (stainless finish) except in areas where gold plating is required for solderability.

SMA COAXIAL CONNECTORS



STRAIGHT PLUG

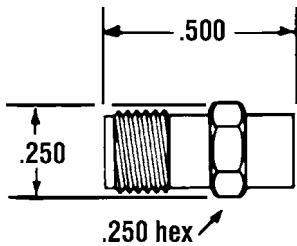


FOR SEMI-RIGID OR ULTRA-FLEX CABLE

MODEL	3933-1A-*	3933-2A-*	3201-5C-*
CABLE	RG402, M17/130 .141	RG405, M17/133 .085	RG401, M17/129 .250
NOTES	drawing not shown solder clamp attachment		compression clamp per drawing shown also see Note 1

Note 1: on part 3201-5C-*, remove C from part number for direct solder type.

STRAIGHT JACK

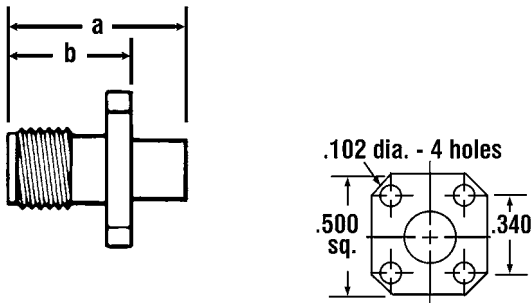


FOR SEMI-RIGID OR ULTRA-FLEX CABLE

MODEL	3202-1A-1	3202-2A-1	3202-3A-1	3202-42C-1	3202-5-*
CABLE	RG402, M17/130 .141	RG405, M17/133 .085	M17/151 .047	M17/154 .034	RG401, M17/129 .250 <i>drawing not shown</i>
NOTES	solder to body				compression clamp also see Note 1

Note 1: on part 3202-5C-*, remove C from part number for direct solder type.

FLANGE MOUNT JACK

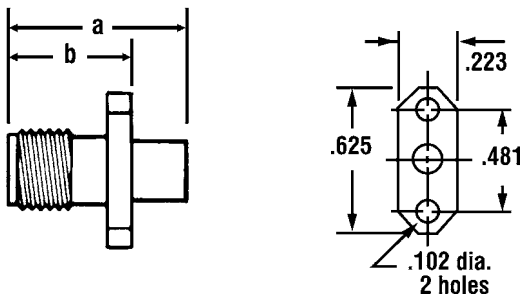


FOR SEMI-RIGID OR ULTRA-FLEX CABLE

MODEL	3206-1-1	3206S-1-1	3206-2-1	3206S-2-1	3134-2-1	3134-*
CABLE	RG402, M17/130 .141	RG402, M17/130 .141	RG405, M17/133 .085	RG405, M17/133 .085	.070	M17/151 .047
a =	.560	.55	.500	.55	.440	.440
b =	.375	.375	.375	.375	.375	.375
NOTES	solder to body					

"S" in part number indicates that the back of the flange has a raised shoulder (not shown).

FLANGE MOUNT JACK



FOR SEMI-RIGID OR ULTRA-FLEX CABLE

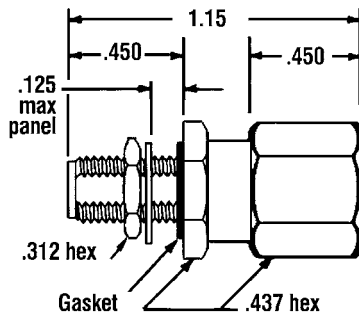
MODEL	3246-1-1	3246S-1-1	3246-2-1	3246S-2-1	3135-*	3135-42D-*
CABLE	RG402, M17/130 .141	RG402, M17/130 .141	RG405, M17/133 .085	RG405, M17/133 .085	M17/151 .047	.070
a =	.560	.55	.500	.55	.440	.440
b =	.375	.375	.375	.375	.375	.375
NOTES	solder to body					

"S" in part number indicates that the back of the flange has a raised shoulder (not shown).

* -1 indicates gold plated stainless steel all over.

-9 indicates passivated (stainless finish) except in areas where gold plating is required for solderability.

BULKHEAD JACK

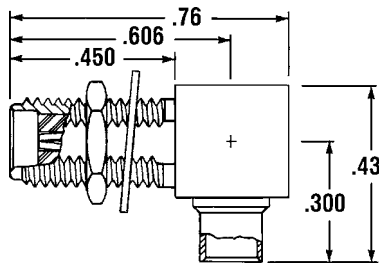


FOR SEMI-RIGID OR ULTRA-FLEX CABLE

MODEL	3928-1A-*	3928-2A-*	3147-*	3147B-*
CABLE	RG402, M17/130 .141	RG405, M17/133 .085	RG401, M17/129 .250	.325
NOTES	drawing not shown solder clamp attachment	drawing not shown solder clamp attachment	as shown	clamp nut is .50 hex
	compression clamp			

Connectors for 3 and 5 spline .250 diameter cable are available. Consult Coaxicom.

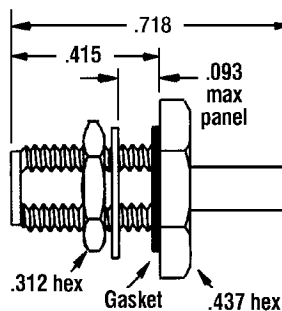
RIGHT ANGLE BULKHEAD JACK



FOR SEMI-RIGID OR ULTRA-FLEX CABLE

MODEL	3222-1A-*	3222-2A-*	3222-3A-*
CABLE	RG402, M17/130 .141	RG405, M17/133 .085	M17/151 .047
NOTES	direct solder attachment	direct solder attachment	direct solder attachment

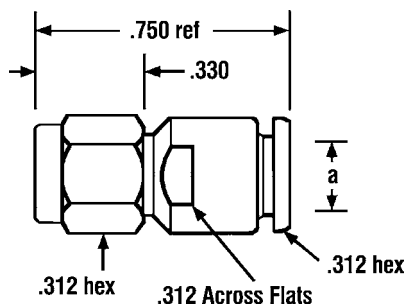
BULKHEAD JACK



FOR SEMI-RIGID OR ULTRA-FLEX CABLE

MODEL	3210-1-1	3210-2-1	3210-3-1	3210A-1-1	3210A-2-1	3210A-3-1
CABLE	RG402, M17/130 .141	RG405, M17/133 .085	M17/151 .047	RG402, M17/130 .141	RG405, M17/133 .085	M17/151 .047
NOTES	solder to body	solder to body	solder to body	.312 hex no gasket solder to body	.312 hex no gasket solder to body	.312 hex no gasket solder to body

STRAIGHT PLUG



FOR FLEXIBLE CABLE

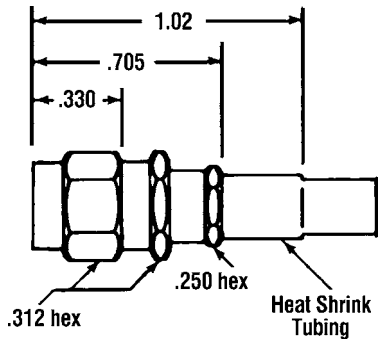
MODEL	3917-1-*	3917-3-*	3917-4-*	3917-5-*	3917-29-*
CABLE	RG55, 58, 141, 142, 223, 303, 400 LMR195	RG174, 179, 187, 188, 316 LMR100A	RG180, 195	RG178, 196	RG188DS, 316DS
a =	.220	.116	.160	.080	.116
NOTES	wedge clamp	wedge clamp	wedge clamp	wedge clamp	wedge clamp

* -1 indicates gold plated stainless steel all over.
 -9 indicates passivated (stainless finish) except in areas where gold plating is required for solderability.
 SEE SPECIFICATION SHEET FOR MOUNTING HOLE SIZE.

SMA COAXIAL CONNECTORS



STRAIGHT PLUG

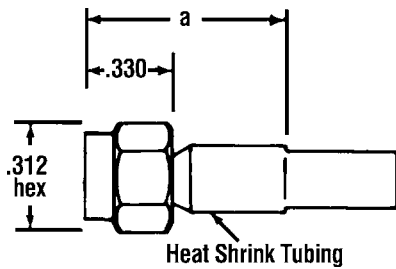


FOR FLEXIBLE CABLE

MODEL	3601-1-*	3601-2-*	3601-3-*	3601-4-*	3601-5-*
CABLE	RG55, 142, 223, 400, LMR195	RG58, 141, 303, LMR195	RG174, 179, 187, 188, 316, LMR100A	RG180/U, 195	RG178, 196
NOTES	crimp/clamp	crimp/clamp	crimp/clamp	crimp/clamp	crimp/clamp

CAPTIVE CONTACT

STRAIGHT PLUG

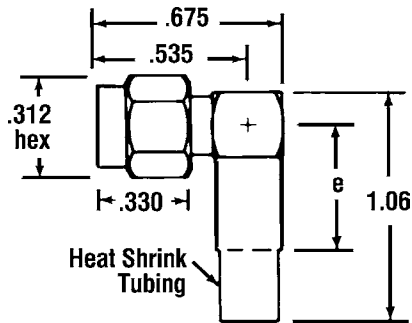


FOR FLEXIBLE CABLE

MODEL	3089-1-*	3089-2-*	3089-3-*	3089-4-*	3089-5-*	3089-28-*	3089-29-*
CABLE	RG55, 142, 223, 400, LMR195	RG58, 141, 303	RG174, 179, 187, 188, 316, LMR100A	RG180, 195	RG178, 196	RG59, 62	RG174DS, 188DS, 316DS
a =	.810	.810	.690	.690	.690	.690	.690
NOTES	crimp or solder						

NOTE: For crimp version (passivated only) add suffix "C"

RIGHT ANGLE PLUG

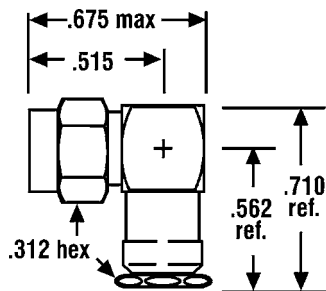


FOR FLEXIBLE CABLE

MODEL	3090-1-*	3090-2-*	3090-3-*	3090-4-*	3090-5-*	3090-29-*
CABLE	RG55, 142, 223, 400, LMR195	RG58, 141, 303	RG174, 179, 187, 188, 316, LMR100A	RG180, 195	RG178, 196	RG174DS, 188DS, 316DS
e =	.605	.605	.440	.440	.440	.475
NOTES	crimp or solder	crimp or solder	crimp or solder	crimp or solder	crimp or solder	crimp or solder

NOTE: For crimp version (passivated only) add suffix "C"

RIGHT ANGLE PLUG

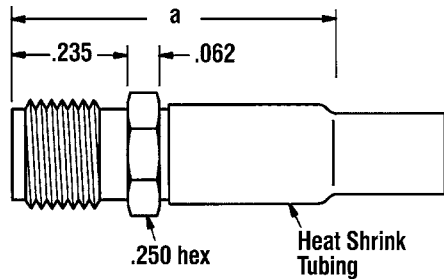


FOR FLEXIBLE CABLE

MODEL	3911A-1-*	3911A-3-*	3911A-4-*	3911-9
CABLE	RG55, 58, 141, 142, 223, 303, 400, LMR195	RG174, 179, 187, 188, 316, LMR100A	RG180, 195	RG188DS, 316DS
NOTES	clamp type	clamp type	clamp type	clamp type

* -1 indicates gold plated stainless steel all over. For Reverse Polarized, add RP to part number. For Reverse Threaded, add RT to Part number. Parts are brass in both cases.
 -9 indicates passivated (stainless ref.) except in areas where gold plating is required for solderability.

STRAIGHT JACK

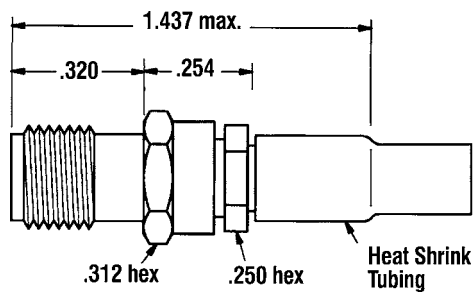


FOR FLEXIBLE CABLE

MODEL	3091-1-*	3091-2-*	3091-3-*	3091-4-*	3091-5-*
CABLE	RG55, 142, 223, 400, LMR195	RG58, 141, 303, LMR195	RG174, 179, 187, 188, 316, LMR100A	RG180, 195	RG178, 196
a =	.830	.830	.700	.800	.800
NOTES	crimp or solder	crimp or solder	crimp or solder	crimp or solder	crimp or solder

NOTE: For crimp version (passivated only) add suffix "C"

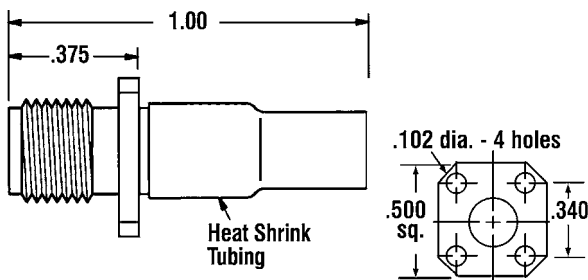
STRAIGHT JACK



FOR FLEXIBLE CABLE

MODEL	3602-1-*	3602-2-*	3602-3-*	3602-4-*	3602-5-*
CABLE	RG55, 142, 223, 400, LMR195	RG58, 141, 303, LMR195	RG174, 179, 187, 188, 316, LMR100A	RG180, 195	RG178, 196
NOTES	crimp/clamp	crimp/clamp	crimp/clamp	crimp/clamp	crimp/clamp

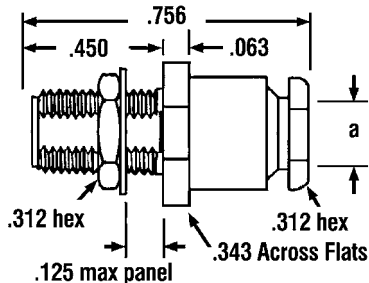
FLANGE MOUNT JACK



FOR FLEXIBLE CABLE

MODEL	3146-1-1	3146-2-1	3146-3-1
FLANGE	4 hole	4 hole	4 hole
CABLE	RG55, 142, 223, 400, LMR195	RG58, 141, 303, LMR195	RG174, 179, 187, 188, 316, LMR100A
NOTES	crimp or solder	crimp or solder	crimp or solder

BULKHEAD JACK



FOR FLEXIBLE CABLE

MODEL	3905-1-*	3905-2-*	3905-3-*	3905-4-*	3905-5-*	3905-29-*
CABLE	RG55, 142, 223, 400	RG58, 141, 303, LMR195	RG174, 179, 187, 188, 316, LMR100A	RG180, 195	RG178, 196,	RG174DS, RG188DS, RG316DS
a =	.220	.220	.115	.160	.085	.140
NOTES	wedge clamp	wedge clamp	wedge clamp	wedge clamp	wedge clamp	wedge clamp

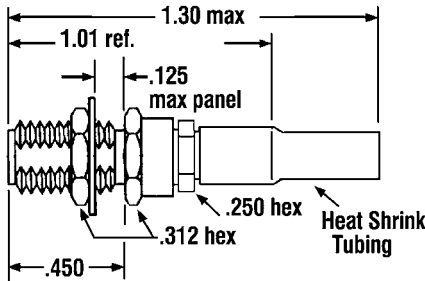
*-1 indicates gold plated stainless steel all over.

-9 indicates passivated (stainless finish) except in areas where gold plating is required for solderability.

SMA COAXIAL CONNECTORS



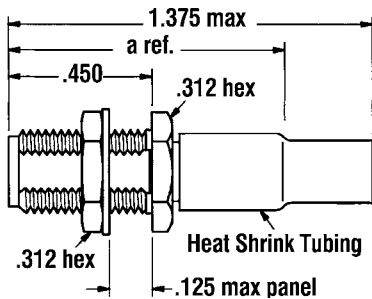
BULKHEAD JACK



FOR FLEXIBLE CABLE

MODEL	3610-1-*	3610-2-*	3610-3-*	3610-4-*	3610-5-*	3610-29-*
CABLE	RG55, 142, 223, 400, LMR195	RG58, 141, 303	RG174, 179, 187, 188, 316, LMR100A	RG180, 195	RG178, 196	RG174DS, RG188DS, RG316DS
NOTES	captive contact crimp/clamp	captive contact crimp/clamp	captive contact crimp/clamp	captive contact crimp/clamp	captive contact crimp/clamp	captive contact crimp/clamp

BULKHEAD JACK

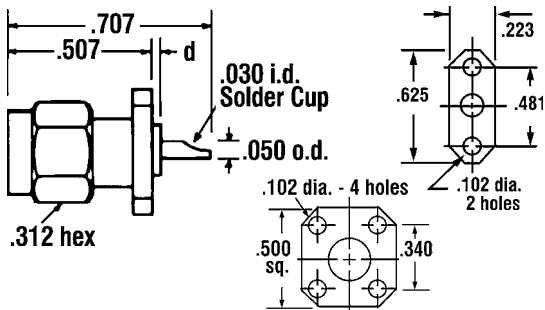


FOR FLEXIBLE CABLE

MODEL	3088-1-*	3088-2-*	3088-3-*	3088-4-*	3088-5-*
CABLE	RG55, 142, 223, 400, LMR195	RG58, 141, 303	RG174, 179, 187, 188, 316, LMR100A	RG180, 195	RG178, 196
a =	.945	.945	.825	.945	.945
NOTES	non-captive contact crimp or solder	non-captive contact crimp or solder	non-captive contact crimp or solder	non-captive contact crimp or solder	non-captive contact crimp or solder

NOTE: For crimp version (passivated only) add suffix "C"

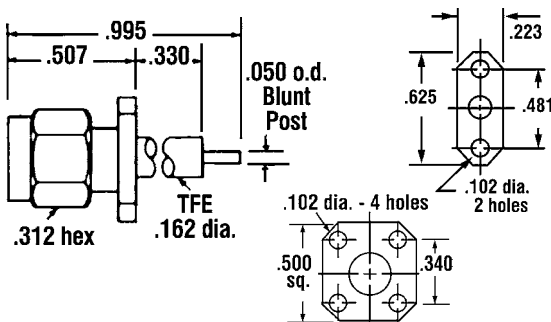
FLANGE MOUNT PLUG



RECEPTACLE

MODEL	3111-1-*	3111-2-*	3112-1-*	3112-2-*
FLANGE	4 hole	4 hole	2 hole	2 hole
d =	0.0	.025	0.0	.025
NOTES	captive contact without exposed TFE solder cup	captive contact with exposed TFE solder cup	captive contact without exposed TFE solder cup	captive contact with exposed TFE solder cup

FLANGE MOUNT PLUG



RECEPTACLE

MODEL	3214CC-*	3214-*	3117CC-*	3117-*
FLANGE	4 hole	4 hole	2 hole	2 hole
NOTES	captive contact blunt post	non-captive contact blunt post	captive contact blunt post	non-captive contact blunt post

Add "M" to part no. for .010 O.D. post and .085 DIA. TFE (Example: 3214MCC-*)

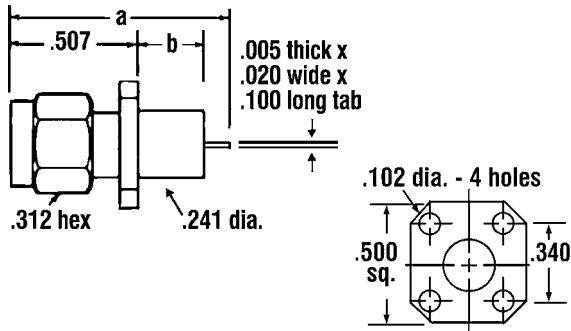
Add suffix E to PN for epoxy captivation on 3214CC-* and 3217CC-*.

ie: 3214CCE-* and 3217CCE-*.

*-1 indicates gold plated stainless steel all over.

-9 indicates passivated (stainless finish) except in areas where gold plating is required for solderability.

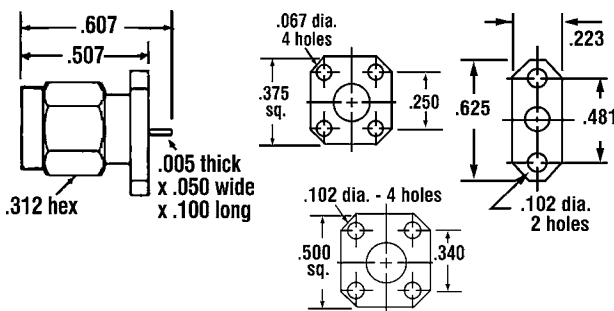
FLANGE MOUNT PLUG



RECEPTACLE

MODEL	3127M-*	3128M-*	3129M-*
FLANGE	4 hole	4 hole	4 hole
a =	.700	.732	.794
b =	.093	.125	.187
NOTES	tab-terminal captive contact	tab-terminal captive contact	tab-terminal captive contact

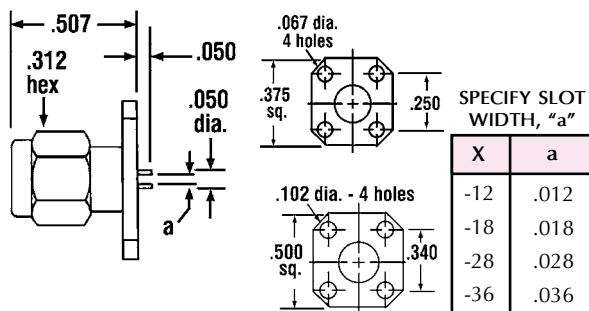
FLANGE MOUNT PLUG



RECEPTACLE

MODEL	3144-3CC-*	3122-*	3926I-CC-*	3926J-CC-*
FLANGE	4 hole .500 sq.	4 hole .375 sq.	2 hole	2 hole
NOTES	tab terminal captive contact	tab terminal captive contact	horizontal tab terminal captive contact	vertical tab terminal captive contact

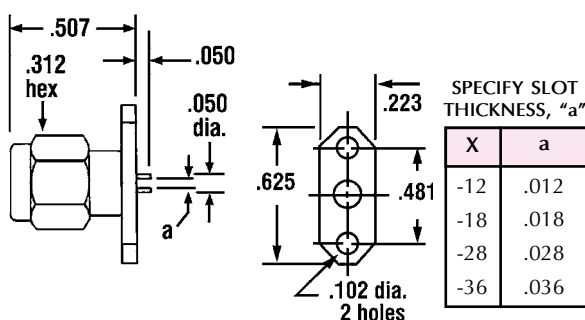
FLANGE MOUNT PLUG



RECEPTACLE

MODEL	3923CC-X-*	3923-X-*	3922CC-X-*	3922-X-*
FLANGE	4 Hole .500 sq.	4 Hole .500 sq.	4 Hole .375 sq.	4 Hole .375 sq.
a =	see table	see table	see table	see table
NOTES	slot terminal captive contact	slot terminal non-captive contact	slot terminal captive contact	slot terminal captive contact

FLANGE MOUNT PLUG



RECEPTACLE

MODEL	3249CC-X-*	3249ACC-X-*	3249-X-*
FLANGE	2 Hole	2 Hole	2 Hole
a =	see table	see table	see table
NOTES	horizontal slot terminal captive contact	vertical slot terminal captive contact	horizontal slot terminal non-captive contact

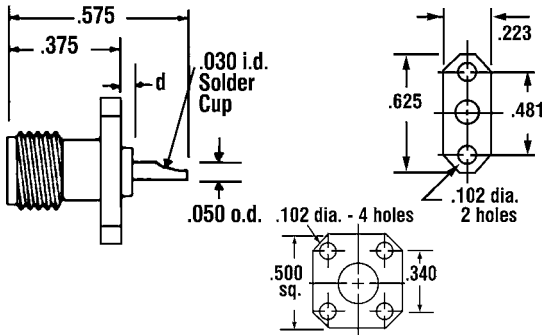
* -1 indicates gold plated stainless steel all over.

-9 indicates passivated (stainless finish) except in areas where gold plating is required for solderability.

SMA COAXIAL CONNECTORS



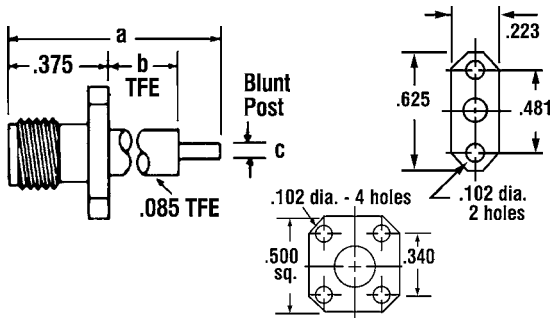
FLANGE MOUNT JACK



RECEPTACLE

MODEL	3215-*	3244-2-*	3244-2F-*
FLANGE	4 hole	2 hole	2 hole
d =	0.0	.025	0.0
NOTES	captive contact solder cup	captive contact solder cup	captive contact solder cup

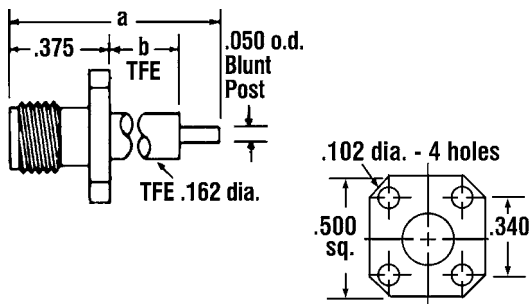
FLANGE MOUNT JACK



RECEPTACLE

MODEL	3123-*	3124-*	3244-6-*	3244-7-*	3991A-CC-*
FLANGE	4 hole	4 hole	2 hole	2 hole	2 hole
a =	.550	.482	.550	.482	.475
b =	.125	.057	.125	.057	0.0
c =	.010	.010	.010	.010	.010
NOTES	captive contact	captive contact	captive contact	captive contact	captive contact

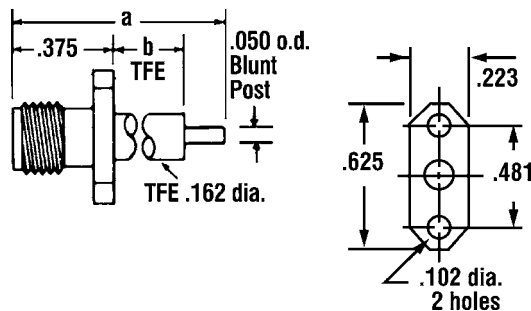
FLANGE MOUNT JACK



RECEPTACLE

MODEL	3204CC-*	3204LCC-*	3123A-CC-*	3124A-CC-*	3204-*
FLANGE	4 hole	4 hole	4 hole	4 hole	4 hole
a =	1.080	2.99	.550	.482	1.080
b =	.590	2.50	.125	.057	.590
NOTES	captive contact	captive contact	captive contact	captive contact	non-captive contact

FLANGE MOUNT JACK



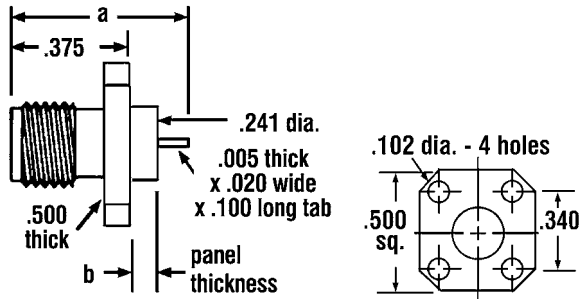
RECEPTACLE

MODEL	3000-*	3000CC-*	3244A-6-*
FLANGE	2 hole	2 hole	2 hole
a =	1.080	1.080	.550
b =	.590	.590	.125
NOTES	non-captive contact	captive contact	captive contact

* -1 indicates gold plated stainless steel all over.

-9 indicates passivated (stainless finish) except in areas where gold plating is required for solderability.

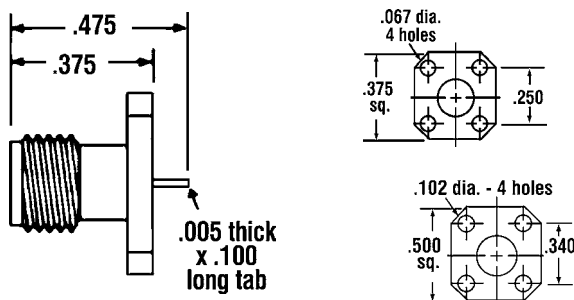
FLANGE MOUNT JACK



RECEPTACLE

MODEL	3127-*	3128-*	3129-*
FLANGE	4 hole	4 hole	4 hole
a =	.568	.600	.662
b =	.093	.125	.187
NOTES	tab terminal captive contact	tab terminal captive contact	tab terminal captive contact

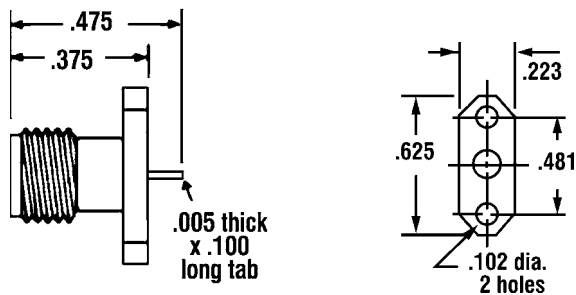
FLANGE MOUNT JACK



RECEPTACLE

MODEL	3215-3CC-*	3215-3-*	3215-5CC-*	3121-*
FLANGE	4 hole .500 sq.	4 hole .500 sq.	4 hole .500 sq.	4 hole .375 sq.
NOTES	tab terminal captive contact .050 wide tab	tab terminal non-captive contact .050 wide tab	tab terminal captive contact .020 wide tab	tab terminal captive contact .050 wide tab

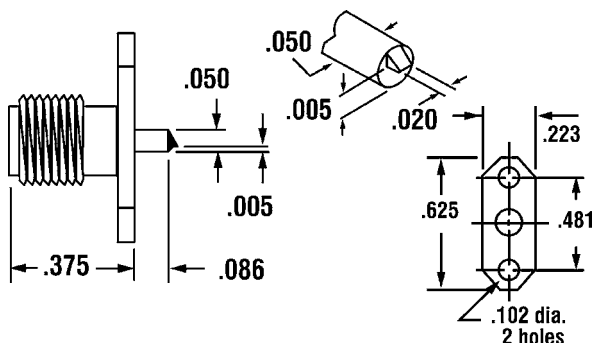
FLANGE MOUNT JACK



RECEPTACLE

MODEL	3244-3CC-*	3244-3-*	3244B-3CC-*	3244-5C-*
FLANGE	2 hole	2 hole	2 hole	2 hole
NOTES	horizontal tab terminal captive contact .050 wide tab	horizontal tab terminal non-captive contact .050 wide tab	vertical tab terminal captive contact .050 wide tab	horizontal tab terminal captive contact .025 wide tab

FLANGE MOUNT JACK



RECEPTACLE

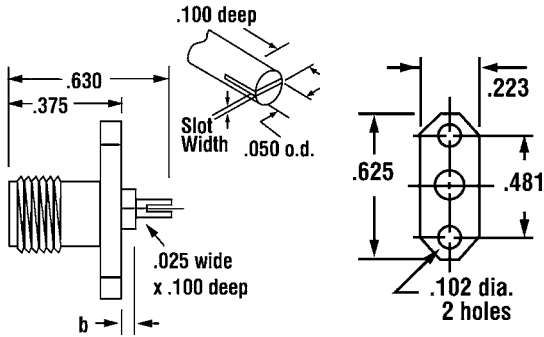
MODEL	3244-4A-*
FLANGE	2 hole
NOTES	captive contact compression terminal

* -1 indicates gold plated stainless steel all over.

-9 indicates passivated (stainless finish) except in areas where gold plating is required for solderability.



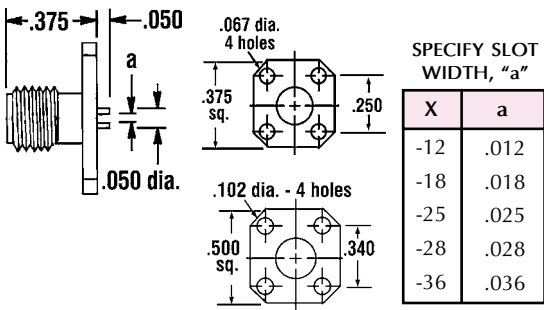
FLANGE MOUNT JACK



RECEPTACLE

MODEL	3244-1-*	3244-1CC-*	3244-1ACC-*	3244-8-*
FLANGE	2 hole	2 hole	2 hole	2 hole
b =	.030	.030	.030	0.0
NOTES	non-captive contact slot terminal	captive contact vertical slot terminal	captive contact slot terminal	captive contact horizontal slot terminal

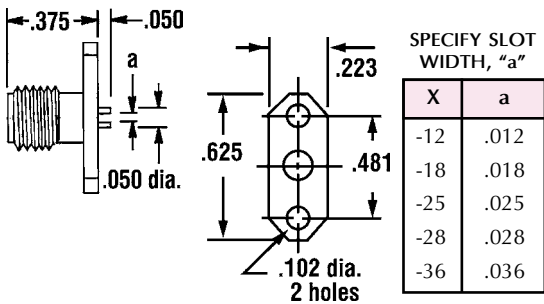
FLANGE MOUNT JACK



RECEPTACLE

MODEL	3919CC-X-*	3919-X-*	3918CC-X-*	3918-X-*
FLANGE	4 hole .500 sq.	4 hole .500 sq.	4 hole .375 sq.	4 hole .375 sq.
a =	see table	see table	see table	see table
NOTES	slot terminal captive contact	slot terminal non-captive contact	slot terminal captive contact	slot terminal non-captive contact

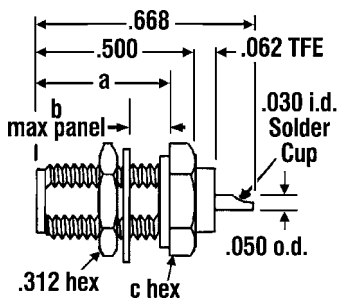
FLANGE MOUNT JACK



RECEPTACLE

MODEL	3250CC-X-*	3250ACC-X-*	3250-X-*
FLANGE	2 hole	2 hole	2 hole
a =	see table	see table	see table
NOTES	horizontal slot terminal captive contact	vertical slot terminal captive contact	slot terminal non-captive contact

BULKHEAD JACK

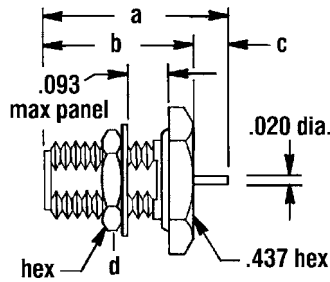


RECEPTACLE

MODEL	3211-*	3211A-*	3211B-*	3212-*
a =	.450	.415	.415	.415
b =	.125	.093	.093	.093
c =	.312	.437	.312	.437
NOTES	rear mount no gasket	rear mount no gasket	rear mount no gasket	rear mount gasket

* -1 indicates gold plated stainless steel all over.
 -9 indicates passivated (stainless finish) except in areas where gold plating is required for solderability.
 SEE SPECIFICATION SHEET FOR MOUNTING HOLE SIZE.

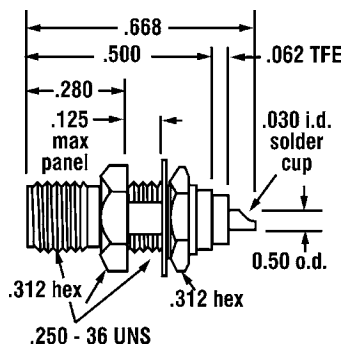
BULKHEAD JACK



RECEPTACLE

MODEL	3721-*	3721A-*
a =	.615	.625
b =	.415	.415
c =	.115	.115
d =	.375	.312
NOTES	rear mount blunt post - gasket hermetically sealed	rear mount blunt post - gasket hermetically sealed

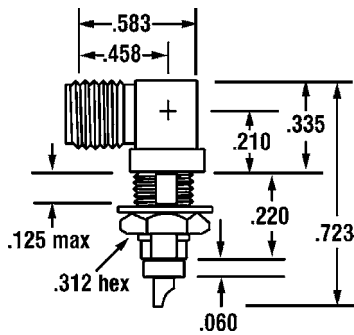
BULKHEAD JACK



RECEPTACLE

MODEL	3118-*
NOTES	front mount solder cup no gasket

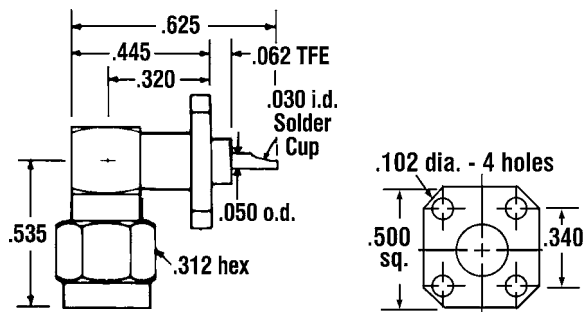
BULKHEAD RIGHT ANGLE JACK



RECEPTACLE

MODEL	3126-*
NOTES	front mount solder cup no gasket

FLANGE MOUNT RIGHT ANGLE PLUG



RECEPTACLE

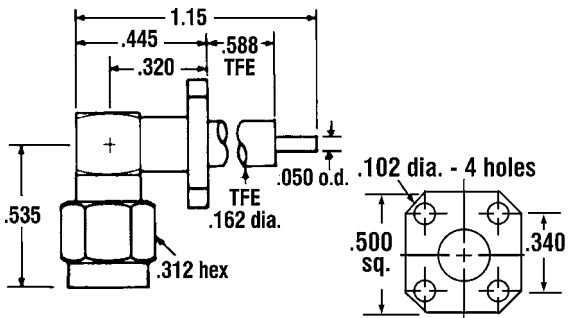
MODEL	3150-*
FLANGE	4 hole
NOTES	solder cup

* -1 indicates gold plated stainless steel all over.
 -9 indicates passivated (stainless finish) except in areas where gold plating is required for solderability.
 SEE SPECIFICATION SHEET FOR MOUNTING HOLE SIZE.

SMA COAXIAL CONNECTORS

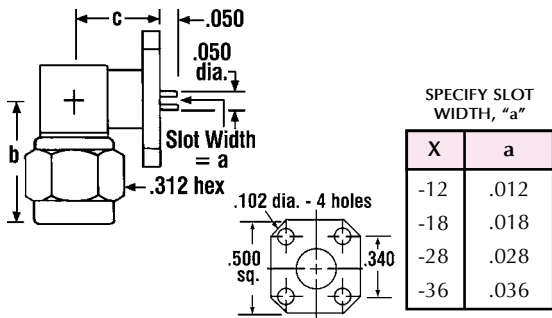


FLANGE MOUNT RIGHT ANGLE PLUG



RECEPTACLE

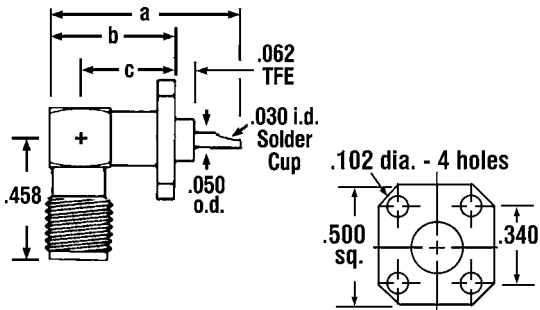
MODEL	3151-*
FLANGE	4 hole
NOTES	blunt post



RECEPTACLE

MODEL	3152-1-X-*	3152-1A-X-*	3152-2-X-*	3152-2A-X-*
a =	see table	see table	see table	see table
b =	.500	.500	.427	.427
c =	.380	.380	.312	.312
NOTES	DC - 12.4 GHz horizontal slot terminal	DC - 12.4 GHz vertical slot terminal	DC - 18 GHz horizontal slot terminal	DC - 18 GHz vertical slot terminal

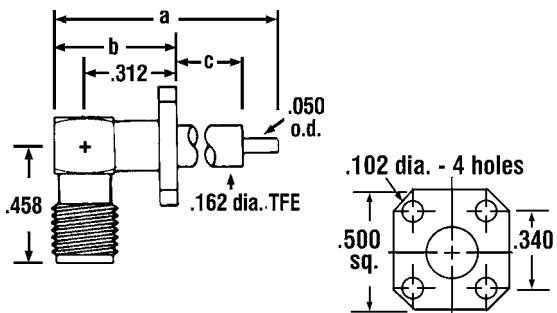
FLANGE MOUNT RIGHT ANGLE JACK



RECEPTACLE

MODEL	3224-*	3224L-*
a =	.685	.550
b =	.505	.360
c =	.380	.240
NOTES	solder cup	solder cup low profile

FLANGE MOUNT RIGHT ANGLE JACK



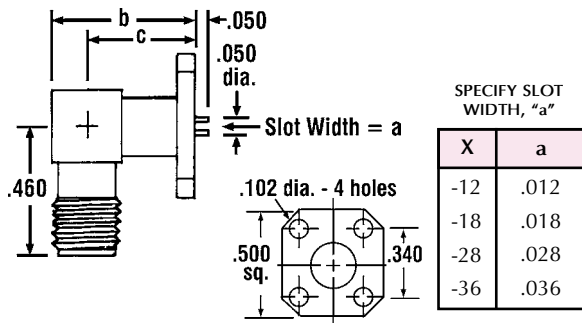
RECEPTACLE

MODEL	3116-*	3116-1-*	3116-2-*	3116-3-*	3116-4-*
a =	1.14	.835	.795	.680	.935
b =	.437	.505	.505	.505	.505
c =	.590	.240	.240	.130	.350
NOTES	blunt post				

* -1 indicates gold plated stainless steel all over.

-9 indicates passivated (stainless finish) except in areas where gold plating is required for solderability.

FLANGE MOUNT RIGHT ANGLE JACK

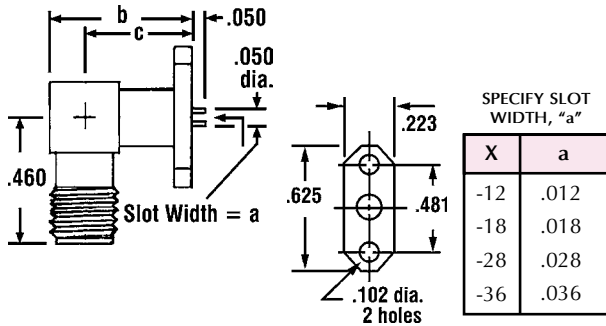


RECEPTACLE

MODEL	3225-1-X-*	3225-1A-X-*	3225-2-X-*	3225-2A-X-*
b =	.505	.505	.437	.437
c =	.380	.380	.312	.312
NOTES	DC-12.4 GHz horizontal slot terminal	DC-12.4 GHz vertical slot terminal	DC-18 GHz horizontal slot terminal	DC-18 GHz vertical slot terminal

Horizontal Slot Shown

FLANGE MOUNT RIGHT ANGLE JACK



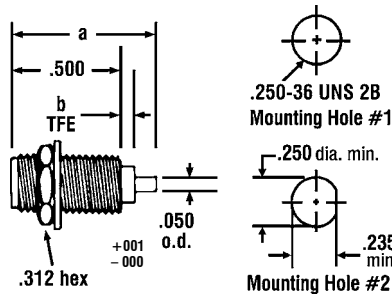
RECEPTACLE

MODEL	3226-1#-X-*	3226-1A#-X-*	3226-2#-X-*	3226-2A#-X-*
b =	.505	.505	.505	.505
c =	.380	.380	.312	.312
NOTES	DC-12.4 GHz horizontal slot terminal	DC-12.4 GHz vertical slot terminal	DC-18 GHz horizontal slot terminal	DC-18 GHz vertical slot terminal

Add Suffix "R" or "L" for 45° right or 45° left flange contact orientation respectively. Reference is with the connector pointing down, while being viewed from the contact side of the flange.

Horizontal Slot Shown

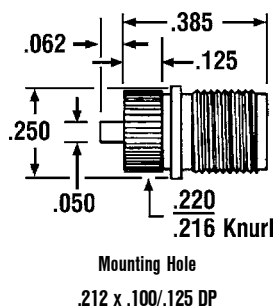
BULKHEAD FRONT/REAR MOUNT JACK



RECEPTACLE

MODEL	3220-*	3220A-*	3220-1-*	3220A-1-*
a =	.660	.660	.668	.668
b =	.076	.076	.062	.062
MOUNTING HOLE	1	2	1	2
NOTES	blunt post captive contact without flat	blunt post captive contact with flat	two lock nuts solder pot captive contact without flat	two lock nuts solder pot captive contact with flat

PRESS FIT FRONT MOUNT JACK



RECEPTACLE

MODEL	3109CC-*
NOTES	blunt post captive contact

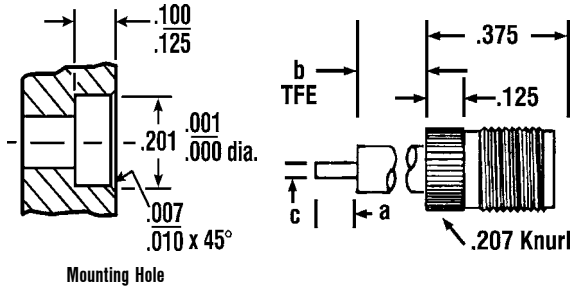
* -1 indicates gold plated stainless steel all over.

-9 indicates passivated (stainless finish) except in areas where gold plating is required for solderability.

SMA COAXIAL CONNECTORS



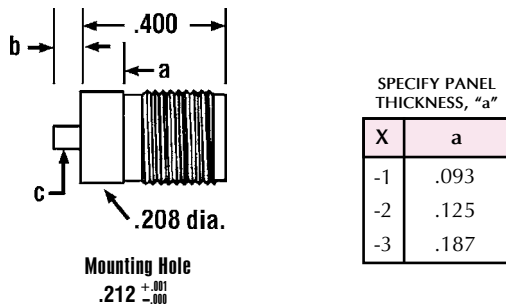
PRESS FIT FRONT MOUNT JACK



RECEPTACLE

MODEL	3109-1-*	3109CC-1-*	3109PCC-*	3904-*	3904CC-*
a =	.115	.115	.200	.100	.100
b =	.590	.590	0.0	0.0	0.0
c =	.050	.050	.050 o.d. x .030 i.d.	.005 thick x .050 wide tab	.005 thick x .050 wide tab
NOTES	blunt post non-captive contact	blunt post captive contact	solder pot captive contact	tab terminal non-captive contact	tab terminal captive contact

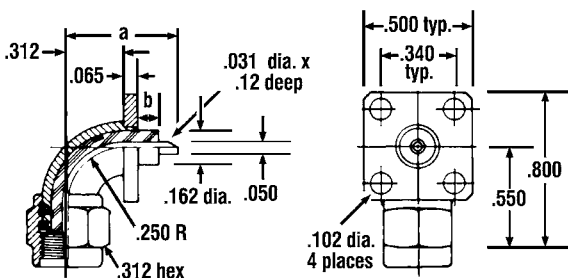
PANEL SOLDER FRONT MOUNT JACK



RECEPTACLE

MODEL	3110CC-X-1	3110ACC-X-1	3110BCC-X-1
a =	see table	see table	see table
b =	.100	.115	.115
c =	.005 thick x .020 wide	.020 dia.	.010 dia.
NOTES	tab terminal captive contact	blunt post captive contact	blunt post captive contact

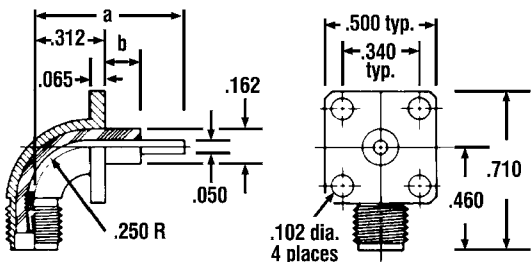
SWEPT RADIUS RIGHT ANGLE PLUG



RECEPTACLE

MODEL	3458-*	3459-*	3463-*
a =	.488	.687	1.017
b =	.090	.100	.590
NOTES	.030 D x .125 deep solder pot	straight contact .050 dia.	straight extended contact .050 dia.

SWEPT RADIUS RIGHT ANGLE JACK



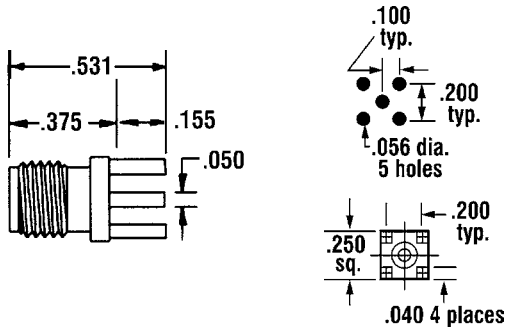
RECEPTACLE

MODEL	3451-*	3452-*	3453-*	3454-*	3455-*	3456-*	3457-*
a =	1.017	.488	.612	.522	1.212	.622	.386
b =	.590	.090	.100	.210	.710	0.0	0.0
NOTES	extended straight contact	.030 D x .125 deep solder pot	extended straight contact	probe type straight contact flush with insulator	multi- purpose extended contact	extended contact flush insulator	extended contact flush insulator

* -1 indicates gold plated stainless steel all over.

-9 indicates passivated (stainless finish) except in areas where gold plating is required for solderability.

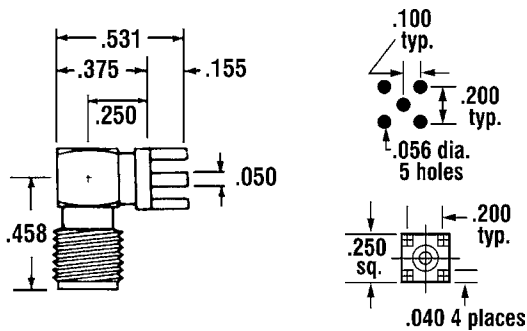
STRAIGHT JACK



P.C. MOUNT

MODEL	3115-1	3115B-1	3115EM-1	3115EM-1-1
NOTES	Thru-board (shown)	Thru-board bulkhead (not shown)	Edge mount, .032" board (not shown)	Edge mount, .062" board (not shown)

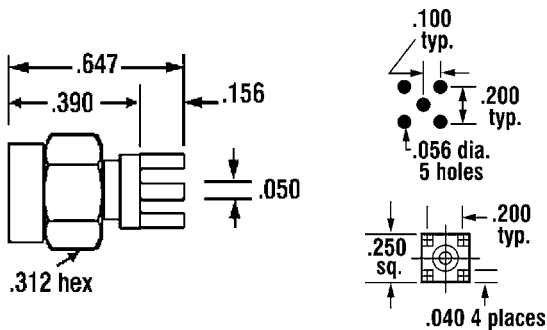
RIGHT ANGLE JACK



P.C. MOUNT

MODEL	3114-1	3114P-1
NOTES	PC mount (shown)	Bulkhead PC mount (not shown)

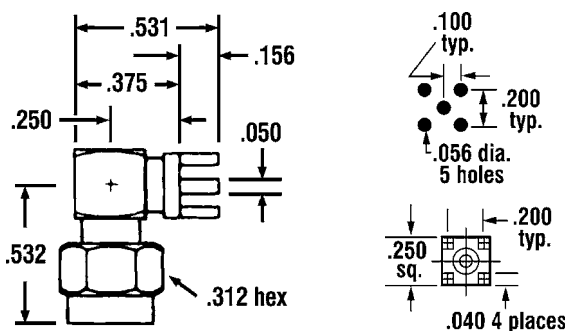
STRAIGHT PLUG



P.C. MOUNT

MODEL	3148-1
NOTES	PC mount

RIGHT ANGLE PLUG



P.C. MOUNT

MODEL	3149-1
NOTES	PC mount

* -1 indicates gold plated stainless steel all over.

-9 indicates passivated (stainless finish) except in areas where gold plating is required for solderability.

SMA FIELD REPLACEABLE CONNECTORS



FEATURES:

- Manufactured per MIL-PRF-39012
- Stainless Steel Construction
- Frequency: DC to 18 GHz
- With or without EMI gasket
- Precision TNC and N Types are also available. Consult factory.

FLANGE TYPES			
.375 SQ. 	.500 SQ. 	.375 X .500 	.223 X .625

CONNECTOR	ACCEPTS PIN DIA.	MODEL	MODEL	MODEL	MODEL
JACK MATING	.012	3131K-12-*	3131-12-*	3142-12-*	3130-12-*
	.015	3131K-15-*	3131-15-*	3142-15-*	3130-15-*
	.018	3131K-18-*	3131-18-*	3142-18-*	3130-18-*
	.020	3131K-20-*	3131-20-*	3142-20-*	3130-20-*
	.036	3131K-36-*	3131-36-*	3142-36-*	3130-36-*
PLUG MATING	.012	3310K-12-*	3310-12-*	3310Y-12-*	3311-12-*
	.015	3310K-15-*	3310-15-*	3310Y-15-*	3311-15-*
	.018	3310K-18-*	3310-18-*	3310Y-18-*	3311-18-*
	.020	3310K-20-*	3310-20-*	3310Y-20-*	3311-20-*
	.036	3310K-36-*	3310-36-*	3310Y-36-*	3311-36-*
RIGHT ANGLE JACK MATING	.012	N/A	3927F-12-*	3927FY-12-*	3927FA(#)-12-*
	.015		3927F-15-*	3927FY-15-*	3927FA(#)-15-*
	.018		3927F-18-*	3927FY-18-*	3927FA(#)-18-*
	.020		3927F-20-*	3927FY-20-*	3927FA(#)-20-*
	.036		3927F-36-*	3927FY-36-*	3927FA(#)-36-*
RIGHT ANGLE PLUG MATING	.012	N/A	3927M-12-*	3927MY-12-*	3927MA(#)-12-*
	.015		3927M-15-*	3927MY-15-*	3927MA(#)-15-*
	.018		3927M-18-*	3927MY-18-*	3927MA(#)-18-*
	.020		3927M-20-*	3927MY-20-*	3927MA(#)-20-*
	.036		3927M-36-*	3927MY-36-*	3927MA(#)-36-*
FEMALE SOCKET SOLDER CONTACT	DIRECT SOLDER FLANGE FOR .047 SEMI-RIGID CABLE				
	.012	3147K-12-1	3147-12-1	3147Y-12-1	3147A-12-1
	.015	3147K-15-1	3147-15-1	3147Y-15-1	3147A-15-1
	.018	3147K-18-1	3147-18-1	3147Y-18-1	3147A-18-1
FEMALE SOCKET CAPTIVE CONTACT	DIRECT SOLDER FLANGE FOR .085 SEMI-RIGID CABLE				
	.012	3185K-12-1	3185-12-1	3185Y-12-1	3185A-12-1
	.015	3185K-15-1	3185-15-1	3185Y-15-1	3185A-15-1
	.018	3185K-18-1	3185-18-1	3185Y-18-1	3185A-18-1
	.020	3185K-20-1	3185-20-1	3185Y-20-1	3185A-20-1

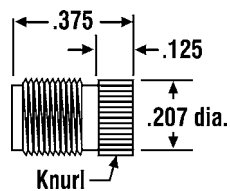
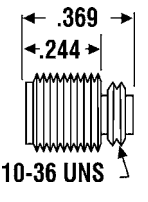
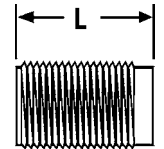
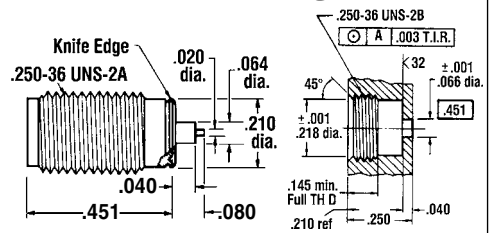
NOTES: For EMI gasket add suffix "E" to part number. Example 3130E-12-*

add suffix: With contact facing down; "R" for 45° right; "L" for 45° left; leave blank for 90° horizontal contact orientation.

Nominal pin diameter show; Flange thickness is .065 for all flange types; insulators are flush to flange.

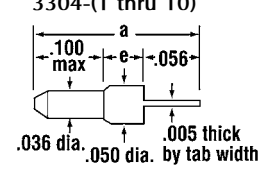
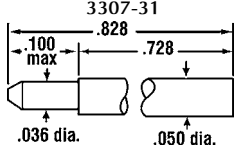
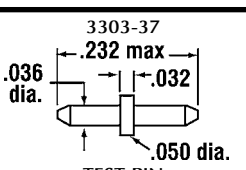
Other connector configurations are available; contact COAXICOM.

* -1 indicates gold plated stainless steel body, -9 indicates passivated (stainless steel).

FEED-THROUGH CONNECTORS (ACCEPTS PIN LENGTH OF 0.100")			HERMETIC
3533-#-*	3935A-#-*	3137-#-*	3137AB-20-9
KNURL MOUNT 	SCREW-IN INSERT 	DIRECT SCREW-IN 3137A-#-* (L = .500) 3137B-#-* (L = .825) 	KNIFE EDGE 

NOTES: 3533-#-* Uses the same mounting hole as that shown on the top left of page 17. Can be used with 3309-# series of hermetic seals.
 # - Add suffix for pin diameter. ie: "20" for .020, "36" for .036.
 *:-1 for gold plated stainless steel body, -9 for passivated stainless steel body.

TRANSITION PINS, INSULATORS & SEALS

3304-(1 thru 10)	Panel or Package Wall Thickness	Dimensions, inches (mm)		Model	Model						
		a	e	.020 Tab Width	.050 Tab Width						
 TAB TERMINAL	Flush	.173	.017	3304-1	3304-2						
	.062	.236	.080	3304-3	3304-4						
	.125	.298	.142	3304-5	3304-6						
	.187	.361	.205	3304-7	3304-8						
	.250	.423	.267	3304-9	3304-10						
3305-(11 thru 25)				Model	Model	Model					
				.012 Slot Width	.018 Slot Width	.028 Slot Width					
		Flush	.173	.017	3305-11	3305-12	3305-13				
		.062	.236	.080	3305-14	3305-15	3305-16				
		.125	.298	.142	3305-17	3305-18	3305-19				
		.187	.361	.205	3305-20	3305-21	3305-22				
.250	.423	.267	3305-23	3305-24	3305-25						
3306-(26 thru 30)				Model	 3307-31						
		Flush	.173	.017		3306-26					
		.062	.236	.080		3306-27					
		.125	.298	.142		3306-28					
		.187	.361	.205		3306-29					
		.250	.423	.267		3306-30					
3308-(32 thru 36)				Model	 3303-37						
		.062	.070	3308-32							
		.125	.132	3308-33							
		.187	.195	3308-34							
		.250	.257	3308-35							
		Up to .625	.625	3308-36							
3309-(38 thru 42)				Model	a	b	c	d	e	f	g
				3309-38	.020	.036	.158	.075	.060	.185	.320
				3309-39	.020	.020	.158	.060	.060	.203	.323
				3309-40	.018	.018	.110	.072	.060	.180	.315
				3309-41	.015	.015	.097	.072	.060	.180	.312
				3309-42	.012	.012	.097	.072	.060	.180	.315

NOTES: All transition pins are gold plated.
 Special types are available; contact factory.
 Kovar Glass hermetic seal has a gold plated pin that may be soldered directly into the package providing leakage less than 10⁻⁸ cc/sec.

SMA INTRA SERIES ADAPTERS



ADDITIONAL ADAPTER TYPES (NOT SHOWN), ARE USUALLY AVAILABLE FROM STOCK. PLEASE CONTACT COAXICOM.

FREQUENCY: DC- 18GHz VSWR: 1.25 MAX			
<p>3218-*</p> <p>MALE TO MALE</p> <p>.312 hex .218 across 2 flats</p> <p>3218Q-*=Slide on Version</p>	<p>3217-*</p> <p>FEMALE TO FEMALE</p> <p>.218 across 2 flats</p> <p>3217Q-9=Slide on Version</p>	<p>3125-*</p> <p>FEMALE TO FEMALE WITH KNURL</p> <p>.265</p>	<p>3216-*</p> <p>MALE TO FEMALE</p> <p>.312 hex .218 across 2 flats</p> <p>3216Q-*=Slide on Version</p>

<p>3216Q-*</p> <p>FEMALE TO MALE SLIDE- ON</p> <p>Slide-on Plug</p> <p>Screw-on Jack</p> <p>.375 dia. max</p> <p>.218 across flats</p>	<p>3209A-*</p> <p>BULKHEAD FEMALE TO FEMALE</p> <p>.250 max panel</p> <p>.375 hex</p> <p>.250-36 UNS-2A hex</p>	<p>3132-*</p> <p>2 HOLE FLANGE MOUNT FEMALE TO FEMALE</p> <p>.690</p> <p>.380</p> <p>.625</p> <p>.223</p> <p>.625</p> <p>.481</p> <p>.102 dia.</p>	<p>3145-*</p> <p>4 HOLE FLANGE MOUNT FEMALE TO FEMALE</p> <p>.690</p> <p>.380</p> <p>.500 sq.</p> <p>.102 dia. 4 holes</p> <p>.340</p>
--	---	--	--

FREQUENCY: DC - 18 GHz VSWR: 1.25 MAX			
<p>3912-*</p> <p>RADIUS (SWEEP) MALE TO FEMALE</p> <p>.550</p> <p>.460</p>	<p>3085-*</p> <p>RIGHT ANGLE MALE TO MALE</p> <p>.675</p> <p>.550</p> <p>.675</p> <p>.312 hex</p> <p>.550</p>	<p>3119-*</p> <p>RIGHT ANGLE FEMALE TO FEMALE</p> <p>.585</p> <p>.460</p> <p>.585</p> <p>.460</p>	<p>3208A-*</p> <p>BULKHEAD FEMALE TO FEMALE HERMETIC SEALED</p> <p>.875</p> <p>.550</p> <p>.190 max panel</p> <p>.500 dia. dia. .312 min.</p> <p>.375 hex</p> <p>.312-32 UNEF-2A</p> <p>.295 min.</p>

UNMATCHED POWER DIVIDERS			
<p>3219A-*</p> <p>RIGHT ANGLE MALE TO FEMALE</p> <p>.625</p> <p>.500</p> <p>.585</p> <p>.458</p> <p>.312 hex</p>	<p>3086-*</p> <p>FEMALE - FEMALE - FEMALE</p> <p>.920</p> <p>.585</p> <p>.460</p>	<p>3087-*</p> <p>FEMALE - MALE - FEMALE</p> <p>.920</p> <p>.625</p> <p>.500</p>	<p>3163-*</p> <p>MALE - FEMALE - MALE</p> <p>1.06</p> <p>.535</p> <p>.410</p>

* -1 indicates gold plated stainless steel all over.

-9 indicates passivated (stainless finish) except in areas where gold plating is required for solderability.

For Reverse Polarized, add "RP" to part number, for Reverse Threaded add "RT" to part number. (In both cases, the body material is brass).

COAXICOM SSMA CONNECTORS are available for both semi-rigid and flexible coaxial cable, and are usable to beyond 26 GHz. The series was initially designed for .085 semi-rigid, and the male contact is the same diameter as the center conductor of the cable. This allows the use of the cable center conductor as the mating pin for optimized VSWR where required.

COAXICOM SSMA connectors are also available as panel mount, bulk-head mount, in stripline and microstrip interfaces, printed circuit board mounting, and as hermetically sealed connectors. This broad selection, plus the availability of within and between series adapters provide complete design flexibility to the user.

MILITARY SPECIFICATIONS

MIL-PRF-39012, MIL-A-55339, MIL-C-83517 and MIL-STD-348 as applicable.

MATERIAL

Bodies, Coupling nut (except as noted)	Non magnetic stainless steel per ASTM-A-582, type 303
Center Contacts	Beryllium Copper per ASTM-B-196, heat treated per MIL-H-7199. Gold plated per MIL-PRF-39012, IAW MIL-G-45204
Plating	Gold plated or passivated to meet the corrosion requirements of MIL PRF-39012
Insulators	TFE Fluorocarbon per ASTM-D-1457
Weatherproof Gaskets	Silicone Rubber per ZZ-R-765 class 2B, grade 65-75
Mounting Hardware	Stainless Steel
Crimp Ferrules	Brass

ELECTRICAL*

Nominal Impedance	50 Ω
Frequency Range	D.C. to 26.0 GHz
Voltage Rating	500V VRMS
Dielectric With-standing Voltage	750V VRMS
VSWR	1.05 + .005 x fGHz max
Contact Resistance	Outer Contact: 2.0 milliohms maximum Center Contact: 4.0 milliohms Maximum
Insulation Resistance	5000 megaohms min.
RF Leakage	[Minimum dB down] 100 dB - fGHz
Insertion Loss (max.)	Straight: .04dB x √fGHz Right Angle: .06dB x √fGHz
Temp. Rating	-65° C to +165° C

* These characteristics are typical and may not apply to all connectors.

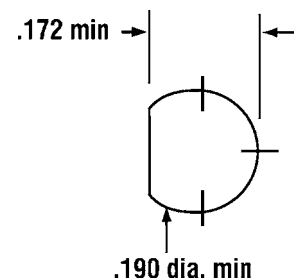
MECHANICAL

Engage/Disengage	2.0 lbs. max
Female Contact Axial Forces	Insertion: 40.0 oz max Withdrawal: 1.0 oz min.
Connector Durability	500 cycles min.
Contact Retention	6 lbs. axial

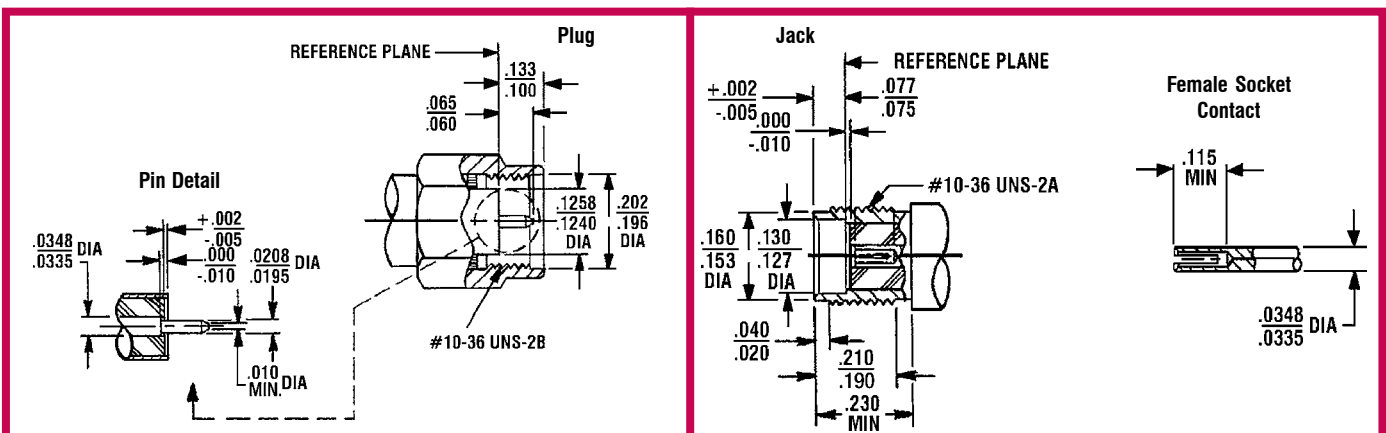
ENVIRONMENTAL

Temperature Cycling	MIL-STD-202 Method 107, Cond. B
Shock	MIL-STD-202 Method 213, Cond. I
Vibration	MIL-STD-202 Method 204, Cond. D
Moisture Resistance	MIL-STD-202 Method 106, [Less Step 7b]
Corrosion [Salt Spray]	MIL-STD-202 Method 101, Cond. B
Barometric Pressure	MIL-STD-202 Method 105, Cond. C @ 70,000 ft

BULKHEAD MOUNTING SPECIFICATIONS



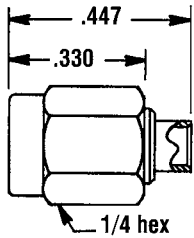
SSMA INTERFACE DIMENSIONS



SSMA COAXIAL CONNECTORS FOR SEMI-RIGID CABLE



STRAIGHT PLUG

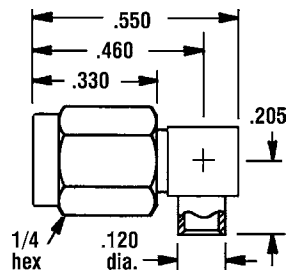


7136, 7133, 7000

FOR SEMI-RIGID OR ULTRA-FLEX CABLE

MODEL	7136-*	7133-*	7000-1-*	7251-2-*
CABLE	M17/154 .034	M17/151 .047	RG405 .085	RG405, M17/133 .085
NOTES	center contact provided solder to body			The inner cable conductor is used as the center contact.

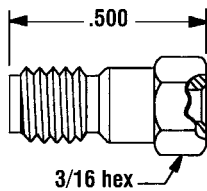
RIGHT ANGLE PLUG



FOR SEMI-RIGID OR ULTRA-FLEX CABLE

MODEL	7271-2-*	7221-3A-*	7221-42C-*
CABLE	RG405, M17/133 .085	M17/151 .047	M17/154 .034
NOTES	solder to body		

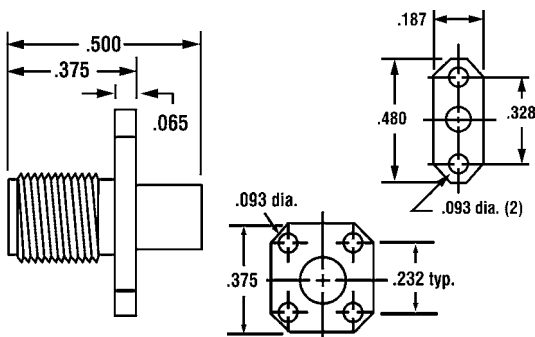
STRAIGHT JACK



FOR SEMI-RIGID OR ULTRA-FLEX CABLE

MODEL	7252-2-*	7202-3A-*	7202-42C-*
CABLE	RG405, M17/133 .085	M17/151 .047	M17/154 .034
NOTES	solder to body		

FLANGE MOUNT JACK



FOR SEMI-RIGID OR ULTRA-FLEX CABLE

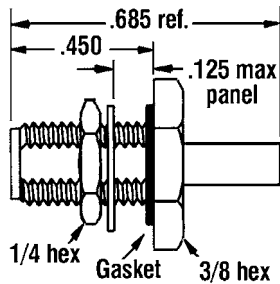
MODEL	7256-2-*	7134-*	7246-2-*	7135-*
CABLE	RG405, M17/133 .085	M17/151 .047	RG405 .085	M17/151 .047
NOTES	four hole solder to body		two hole solder to body	

XX -SEE NOTE ON SPECIFICATION SHEET FOR PERFORMANCE, MATERIAL AND MOUNTING HOLE SIZE;

* -1 indicates gold plating, -9 indicates passivated (stainless finish) except in areas where gold plating is required for solderability.

SSMA COAXIAL CONNECTORS FOR SEMI-RIGID & FLEXIBLE CABLES

BULKHEAD JACK

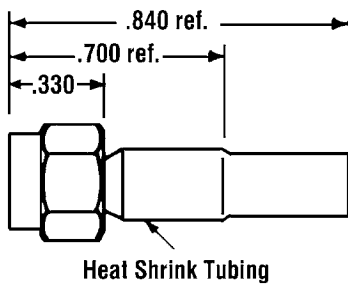


FOR SEMI-RIGID OR ULTRA-FLEX CABLE

MODEL	7260-2-*	7210-3-*	7210-42C-*
CABLE	RG405 .085	M17/151 .047	M17/154 .034

Screw in hermetic seal
Bulkhead jack available as 7143-1 (not pictured)

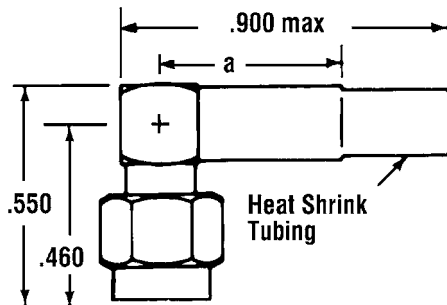
STRAIGHT PLUG



FOR FLEXIBLE CABLE

MODEL	7551-3-*	7551-5-*	7551-29-*	7003-3-*	7003-5-*
CABLE	RG174, 188, 316/U	RG178, 196/U	RG188DS, 316DS	RG174, 188, 316/U	RG178, 196/U
NOTES	non-captive contact crimp or solder	non-captive contact crimp or solder	non-captive contact crimp or solder	captive contact crimp or solder	captive contact crimp or solder

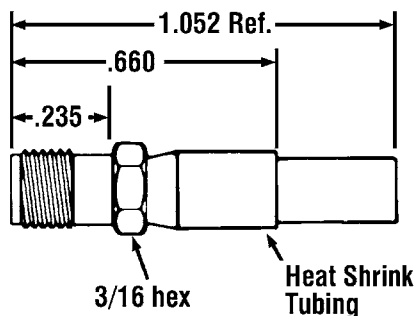
RIGHT ANGLE PLUG



FOR FLEXIBLE CABLE

MODEL	7090C-3-*	7090C-5-*	7090-3-*	7090-5-*
CABLE	RG174, 188, 316/U	RG178, 196/U	RG174, 188, 316/U	RG178, 196/U
Dim A:	.525	.400	.400	.525
NOTES	crimp	crimp	crimp/solder	crimp/solder

STRAIGHT JACK



FOR FLEXIBLE CABLE

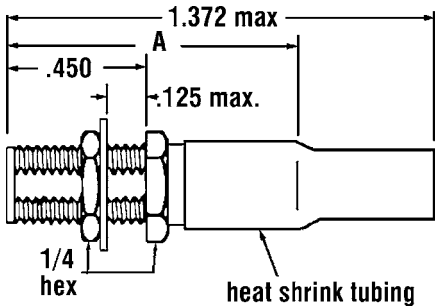
MODEL	7552-3-*	7552-5-*	7004-3-*	7004-5-*
CABLE	RG174, 188, 316/U	RG178, 196/U	RG174, 188, 316/U	RG178, 196/U
NOTES	non-captive contact crimp clamp	non-captive contact crimp clamp	captive contact crimp clamp	captive contact crimp clamp

XX -SEE NOTE ON SPECIFICATION SHEET FOR PERFORMANCE, MATERIAL AND MOUNTING HOLE SIZE;
* -1 indicates gold plating, -9 indicates passivated (stainless finish) except in areas where gold plating is required for solderability.

SSMA COAXIAL CONNECTORS FOR FLEXIBLE CABLES AND RECEPTACLES



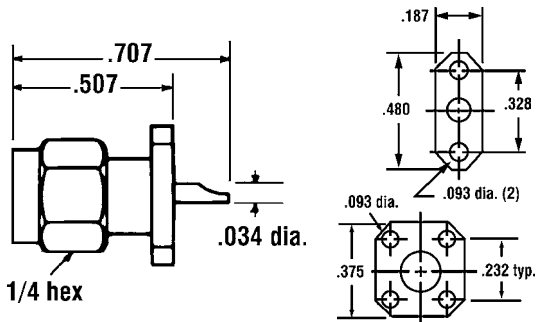
BULKHEAD JACK



FOR FLEXIBLE CABLE

MODEL	7005-3-*	7005-5-*
CABLE	RG174, 188, 316/U	RG178, 196/U
DIM. A=	1.180 max	1.050 max
NOTES	crimp clamp	crimp clamp

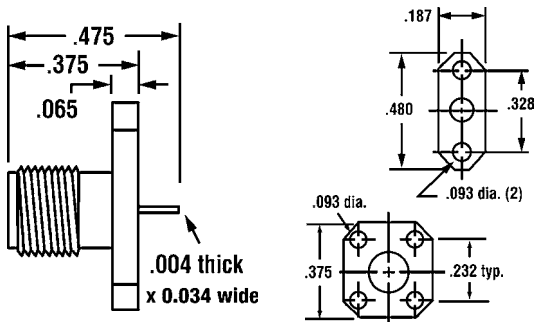
FLANGE MOUNT PLUG



RECEPTACLE

MODEL	7112-1-*	7010-1-*
NOTES	2 hole captive contact solder cup	4 hole captive contact solder cup

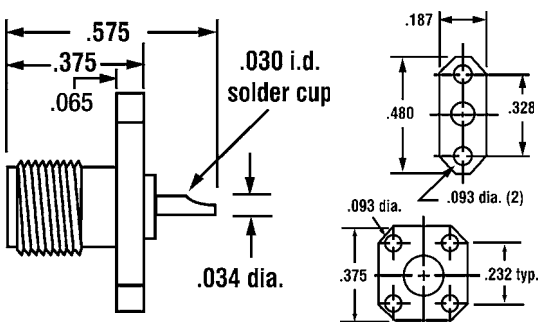
FLANGE MOUNT JACK



RECEPTACLE

MODEL	7009-3-*	7009CC-*	7008-*	7008-CC-*
NOTES	2 hole non-captive contact tab-terminal	2 hole captive contact tab-terminal	4 hole non-captive contact tab-terminal	4 hole captive contact tab-terminal

FLANGE MOUNT JACK



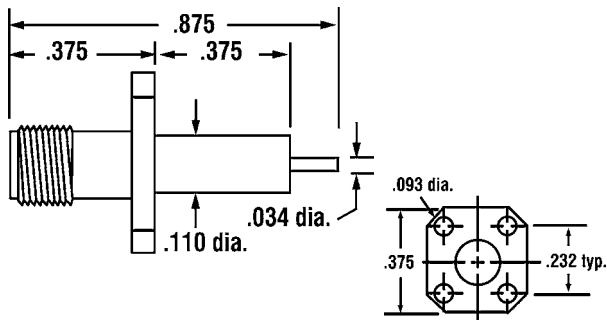
RECEPTACLE

MODEL	7265-*	7011-2-*	7244-2F-*
NOTES	4 hole flush mount ¹ captive contact solder cup	2 hole ² captive contact solder cup	2 hole flush mount captive contact solder cup

Note 1: Flush Mount Not Shown
Note 2: 7011=Epoxy Captivated(not pictured)

XX -SEE NOTE ON SPECIFICATION SHEET FOR PERFORMANCE, MATERIAL AND MOUNTING HOLE SIZE;
 * -1 indicates gold plating, -9 indicates passivated (stainless finish) except in areas where gold plating is required for solderability.

FLANGE MOUNT JACK

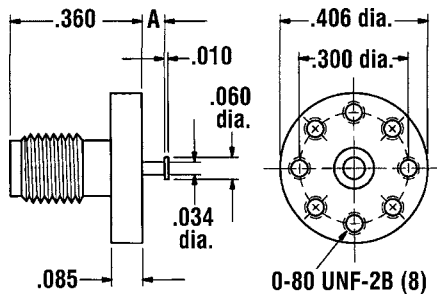


RECEPTACLE

MODEL	7254-*	7254CC-*
NOTES	4 hole non-captive contact blunt post for male version, use Part # 7264-*	4 hole captive contact blunt post for male version, use Part # 7264CC-*

7000-ACC-* = 2 Hole Version

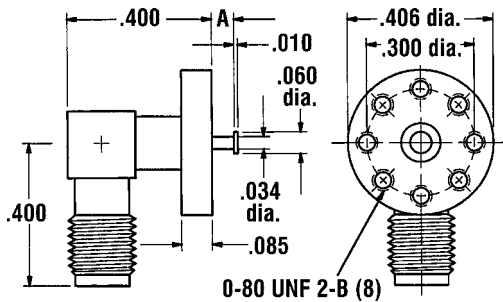
SURFACE LAUNCH STRIPLINE JACK



RECEPTACLE

MODEL	7253-1-*	7253-2-*
NOTES	A = .062	A = .031

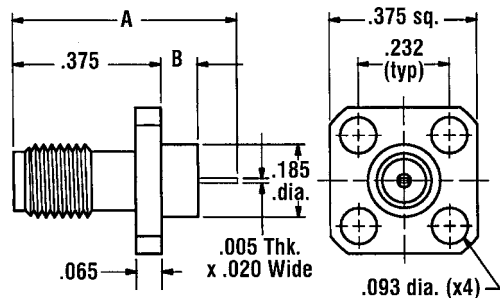
RIGHT ANGLE SURFACE LAUNCH STRIPLINE JACK



RECEPTACLE

MODEL	7203R-1-*	7203R-2-*
NOTES	A = .062	A = .031

FLANGE MOUNT JACK (TAB CONTACT)



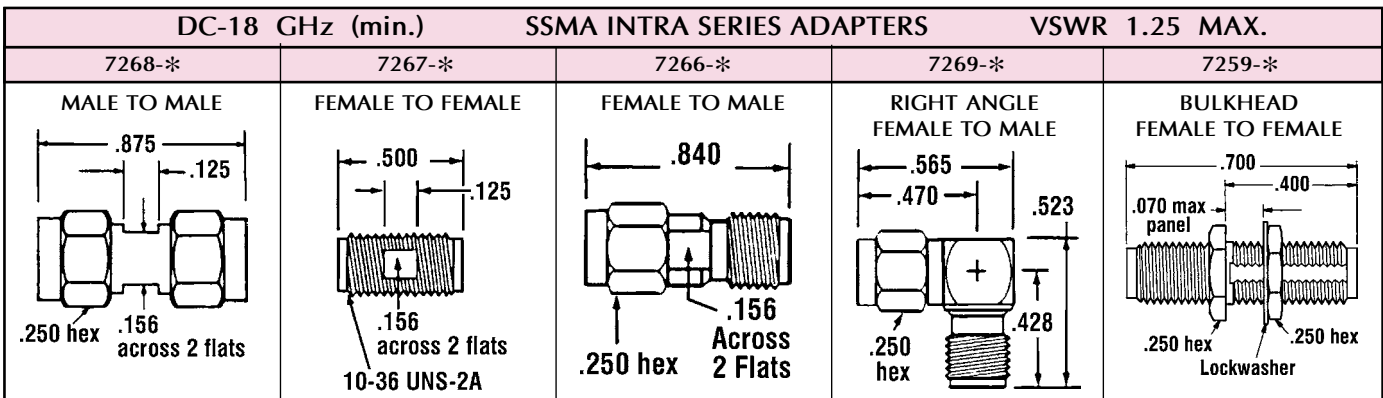
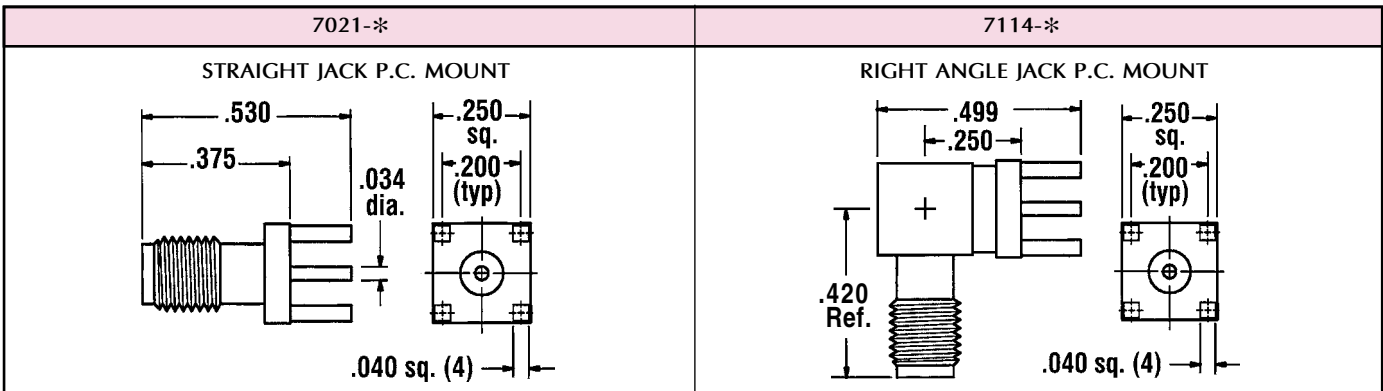
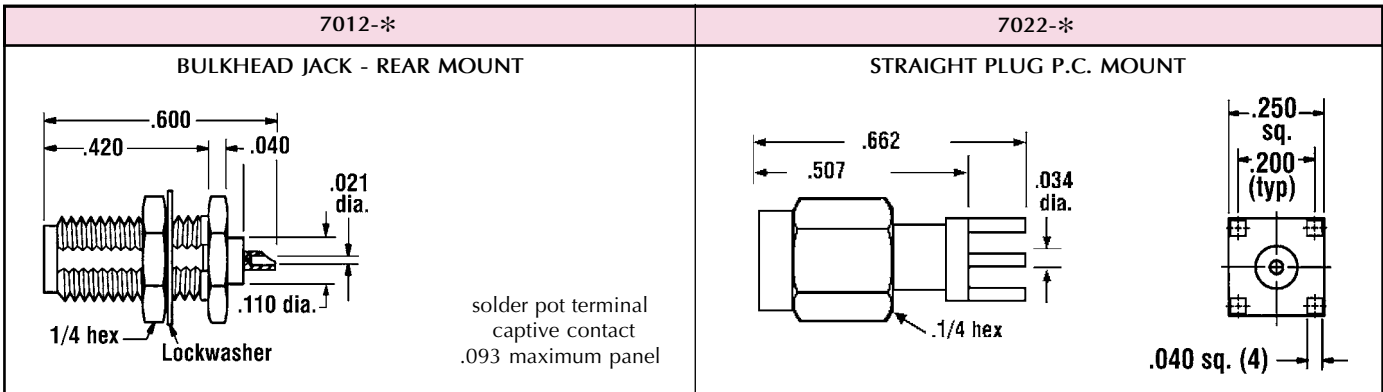
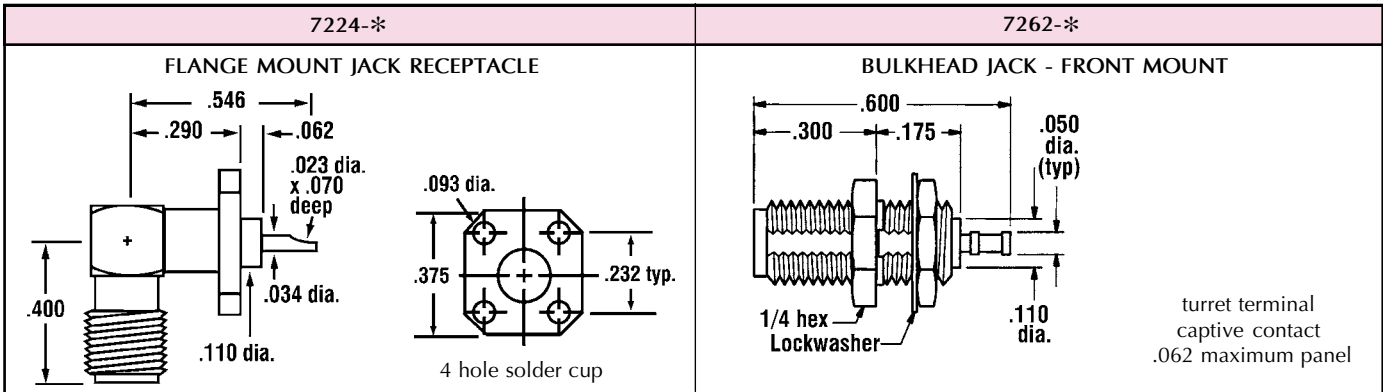
RECEPTACLE

MODEL	7013-1-*	7013-2-*	7013-3-*
NOTES	A = .568 B = .093	A = .600 B = .125	A = .662 B = .187
4-hole, captive contact For 2-hole, add suffix A (ie: 7013A-1-*)			

XX -SEE NOTE ON SPECIFICATION SHEET FOR PERFORMANCE, MATERIAL AND MOUNTING HOLE SIZE;

* -1 indicates gold plating, -9 indicates passivated (stainless finish) except in areas where gold plating is required for solderability.

SSMA FLANGE MOUNT, P.C. MOUNT BULKHEAD COAXIAL CONNECTORS & INTRA SERIES ADAPTERS



XX -SEE NOTE ON SPECIFICATION SHEET FOR PERFORMANCE, MATERIAL AND MOUNTING HOLE SIZE;
 * -1 indicates gold plating, -9 indicates passivated (stainless finish) except in areas where gold plating is required for solderability.

MCX SERIES

COAXICOM MCX SERIES CONNECTORS feature reliable Snap-On mating. They are 30% smaller than the SMB series, and offer an excellent combination of performance, size, and weight. They operate to a higher frequency than the SMB (6 GHz compared to 4 GHz). These features make the MCX series ideal for applications where performance is critical, and space is limited. The standard MCX series has a 50 Ω impedance. For 75 Ω connectors, add "-75" suffix to the catalog part number.

MCX CONNECTORS have widespread applications in GPS, data systems, and automotive and wireless communications, as well as for laboratory test and measurement use. They are readily available for flexible and semirigid cables as shown below.

MCX CABLE GROUP CODES

22	22A**	RG55, 142, 223, 400	29	RG174DS, 188DS, 316DS
	23	RG178, 196		
24	24A	RG174, 188A, 316, B7805A, LMR100, LMR100A	30	.141 SR, RG402, MIL17/130, ULTRA-FLEX
	24B	RG161, 179, 187	31	.085 SR, RG405, MIL17/133, ULTRA-FLEX
	24D	RG179DS	42A	.047 SR, MIL17/151, ULTRA-FLEX
27	27A**	RG58A, B, C, B7806A	42C	.034 SR, MIL17/154
	27B**	RG303		

** Currently available for part number 1426-XX-* only.

MCX ELECTRICAL

PARAMETER	SPECIFICATIONS
Impedance	50 Ω, 75 Ω
Frequency Range	DC - 6 GHz
Working Voltage @ sea level	335 VRMS
Dielectric Withstanding Voltage @ sea level	1,000 VRMS
VSWR (Max.)	Straight: 1.3:1 Right angles: 1.5:1
Contact Resistance (Max.)	Center: 5.0 milliohms Outer: 1.0 milliohm max.
Insulation Resistance	5,000 megohms min.

MMCX SERIES

COAXICOM MMCX SERIES CONNECTORS are intended for applications that require the smallest possible coaxial interface to be used with standard miniature single and double shielded flexible, and semi-rigid cables. The MMCX series is a scaled-down version of the MCX series. It features the same reliable Snap-On mating and performance to 6 GHz, but is smaller. Its low profile (0.138 total height above the board, compared to typically 0.236 for the MCX) PWB connectors makes the series the best choice for cellular phones, GPS, and other size-critical applications.

COAXICOM offers both the MCX and the MMCX in versatile edge mount jack receptacles that accommodate board thicknesses from .031" to .063". The MMCX IM246EM-1 is unique in that it mounts with the connector mating end flush with the board edge for enhanced space savings and design flexibility.

MMCX CABLE GROUP CODES

23		RG178, 196	31	.085 SR, RG405, MIL17/133, ULTRA-FLEX
24	24A	RG174, 188A, 316, B7805A, LMR100, LMR100A	42A	.047 SR, MIL17/151, ULTRA-FLEX
29		RG174DS, 188DS, 316DS	42C	.034 SR, MIL17/154

MMCX ELECTRICAL

PARAMETER	SPECIFICATIONS
Impedance	50 Ω
Frequency Range	DC - 6 GHz
Working Voltage @ sea level	170 VRMS
Dielectric Withstanding Voltage @ sea level	500 VRMS
VSWR (Max.)	Straight: 1.3:1 Right angles: 1.5:1
Contact Resistance (Max.)	Center: 5.0 milliohms. Outer: 2.5 milliohm max.
Insulation Resistance	1,000 megohms min.

ADDITIONAL MCX, MMCX SPECIFICATIONS

ENVIRONMENTAL

	MCX	MMCX
Temperature Range	-65° to +165° C	-55° to +155° C
Thermal Shock MIL-STD-202, Method 107	Condition C	Condition F
Moisture Resistance	MIL-STD-202, Method 106	
Corrosion	MIL-STD-202, Method 101, Condition B	
Mechanical Shock	MIL-STD-202, Method 213, Condition B	
Vibration MIL-STD-202, Method 204	Condition D	Condition C

FINISH

Center Contacts	Gold plated per MIL-PRF-39012, IAW MIL-G-45204
Metal Parts/ Crimp Ferrule	MCX - Nickel or gold per requirement MMCX - Gold *
Insulators	Natural

MCX, MMCX MATERIAL

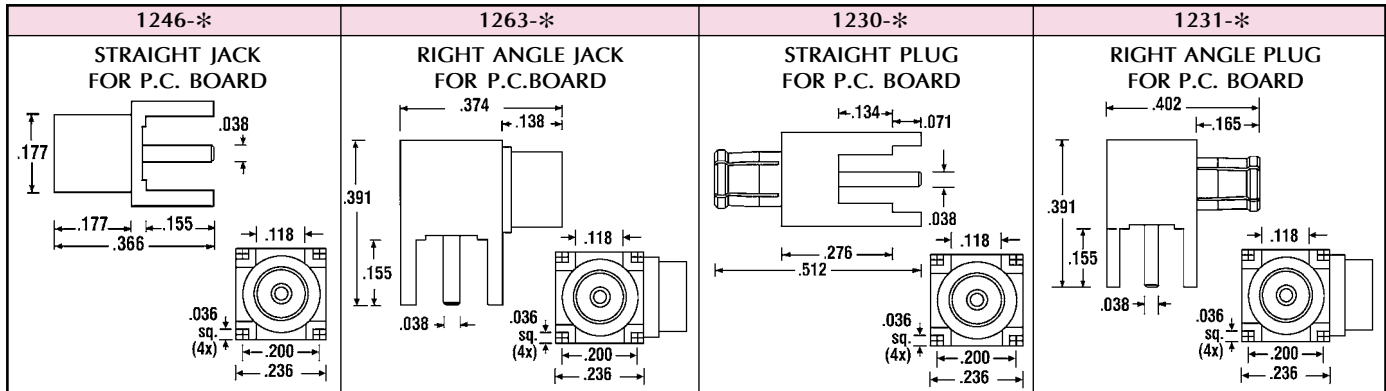
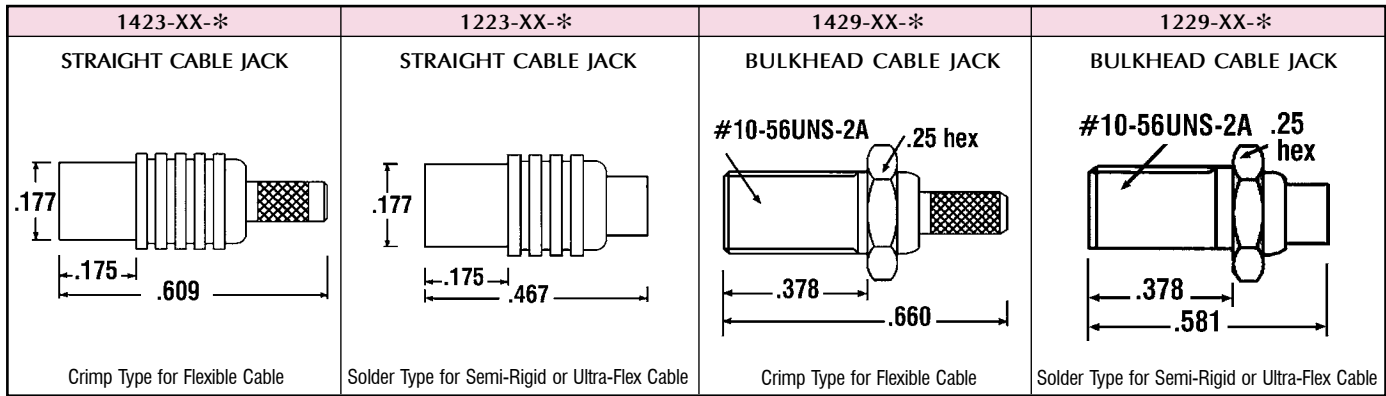
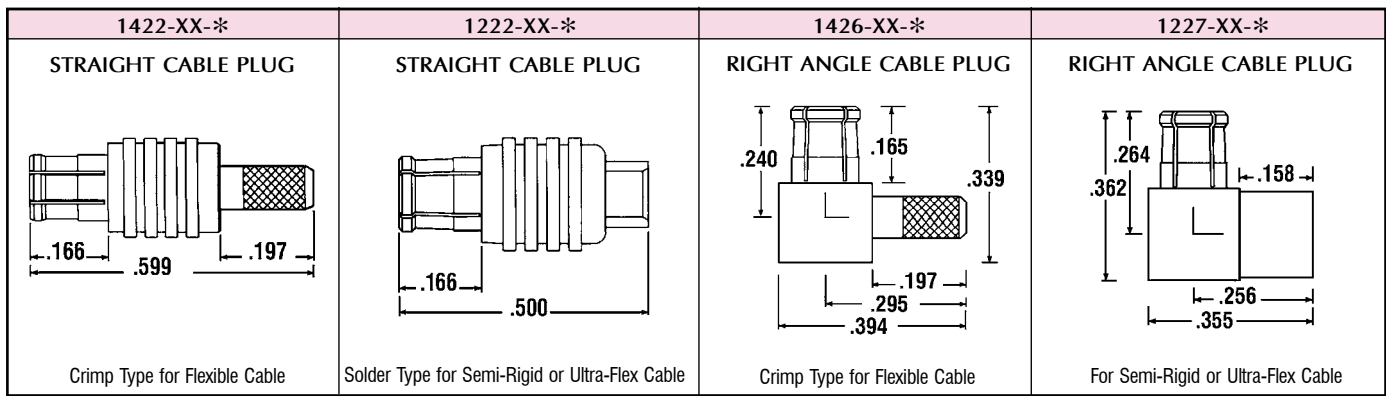
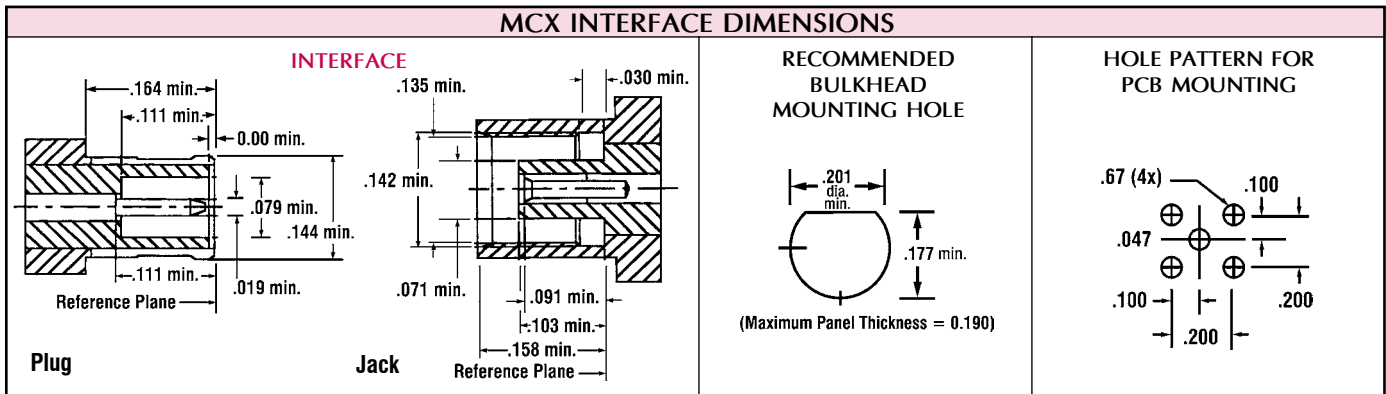
Center Contact	Male: Brass per QQ-B-626 Female: Beryllium Copper per QQ-C-530
Metal Parts	Brass per QQ-B-626
Insulators	PTFE
Crimp Ferrule	Copper

MECHANICAL

	MCX	MMCX
Engagement Force	5.6 lbs max.	3.4 lbs max.
Disengagement Force	1.8 - 4.5 lbs.	1.4 - 3.4 lbs.
Contact Retention	2.3 lbs min.	
Durability (Mating)	500 cycles min.	

* Due to the small size and tight tolerances, plating other than gold is not recommended. Consult factory for information.

MCX CONNECTORS FOR FLEXIBLE AND SEMI-RIGID CABLE & PRINTED CIRCUIT BOARDS



XX - SEE NOTE ON SPECIFICATION SHEET FOR CABLE GROUPS, MATERIAL, FINISH CODES AND MOUNTING HOLE SIZE;
 * -1 indicates gold plating, -7 indicates nickel plating.

<p>1246EM-*</p> <p>EDGE MOUNT JACK PCB RECEPTACLE</p>	<p>1246TM-*</p> <p>SURFACE MOUNT JACK</p>	<p>1263TM-*</p> <p>SURFACE MOUNT RIGHT ANGLE JACK</p>	<p>1235-*</p> <p>STRAIGHT BULKHEAD PLUG RECEPTACLE</p>
---	---	---	--

MCX IN-SERIES ADAPTERS

<p>1237-*</p> <p>JACK-TO-JACK ADAPTER</p>	<p>1209A-*</p> <p>JACK-TO-JACK BULKHEAD ADAPTER</p>	<p>1234-*</p> <p>PLUG TO PLUG ADAPTER</p>	<p>1216-*</p> <p>PLUG-TO-JACK ADAPTER</p>
---	---	---	---

MMCX INTERFACE DIMENSIONS

<p>INTERFACE</p> <p>Plug</p>	<p>Jack</p>	<p>RECOMMENDED BULKHEAD MOUNTING HOLE</p> <p>(Maximum Panel Thickness = 0.100)</p>	<p>HOLE PATTERN FOR PC BOARD MOUNTING</p> <p>For MMCX PC Board mounting</p>
-------------------------------------	-------------	--	---

MMCX CONNECTORS FOR FLEXIBLE & SEMI RIGID CABLE

<p>1M222-XX-*</p> <p>STRAIGHT CABLE PLUG</p> <p>Solder Type for Semi-Rigid or Ultra-Flex Cable</p>	<p>1M227-XX-*</p> <p>RIGHT ANGLE CABLE PLUG</p> <p>Solder Type for Semi-Rigid or Ultra-Flex Cable</p>	<p>1M223-XX-*</p> <p>STRAIGHT CABLE JACK</p> <p>Solder Type for Semi-Rigid or Ultra-Flex Cable</p>	<p>1M229-XX-*</p> <p>STRAIGHT BULKHEAD JACK</p> <p>Solder Type for Semi-Rigid or Ultra-Flex Cable</p>
--	---	--	---

For Reverse Polarized add "RP" to part number

MMCX CONNECTORS FOR FLEXIBLE AND SEMI-RIGID CABLE, PRINTED CIRCUIT BOARDS AND IN-SERIES ADAPTERS



<p>1M422-XX-*</p> <p>STRAIGHT CABLE PLUG CRIMP TYPE FOR FLEXIBLE CABLE</p>	<p>1M427-XX-*</p> <p>RIGHT ANGLE CABLE PLUG CRIMP TYPE FOR FLEXIBLE CABLE</p>	<p>1M423-XX-*</p> <p>STRAIGHT CABLE JACK CRIMP TYPE FOR FLEXIBLE CABLE</p>	<p>1M429-XX-*</p> <p>BULKHEAD CABLE JACK CRIMP TYPE FOR FLEXIBLE CABLE</p>
<p>1M230-*</p> <p>STRAIGHT PLUG FOR P.C. BOARD</p>	<p>1M230TM-*</p> <p>STRAIGHT SURFACE MOUNT PLUG FOR P.C. BOARD</p>	<p>1M246-*</p> <p>STRAIGHT JACK FOR P.C. BOARD</p>	<p>1M246TM-*</p> <p>STRAIGHT SURFACE MOUNT JACK FOR P.C. BOARD</p>
<p>1M231-*</p> <p>RIGHT ANGLE JACK FOR P.C. BOARD</p> <p>Plug also available P/N IM263-1</p>	<p>1M230EM-*</p> <p>EDGE MOUNT PLUG FOR P.C. BOARD</p>	<p>1M246EM-*</p> <p>EDGE MOUNT JACK FOR P.C. BOARD</p>	<p>1M246EMA-*</p> <p>EDGE MOUNT JACK FOR P.C. BOARD WITH OFFSET LEGS</p>
<p>MMCX IN-SERIES ADAPTERS</p>			
<p>1M216-*</p> <p>PLUG-TO-JACK ADAPTER</p>	<p>1M234-*</p> <p>PLUG-TO-PLUG ADAPTER</p>	<p>1M237-*</p> <p>JACK-TO-JACK ADAPTER</p>	<p>1M209A-*</p> <p>JACK-TO-JACK BULKHEAD ADAPTER</p>

For Reverse Polarized add "RP" to part number

Standard COAXICOM SMB, SMC and CMS connectors are subminiature 50 Ω connectors that have widespread application in telecommunications, GPS, PC/LAN and military applications. The SMB series features Snap-On mating, while the SMC has a threaded coupling to provide higher reliability in vibration-prone environments. The CMS is similar to the SMB, but has no detent. Connectors for cable groups 22, 25 and 27 are available in crimp style only. CMS plugs will mate with SMB jacks.

Mini-SMB 75 Ω connectors as well as mating printed wiring board connectors are available for 75 Ω miniature cables such as RG179 and RG187. These connectors are the same size as standard 50 Ω connectors, and are interchangeable with them. To specify a 75 Ω SMB, add suffix "-75" to a 50 Ω part number.

CABLE GROUPS

22	RG55, 142, 223	27	RG58, 141
23	RG178, 196	29	RG188DS, 174DS, 316DS
24	RG174, 179, 187, 188, 316, LMR100, LMR100A	30	.141" Semi Rigid or Ultra-Flex (RG402)
25	RG180, 195, Essex 21-597	31	.085" Semi Rigid or Ultra-Flex (RG405)
26	RG178DS, 196DS, Microdot 250-3908		

MATERIALS

Body, male contacts, nuts	Brass per QQ-B-626 composition 22, half hard
Spring Contacts	Beryllium Copper per QQ-C-530, condition HT
Insulators	TFE per ASTM-D-1710
Lockwashers	Phosphor Bronze per QQ-B-750

FINISH

Center Contacts	Gold plated per MIL-PRF-39012, IAW MIL-G-45204
Other Parts	Plated to meet the corrosion requirements of MIL-PRF-39012.

MILITARY SPECIFICATIONS

MIL-PRF-39012, MIL-A-55339, MIL-C-83517 and MIL-STD-348 as applicable.
Available Plating: 1 - gold plated, 7 - nickel plated

ELECTRICAL

Impedance	50 Ω, 75 Ω (SMB Only)
Frequency Range	<u>SMB</u> : DC to 4 GHz; <u>SMC</u> : DC to 10 GHz
Insulation Resistance (min)	1,000 Megohms
Insertion Loss (max)	<u>SMB</u> : .30 dB @ 1.5 GHz <u>SMC</u> : .25 dB @ 4.0 GHz
VSWR	<u>SMB</u> : 1.25 + (.04 F[GHz]) <u>SMC</u> : 1.20 + (.04 F[GHz])
RF High Potential Withstanding Voltage	700 VRMS @ 5 MHz
RF Leakage	<u>SMB</u> : -55 dB min.; <u>SMC</u> : -60 dB min.
Contact Resistance	Center contact 2.5 milliohms

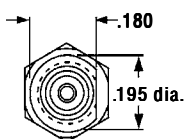
MECHANICAL

Engage/Disengage Force (max)	<u>SMB</u> : Longitudinal force 14 lbs. <u>SMC</u> : 16 inch-ounces torque
Coupling Nut Retention Force	<u>SMB</u> : Not applicable <u>SMC</u> : 50 lbs. minimum axial force, 8 inch-lbs. minimum torque
Coupling Proof Torque	<u>SMB</u> : Not applicable <u>SMC</u> : 100 inch-ounces max.
Cable Retention Force	20 lbs. applied force (min.)
Mating Characteristics (female only)	Oversize Pin: .0215 min. dia. .05 deep Insertion Force: 2.5 lbs. max. with .021 min. dia. pin; Withdrawal Force: 1 oz. min. with .019 max. dia. pin
Connector Durability	500 insertion and withdrawal cycles min. 12 cycles per minute max.

ENVIRONMENTAL

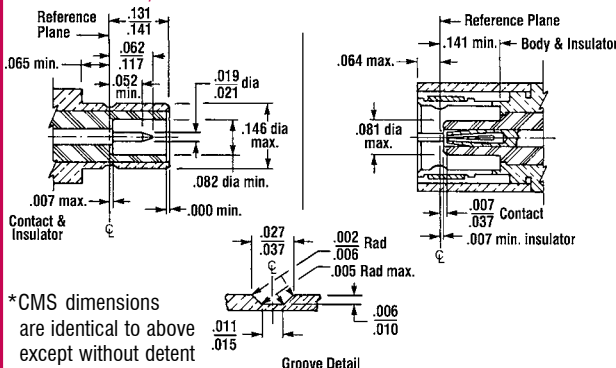
Temperature	-65°C to +165°C
Recommended Mating Torque	<u>SMB</u> : Not applicable <u>SMC</u> : 5 inch-pounds
Corrosion (salt spray)	MIL-STD-202, method 101, test condition B, 5% solution
Vibration, High Frequency	MIL-STD-202, method 204 <u>SMB</u> : Test condition B <u>SMC</u> : Test condition D
Shock	MIL-STD-202, method 213 <u>SMB</u> : Test condition B <u>SMC</u> : Test condition C
Corona Level	No breakdown at 190 VRMS and altitude 70,000 feet

RECOMMENDED MOUNTING HOLE SIZE

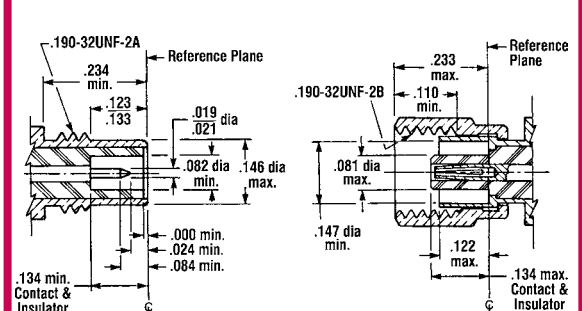


Max. Panel thickness = .093"

SMB/CMS* INTERFACE DIMENSIONS

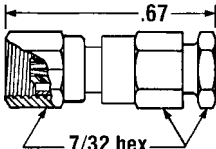
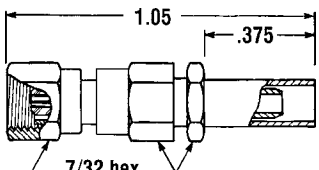
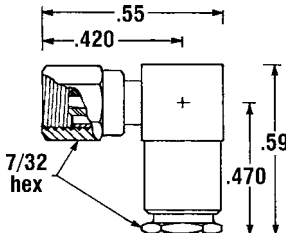
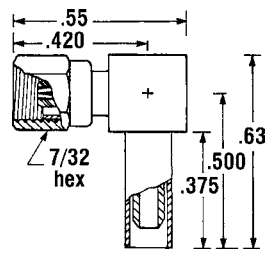
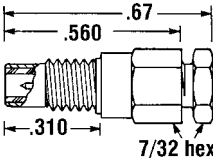
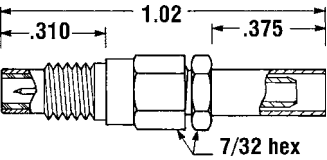
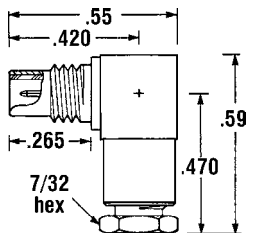
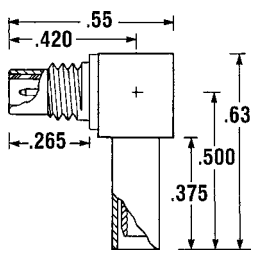
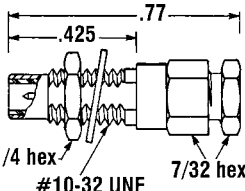
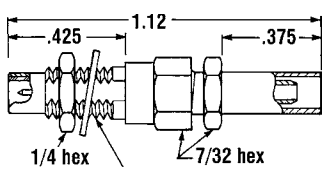
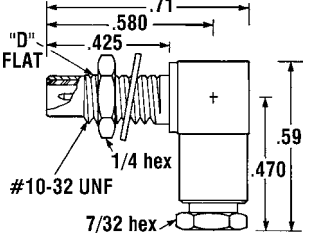
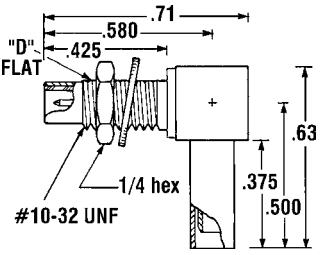
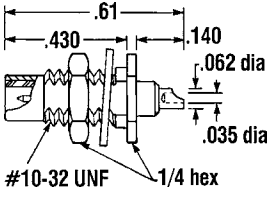
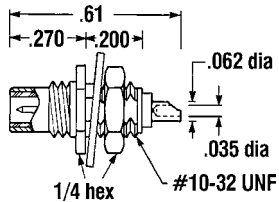
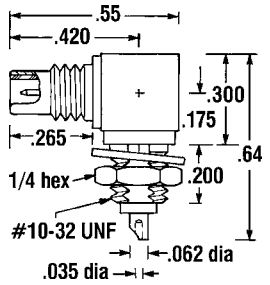
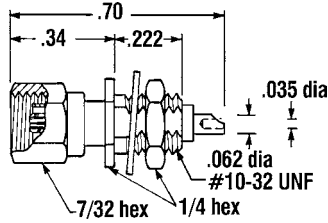


SMC INTERFACE DIMENSIONS

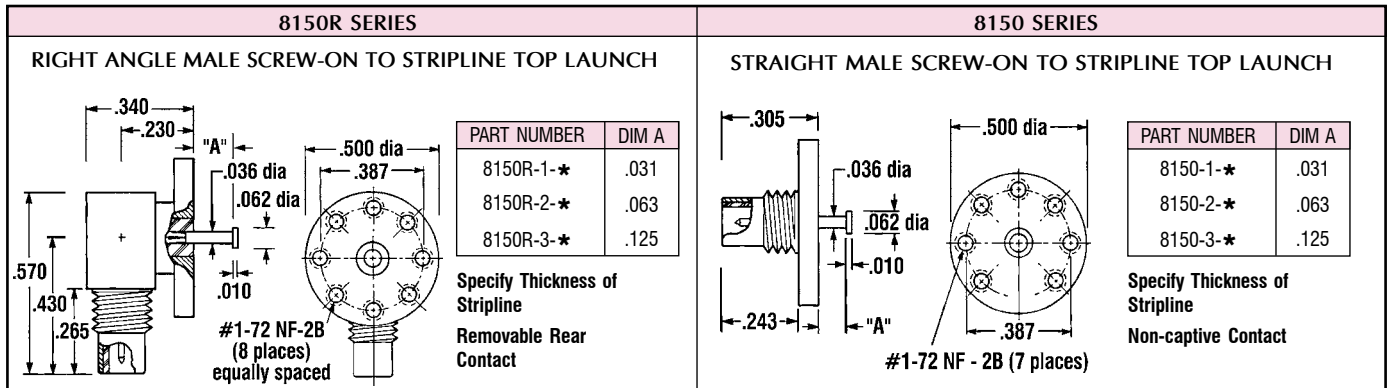
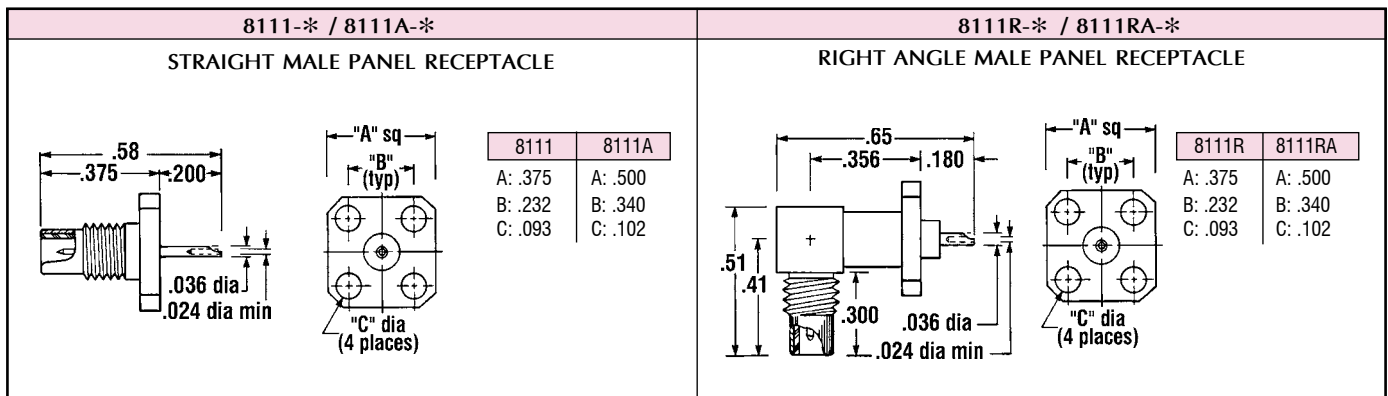
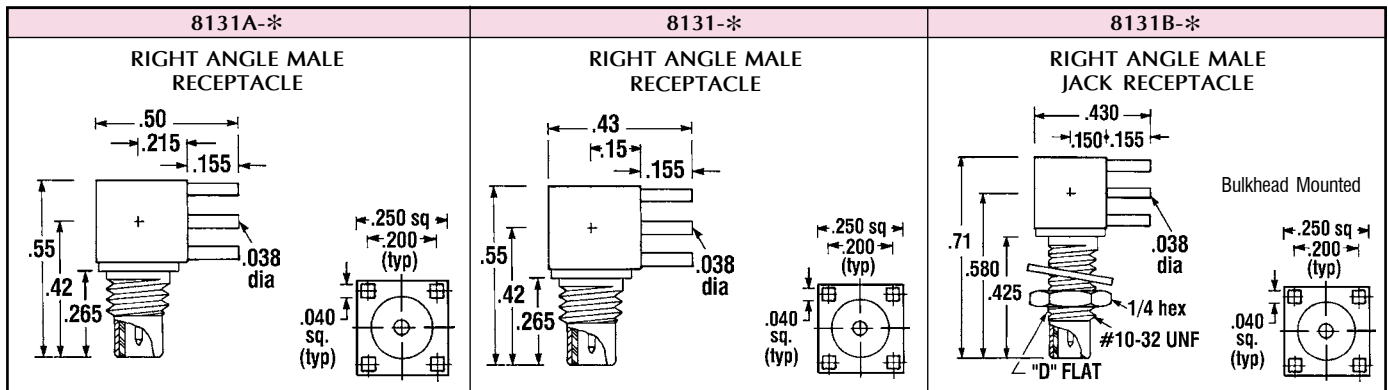
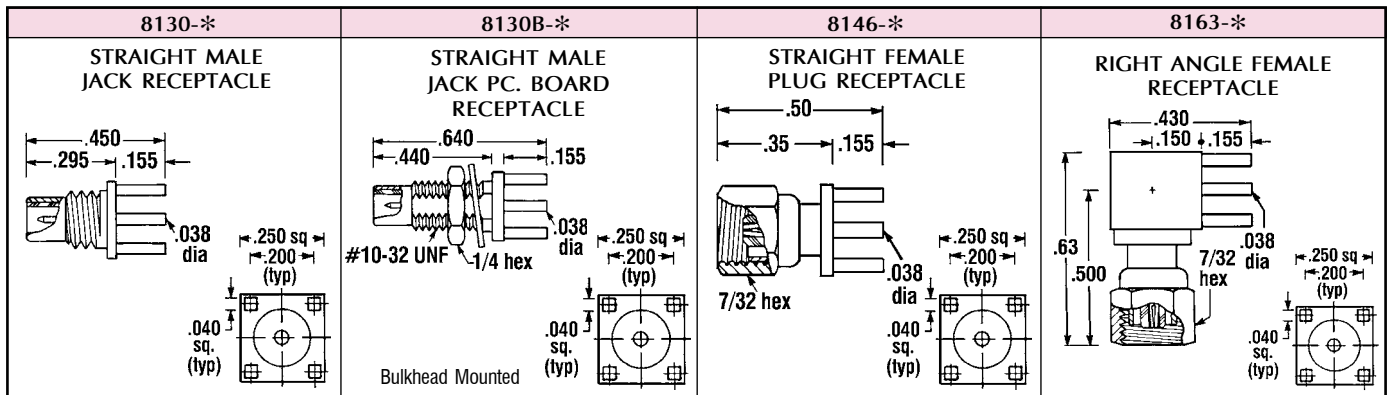


SMC CONNECTORS FOR FLEXIBLE & SEMI-RIGID CABLE, AND BULKHEAD RECEPTACLES



<p>8123-XX-*</p> <p>STRAIGHT FEMALE CABLE PLUG</p>  <p>Clamp for Flexible Cable Solder/Clamp for Cable Groups 30 & 31</p>	<p>8323-XX-*</p> <p>STRAIGHT FEMALE CABLE PLUG</p>  <p>Crimp Type</p>	<p>8126-XX-*</p> <p>RIGHT ANGLE FEMALE CABLE PLUG</p>  <p>Clamp for Flexible Cable Solder/Clamp for Cable Groups 30 & 31</p>	<p>8326-XX-*</p> <p>RIGHT ANGLE FEMALE CABLE PLUG</p>  <p>Crimp Type</p>
<p>8122-XX-*</p> <p>STRAIGHT MALE CABLE JACK</p>  <p>Clamp for Flexible Cable Solder/Clamp for Cable Groups 30 & 31</p>	<p>8322-XX-*</p> <p>STRAIGHT MALE CABLE JACK</p>  <p>Crimp Type</p>	<p>8162-XX-*</p> <p>RIGHT ANGLE MALE CABLE JACK</p>  <p>Clamp for Flexible Cable Solder/Clamp for Cable Groups 30 & 31</p>	<p>8362-XX-*</p> <p>RIGHT ANGLE MALE CABLE JACK</p>  <p>Crimp Type</p>
<p>8124-XX-*</p> <p>STRAIGHT MALE BULKHEAD CABLE JACK</p>  <p>Clamp for Flexible Cable Solder/Clamp for Cable Groups 30 & 31</p>	<p>8324-XX-*</p> <p>STRAIGHT MALE BULKHEAD CABLE JACK</p>  <p>Crimp Type</p>	<p>8127-XX-*</p> <p>RIGHT ANGLE MALE BULKHEAD CABLE JACK</p>  <p>Clamp for Flexible Cable Solder/Clamp for Cable Groups 30 & 31</p>	<p>8327-XX-*</p> <p>RIGHT ANGLE MALE BULKHEAD CABLE JACK</p>  <p>Crimp Type</p>
<p>8125-*</p> <p>STRAIGHT MALE CHASSIS RECEPTACLE</p>  <p>Nut in Front of Panel</p>	<p>8140-*</p> <p>STRAIGHT MALE CHASSIS RECEPTACLE</p>  <p>Nut Behind Panel</p>	<p>8133-*</p> <p>RIGHT ANGLE MALE CHASSIS RECEPTACLE</p> 	<p>8138-*</p> <p>STRAIGHT FEMALE CHASSIS RECEPTACLE</p> 

XX - * - SEE NOTE ON SPECIFICATION SHEET FOR CABLE GROUPS, MATERIAL, FINISH CODES AND MOUNTING HOLE SIZE



XX SEE NOTE ON SPECIFICATION SHEET FOR CABLE GROUPS, MATERIAL, FINISH CODES AND MOUNTING HOLE SIZE; PRE-TINNED LEGS AND CONTACTS AVAILABLE BY ADDING SUFFIX "P" TO PART NUMBER (i.e., 8130P-1)

* 1 indicates gold plating, -7 indicates nickel plating

CABLE TERMINATIONS, FEEDTHROUGHS, RESISTIVE TERMINATIONS & INTRA SERIES ADAPTERS



<p>8241-XX-*</p> <p>STRAIGHT CABLE BULKHEAD TERMINATION</p> <p>Clamp for Flexible Cable Solder/Clamp for Cable Groups 30 & 31</p>	<p>8341-XX-*</p> <p>STRAIGHT CABLE BULKHEAD TERMINATION</p> <p>Crimp Type</p>	<p>8005F-51-*</p> <p>FEMALE RESISTIVE TERMINATION</p> <p>(51 Ohm, 0.5W, 5%)</p>	<p>8005M-51-*</p> <p>MALE RESISTIVE TERMINATION</p> <p>(51 Ohm, 0.5W, 5%)</p>
<p>8142-XX-*</p> <p>STRAIGHT CABLE BULKHEAD FEEDTHROUGH</p> <p>Clamp for Flexible Cable Solder/Clamp for Cable Groups 30 & 31</p>	<p>8461-XX-*</p> <p>STRAIGHT CABLE BULKHEAD FEEDTHROUGH</p> <p>Crimp Type</p>	<p>8165-XX-*</p> <p>RIGHT ANGLE CABLE BULKHEAD TERMINATION</p> <p>Clamp for Flexible Cable Solder/Clamp for Cable Groups 30 & 31</p>	<p>8128-*</p> <p>MALE TO MALE TO MALE ADAPTER</p> <p>Available with Offset Bracket Upon Request</p>
<p>8134-*</p> <p>MALE TO MALE ADAPTER</p>	<p>8137-*</p> <p>FEMALE TO FEMALE ADAPTER</p>	<p>8143-*</p> <p>BULKHEAD MALE TO MALE ADAPTER</p>	<p>8129-*</p> <p>FEMALE TO FEMALE TO FEMALE ADAPTER</p> <p>Available with Offset Bracket Upon Request</p>
<p>8136-*</p> <p>MALE TO MALE TO FEMALE ADAPTER</p> <p>Available with Offset Bracket Upon Request</p>	<p>8153-*</p> <p>MALE TO FEMALE TO MALE ADAPTER</p> <p>Available with Offset Bracket Upon Request</p>	<p>8154-*</p> <p>FEMALE TO FEMALE TO MALE ADAPTER</p> <p>Available with Offset Bracket Upon Request</p>	<p>8155-*</p> <p>MALE TO FEMALE TO FEMALE ADAPTER</p> <p>Available with Offset Bracket Upon Request</p>

XX SEE NOTE ON SPECIFICATION SHEET FOR CABLE GROUPS, MATERIAL, FINISH CODES AND MOUNTING HOLE SIZE.
* 1 indicates gold plating, -7 indicates nickel plating

<p>6223-XX-*</p> <p>STRAIGHT FEMALE CABLE PLUG</p> <p>Clamp for Flexible Cable Solder/Clamp for Cable Groups 30 & 31</p>	<p>6423-XX-*</p> <p>STRAIGHT FEMALE CABLE PLUG</p> <p>Crimp Type</p>	<p>6226-XX-*</p> <p>RIGHT ANGLE FEMALE CABLE PLUG</p> <p>Clamp for Flexible Cable Solder/Clamp for Cable Groups 30 & 31</p>	<p>6426-XX-*</p> <p>RIGHT ANGLE FEMALE CABLE PLUG</p> <p>Crimp Type</p>
<p>6222-XX-*</p> <p>STRAIGHT MALE CABLE JACK</p> <p>Clamp for Flexible Cable Solder/Clamp for Cable Groups 30 & 31</p>	<p>6422-XX-*</p> <p>STRAIGHT MALE CABLE JACK</p> <p>Crimp Type</p>	<p>6262-XX-*</p> <p>RIGHT ANGLE MALE CABLE JACK</p> <p>Clamp for Flexible Cable Solder/Clamp for Cable Groups 30 & 31</p>	<p>6462-XX-*</p> <p>RIGHT ANGLE MALE CABLE JACK</p> <p>Crimp Type</p>
<p>6224-XX-*</p> <p>STRAIGHT MALE BULKHEAD CABLE</p> <p>Clamp for Flexible Cable Solder/Clamp for Cable Groups 30 & 31</p>	<p>6424-XX-*</p> <p>STRAIGHT MALE BULKHEAD CABLE JACK</p> <p>Crimp Type</p>	<p>6227-XX-*</p> <p>RIGHT ANGLE MALE BULKHEAD CABLE JACK</p> <p>Clamp for Flexible Cable Solder/Clamp for Cable Groups 30 & 31</p>	<p>6427-XX-*</p> <p>RIGHT ANGLE MALE BULKHEAD CABLE JACK</p> <p>Crimp Type</p>
<p>6225-*</p> <p>STRAIGHT MALE CHASSIS JACK RECEPTACLE</p> <p>Nut in Front of Panel</p>	<p>6240-*</p> <p>STRAIGHT MALE CHASSIS JACK RECEPTACLE</p> <p>Nut Behind Panel</p>	<p>6235-*</p> <p>RECESSED BULKHEAD MALE RECEPTACLE</p>	<p>6233-*</p> <p>RIGHT ANGLE MALE CHASSIS JACK RECEPTACLE</p>

XX SEE NOTE ON SPECIFICATION SHEET FOR CABLE GROUPS, MATERIAL, FINISH CODES AND MOUNTING HOLE SIZE.

* 1 indicates gold plating -7 indicates nickel plating

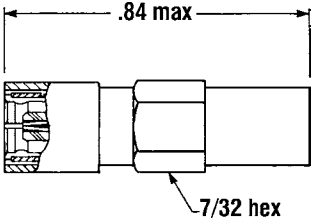
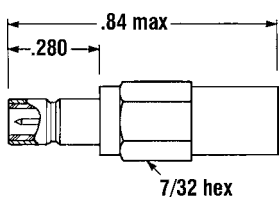
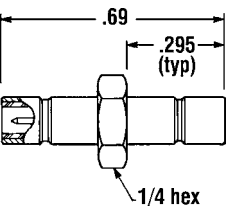
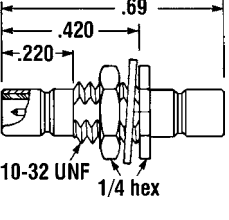
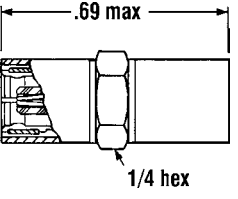
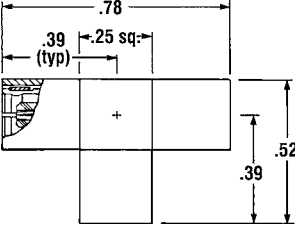
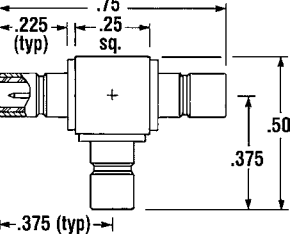
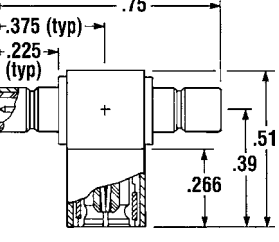
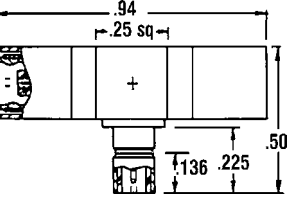
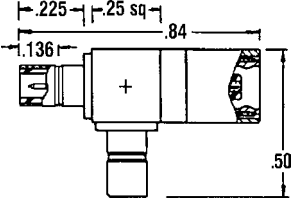
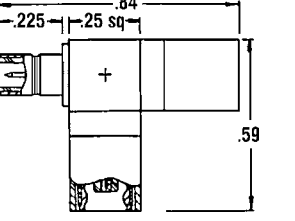
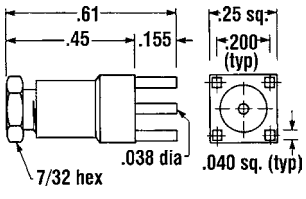
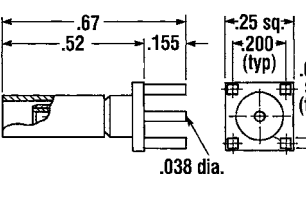
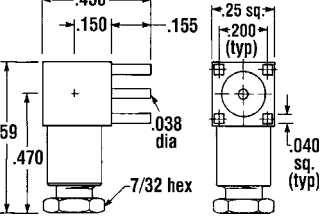
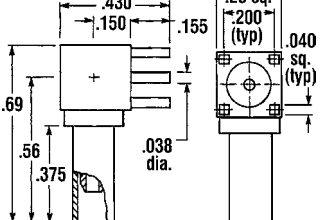
SMB BULKHEAD MOUNT, PANEL MOUNT, STRIPLINE & PRINTED CIRCUIT BOARD CONNECTORS



<p>6238-*</p> <p>STRAIGHT FEMALE CHASSIS PLUG RECEPTACLE</p> <p>Nut Behind Panel</p>	<p>6241-*</p> <p>BULKHEAD MOUNTED STRAIGHT FEMALE PLUG RECEPTACLE</p> <p>Nut in Front of Panel</p>	<p>6429-XX-*</p> <p>BULKHEAD MOUNTED STRAIGHT FEMALE CABLE PLUG</p> <p>Crimp Type</p>	<p>6126-*</p> <p>RIGHT ANGLE FEMALE BULKHEAD PLUG RECEPTACLE</p>																
<p>6229-XX-*</p> <p>BULKHEAD MOUNTED STRAIGHT FEMALE CABLE PLUG</p> <p>Clamp for Flexible Cable Solder/Clamp for Cable Groups 30 & 31</p>	<p>6902-*</p> <p>BULKHEAD MOUNTED RIGHT ANGLE MALE JACK P.C. BOARD RECEPTACLE</p>	<p>6111-1-*/ 6111-2-*</p> <p>STRAIGHT MALE PANEL RECEPTACLE</p> <table border="1"> <tr> <th>6111-1</th> <th>6111-2</th> </tr> <tr> <td>A: .375</td> <td>A: .500</td> </tr> <tr> <td>B: .232</td> <td>B: .340</td> </tr> <tr> <td>C: .093</td> <td>C: .102</td> </tr> </table> <p>"A" sq. (typ) "B" (typ) "C" dia (4 places)</p>	6111-1	6111-2	A: .375	A: .500	B: .232	B: .340	C: .093	C: .102	<p>6111R-1-*/ 6111R-2-*</p> <p>RIGHT ANGLE MALE PANEL RECEPTACLE</p> <table border="1"> <tr> <th>6111R-1</th> <th>6111R-2</th> </tr> <tr> <td>A: .375</td> <td>A: .500</td> </tr> <tr> <td>B: .232</td> <td>B: .340</td> </tr> <tr> <td>C: .093</td> <td>C: .102</td> </tr> </table> <p>"A" sq. (typ) "B" (typ) "C" dia. (4 places)</p>	6111R-1	6111R-2	A: .375	A: .500	B: .232	B: .340	C: .093	C: .102
6111-1	6111-2																		
A: .375	A: .500																		
B: .232	B: .340																		
C: .093	C: .102																		
6111R-1	6111R-2																		
A: .375	A: .500																		
B: .232	B: .340																		
C: .093	C: .102																		
<p>6263-*</p> <p>RIGHT ANGLE FEMALE PLUG RECEPTACLE</p>	<p>6250-X-*</p> <p>MALE JACK TO STRIPLINE - TOP LAUNCH</p> <table border="1"> <tr> <th>PART #</th> <th>DIM A</th> </tr> <tr> <td>6250-1-*</td> <td>.031</td> </tr> <tr> <td>6250-2-*</td> <td>.063</td> </tr> <tr> <td>6250-3-*</td> <td>.125</td> </tr> </table> <p>Specify Thickness of Stripline Non-captive Contact</p>	PART #	DIM A	6250-1-*	.031	6250-2-*	.063	6250-3-*	.125	<p>6250R-X-*</p> <p>RIGHT ANGLE MALE STRIPLINE - TOP LAUNCH</p> <table border="1"> <tr> <th>PART #</th> <th>DIM A</th> </tr> <tr> <td>6250R-1-*</td> <td>.031</td> </tr> <tr> <td>6250R-2-*</td> <td>.063</td> </tr> <tr> <td>6250R-3-*</td> <td>.125</td> </tr> </table> <p>Specify Thickness of Stripline Removable Rear Contact</p>	PART #	DIM A	6250R-1-*	.031	6250R-2-*	.063	6250R-3-*	.125	
PART #	DIM A																		
6250-1-*	.031																		
6250-2-*	.063																		
6250-3-*	.125																		
PART #	DIM A																		
6250R-1-*	.031																		
6250R-2-*	.063																		
6250R-3-*	.125																		
<p>6230-*</p> <p>STRAIGHT MALE JACK RECEPTACLE</p>	<p>6230B-*</p> <p>STRAIGHT MALE BULKHEAD JACK RECEPTACLE</p>	<p>6231-*</p> <p>RIGHT ANGLE MALE JACK RECEPTACLE</p>	<p>6246-*</p> <p>STRAIGHT FEMALE PLUG RECEPTACLE</p>																

XX SEE NOTE ON SPECIFICATION SHEET FOR CABLE GROUPS, MATERIAL, FINISH CODES AND MOUNTING HOLE SIZE; PRE-TINNED LEGS AND CONTACTS AVAILABLE BY ADDING SUFFIX "P" TO PART NUMBER (i.e., 6230P-1)
* 1 indicates gold plating, -7 indicates nickel plating

SMB RESISTIVE TERMINATIONS, INTRA SERIES ADAPTERS, & PRINTED CIRCUIT BOARD CABLE TERMINATIONS

<p>6005F-51-*</p> <p>FEMALE PLUG RESISTIVE TERMINATION</p>  <p>(51 Ohm, 0.5W, 5%)</p>	<p>6005M-51-*</p> <p>MALE JACK RESISTIVE TERMINATION</p>  <p>(51 Ohm, 0.5W, 5%)</p>	<p>6234-*</p> <p>MALE TO MALE ADAPTER</p>  <p>1/4 hex</p>	<p>6243-*</p> <p>BULKHEAD MALE TO MALE ADAPTER</p>  <p>#10-32 UNF 1/4 hex</p>
<p>6237-*</p> <p>FEMALE TO FEMALE ADAPTER</p>  <p>1/4 hex</p>	<p>6229-*</p> <p>FEMALE TO FEMALE TO FEMALE ADAPTER</p>  <p>Available with Offset Bracket</p>	<p>6228-*</p> <p>MALE TO MALE TO MALE ADAPTER</p>  <p>Available with Offset Bracket</p>	<p>6236-*</p> <p>MALE TO FEMALE TO MALE ADAPTER</p>  <p>Available with Offset Bracket</p>
<p>6254-*</p> <p>FEMALE TO MALE TO FEMALE ADAPTER</p>  <p>Available with Offset Bracket</p>	<p>6253-*</p> <p>MALE TO MALE TO FEMALE ADAPTER</p>  <p>Available with Offset Bracket</p>	<p>6255-*</p> <p>MALE TO FEMALE TO FEMALE ADAPTER</p>  <p>Available with Offset Bracket</p>	
<p>P.C. BOARD TERMINATIONS</p>			
<p>6167-XX-*</p> <p>STRAIGHT CABLE TERMINATION</p>  <p>7/32 hex .038 dia. .040 sq. (typ)</p> <p>Clamp or Solder Type</p>	<p>8367-XX-*</p> <p>STRAIGHT CABLE TERMINATION</p>  <p>.038 dia. .040 sq. (typ)</p> <p>Crimp Type</p>	<p>6266-XX-*</p> <p>RIGHT ANGLE CABLE TERMINATION</p>  <p>.038 dia. 7/32 hex .040 sq. (typ)</p> <p>Clamp or Solder Type</p>	<p>8466-XX-*</p> <p>RIGHT ANGLE CABLE TERMINATION</p>  <p>.038 dia. .040 sq. (typ)</p> <p>Crimp Type</p>

XX SEE NOTE ON SPECIFICATION SHEET FOR CABLE GROUPS, MATERIAL, FINISH CODES AND MOUNTING HOLE SIZE

* 1 indicates gold plating, -7 indicates nickel plating

Bulkhead models are designed for use with .093" max thick panel.

CMS (SLIDE ON) FOR FLEXIBLE & SEMIRIGID CABLE, BULKHEAD & PRINTED CIRCUIT BOARDS



<p>9822-XX-*</p> <p>STRAIGHT MALE CABLE JACK</p> <p>Clamp for Flexible Cable Solder/Clamp for Cable Groups 30 & 31</p>	<p>9862-XX-*</p> <p>RIGHT ANGLE MALE CABLE JACK COMPRESSION FITTING</p> <p>Clamp for Flexible Cable Solder/Clamp for Cable Groups 30 & 31</p>	<p>9882-XX-*</p> <p>STRAIGHT MALE CABLE JACK</p> <p>Crimp Type</p>	<p>9885-XX-*</p> <p>RIGHT ANGLE MALE CABLE JACK</p> <p>Crimp Type</p>
<p>9823-XX-*</p> <p>STRAIGHT FEMALE CABLE PLUG</p> <p>Clamp for Flexible Cable Solder/Clamp for Cable Groups 30 & 31</p>	<p>9827-XX-*</p> <p>RIGHT ANGLE MALE BULKHEAD CABLE JACK - COMPRESSION FITTING</p> <p>Clamp for Flexible Cable Solder/Clamp for Cable Groups 30 & 31</p>	<p>9883-XX-*</p> <p>STRAIGHT FEMALE CABLE PLUG CRIMP FITTING</p> <p>Crimp Type</p>	<p>9887-XX-*</p> <p>RIGHT ANGLE MALE BULKHEAD CABLE JACK</p> <p>Crimp Type</p>
<p>9824-XX-*</p> <p>STRAIGHT MALE BULKHEAD CABLE JACK</p> <p>Clamp for Flexible Cable Solder/Clamp for Cable Groups 30 & 31</p>	<p>9826-XX-*</p> <p>RIGHT ANGLE FEMALE CABLE PLUG</p> <p>Clamp for Flexible Cable Solder/Clamp for Cable Groups 30 & 31</p>	<p>9884-XX-*</p> <p>STRAIGHT MALE BULKHEAD CABLE JACK</p> <p>Crimp Type</p>	<p>9886-XX-*</p> <p>RIGHT ANGLE FEMALE CABLE PLUG</p> <p>Crimp Type</p>
<p>9825B-*</p> <p>STRAIGHT MALE CHASSIS JACK RECEPTACLE SOLDER POT CONTACT</p> <p>Nut in Front of Panel</p>	<p>9830-*</p> <p>STRAIGHT MALE JACK RECEPTACLE</p> <p>Nut Behind Panel</p>	<p>9840-*</p> <p>STRAIGHT MALE JACK RECEPTACLE</p> <p>Nut Behind Panel</p>	<p>9831-*</p> <p>RIGHT ANGLE MALE JACK RECEPTACLE</p> <p>Nut Behind Panel</p>

XX SEE NOTE ON SPECIFICATION SHEET FOR CABLE GROUPS, MATERIAL, FINISH CODES AND MOUNTING HOLE SIZE

* 1 indicates gold plating, -7 indicates nickel plating

CMS (SLIDE-ON) CONNECTORS FOR FLEXIBLE & SEMIRIGID CABLE, PRINTED CIRCUIT BOARD, AND INTRA SERIES ADAPTERS

<p>9831D-*</p> <p>RIGHT ANGLE MALE JACK RECEPTACLE</p>	<p>9833-*</p> <p>RIGHT ANGLE MALE CHASSIS JACK RECEPTACLE</p>	<p>9841-*</p> <p>STRAIGHT FEMALE PLUG RECEPTACLE</p>	<p>9838-*</p> <p>STRAIGHT FEMALE PLUG CHASSIS RECEPTACLE SOLDER POT CONTACT</p>
<p>9863-*</p> <p>RIGHT ANGLE FEMALE RECEPTACLE PLUG</p>	<p>9860-*</p> <p>RIGHT ANGLE FEMALE BULKHEAD RECEPTACLE PLUG</p>	<p>9835-*</p> <p>RECESSED BULKHEAD MALE JACK RECEPTACLE</p>	<p>9898-XX-*</p> <p>RIGHT ANGLE MALE FLOATING BULKHEAD CABLE JACK CRIMP</p> <p>For .062, .031 panel Consult factory</p>
<p>9899-XX-*</p> <p>STRAIGHT FEMALE FLOATING BULKHEAD CABLE PLUG</p> <p>Accepts .020, .021 dia Varies</p> <p>For .062, .031 panel Consult factory</p>	<p>9829-XX-*</p> <p>BULKHEAD MOUNTED STRAIGHT FEMALE CABLE PLUG</p>	<p>9889-XX-*</p> <p>BULKHEAD MOUNTED STRAIGHT FEMALE CABLE PLUG</p>	<p>9830B-*</p> <p>BULKHEAD MOUNTED STRAIGHT MALE JACK P.C. BOARD RECEPTACLE</p>
<p>9831B-*</p> <p>BULKHEAD MOUNTED RIGHT ANGLE MALE JACK P.C. BOARD RECEPTACLE</p>	<p>9243-*</p> <p>BULKHEAD MOUNTED STRAIGHT MALE JACK TO JACK ADAPTER</p>	<p>INTRA SERIES ADAPTERS</p>	
		<p>9237-*</p> <p>FEMALE TO FEMALE</p>	<p>9234-*</p> <p>MALE TO MALE</p>

XX SEE NOTE ON SPECIFICATION SHEET FOR CABLE GROUPS, MATERIAL, FINISH CODES AND MOUNTING HOLE SIZE

* 1 indicates gold plating, -7 indicates nickel plating

SSMB, SCMS, SSMC SPECIFICATIONS



ELECTRICAL

Impedance	50 Ω nominal	
Frequency Range	DC-12.4 GHz.	
Voltage Rating	250 VRMS @ sea level; 60 VRMS @ 70,000 ft.	
Insulation Resistance	1,000 megohms minimum	
Contact Resistance:		
Center contact	Initial: 4.0 milliohms maximum; after environmental test conditions: 6.0 milliohms maximum.	
Outer contact	Initial: 1.0 milliohms maximum; after environmental test conditions: 1.5 milliohms maximum.	
Cable braid to body	Initial: 1.0 milliohms maximum; after environmental test conditions: N/A.	
Corona Level	125 V @ 70,000 ft.	
RF highpot	400 VRMS @ 5 MHz.	
RF Leakage	-50 dB min @ 2-3 GHz.	
Insertion loss	.30 dB max @ 1.5 Ghz.	
VSWR: SSMC:		
Cable:	Straight Connector:	Right angle Connector:
RG178	1.20+ (.20 x F[GHz])	1.20+ (.30 x F[GHz])
RG316	1.25+ (.20 x F[GHz])	1.25+ (.30 x F[GHz])
.085 Semi-rigid	1.20+ (.15 x F[GHz])	1.20+ (.30 x F[GHz])
VSWR: SSMB & SCMS:		
Cable:	Straight Connector:	Right angle Connector:
RG178	1.25+ (.20 x F[GHz])	1.25+ (.30 x F[GHz])
RG316	1.30+ (.20 x F[GHz])	1.30+ (.30 x F[GHz])
.085 Semi-rigid	1.25+ (.15 x F[GHz])	1.25+ (.25 x F[GHz])

MATERIALS

Plug spring fingers, center contacts	SSMB & SCMS: Beryllium copper per ASTM-B-196, Condition HT; SSMC: N/A
Jack mating ends, center contacts	SSMC: Beryllium copper per ASTM-B 196, Condition HT. SSMB & SCMS: N/A
Crimp sleeves	Seamless copper tube per ASTM-B-75, type C12000, temper: light anneal 050
Other metal parts	Brass per ASTM-B-16, Alloy 360, 1/2 hard
Insulators	Teflon (TFE) per ASTM-D-1710

FINISH

Center contacts	Gold plated per MIL-PRF-39012, IAW MIL-G-45204
Other metal parts	Gold plated to meet current MIL-PRF-39012 corrosion requirements

The closed entry female contact shown is not always in inventory for all part numbers. Consult factory for current availability.

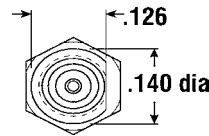
ENVIRONMENTAL (MIL-STD-202)

Temperature range	-65° C to +165° C
Corrosion	Method 101, condition B, 5% salt solution.
Mechanical shock (Method 213)	SSMB, SSMC: Condition B, 75G @ 6ms @ 1/2 sine SCMS: N/A
Vibration (Method 204)	SSMB: Condition B (15G); SCMS: Condition A (10G); SSMC: Condition D (20G)

MECHANICAL

Force to engage	SSMB: Initial, 6 pounds max engagement, 2 pounds min disengagement. After 500 matings, 6 pounds max engagement, 1 pound min disengagement. SCMS: Initial, 3 pounds max engagement, 5 pounds min disengagement. SSMC: 16 inch-ounces torque max.
Mating torque	SSMB & SCMS: N/A; SSMC: 28-32 inch-ounces.
Coupling nut pulloff resistance	25 pounds min.
Contact retention	2 pounds min axial force
Durability	500 mating cycles

RECOMMENDED MOUNTING HOLE SIZE

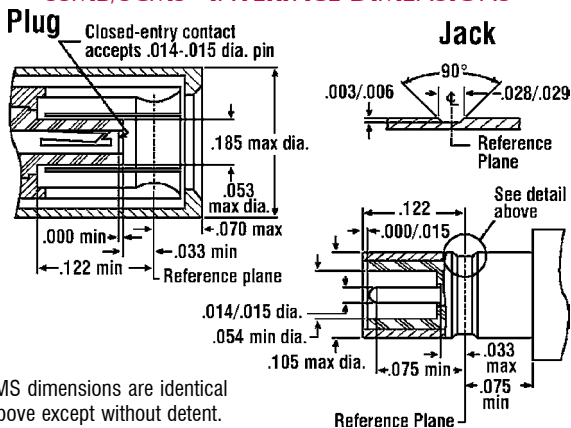


Due to their small size and tight tolerances, plating other than gold is not recommended. Consult factory for information.

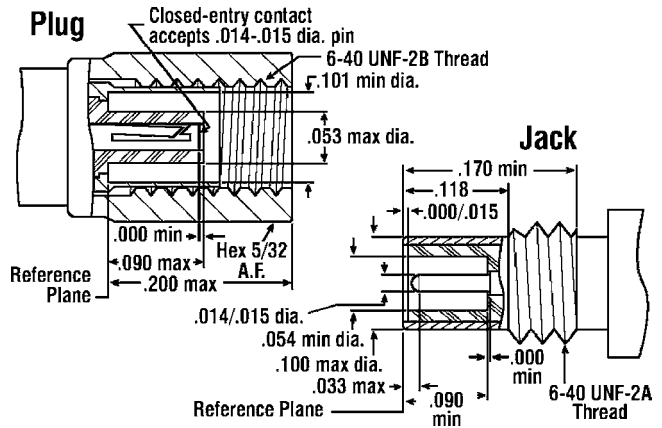
CABLE GROUP CODES

23	RG178, 196,404	26	RG178DS, Microdot 250-3908
24	24A RG174, 179, 187, 188, 316, LMR100, LMR100A	29	RG188DS, 174DS, 316DS
	24B Not applicable for these connector series	31	.085 Semi-rigid or ULTRA-FLEX (RG405)
		32	.047 Semi-rigid
		42B	.056 Semi-rigid

SSMB/SCMS* INTERFACE DIMENSIONS



SSMC INTERFACE DIMENSIONS



<p>6M423-XX-*</p> <p>STRAIGHT FEMALE CABLE PLUG</p> <p>Crimp Type For Flexible Cable</p>	<p>6M273-XX-*</p> <p>STRAIGHT FEMALE CABLE PLUG</p> <p>Solder Type For Semi-Rigid or Ultra-Flex Cable</p>	<p>6M426-XX-*</p> <p>RIGHT ANGLE FEMALE CABLE PLUG</p> <p>Crimp Type For Flexible Cable</p>	<p>6M276-XX-*</p> <p>RIGHT ANGLE FEMALE CABLE PLUG</p> <p>Solder Type For Semi-Rigid or Ultra-Flex Cable</p>
<p>6M422-XX-*</p> <p>STRAIGHT MALE CABLE JACK</p> <p>Crimp Type For Flexible Cable</p>	<p>6M272-XX-*</p> <p>STRAIGHT MALE CABLE JACK</p> <p>Solder Type For Semi-Rigid or Ultra-Flex Cable</p>	<p>6M462-XX-*</p> <p>RIGHT ANGLE MALE CABLE JACK</p> <p>Crimp Type For Flexible Cable</p>	<p>6M262-XX-*</p> <p>RIGHT ANGLE MALE CABLE JACK</p> <p>Solder Type For Semi-Rigid or Ultra-Flex Cable</p>
<p>6M424-XX-*</p> <p>STRAIGHT MALE CABLE JACK</p> <p>Crimp Type For Flexible Cable</p>	<p>6M224-XX-*</p> <p>STRAIGHT MALE CABLE JACK</p> <p>Solder Type For Semi-Rigid or Ultra-Flex Cable</p>	<p>6M427-XX-*</p> <p>RIGHT ANGLE MALE CABLE JACK</p> <p>Crimp Type For Flexible Cable</p>	<p>6M227-XX-*</p> <p>RIGHT ANGLE MALE CABLE JACK</p> <p>Solder Type For Semi-Rigid or Ultra-Flex Cable</p>
<p>6M225T-*</p> <p>STRAIGHT MALE JACK RECEPTACLE</p> <p>Rear Mount</p>	<p>6M240T-*</p> <p>STRAIGHT MALE JACK RECEPTACLE</p> <p>Front Mount</p>	<p>6M223T-*</p> <p>RIGHT ANGLE MALE JACK RECEPTACLE</p>	<p>6M261T-*</p> <p>RIGHT ANGLE FEMALE PLUG RECEPTACLE</p>

XX SEE NOTE ON SPECIFICATION SHEET FOR CABLE GROUPS, MATERIAL, FINISH CODES AND MOUNTING HOLE SIZE
PRE-TINNED LEGS AND CONTACTS AVAILABLE BY ADDING SUFFIX "P" TO PART NUMBER (i.e., 6230P-1)

* 1 - indicates gold plating, 7 - indicates nickel

SSMB BULKHEAD MOUNTED & P.C. BOARD RECEPTACLES



<p>6M238T-*</p> <p>STRAIGHT FEMALE PLUG RECEPTACLE</p> <p>Front Mount .093" Max Panel Thickness</p>	<p>6M117T-*</p> <p>STRAIGHT FEMALE PLUG RECEPTACLE</p> <p>Recessed Mount .200" Max Panel Thickness</p>	<p>6M230-*</p> <p>STRAIGHT MALE P.C. BOARD RECEPTACLE</p>	<p>6M230SL-*</p> <p>STRAIGHT MALE P.C. BOARD RECEPTACLE</p> <p>Standoff Legs</p>
<p>6M230TM-*</p> <p>STRAIGHT MALE P.C. BOARD RECEPTACLE</p> <p>Top Mount</p>	<p>6M230EM-*</p> <p>STRAIGHT MALE P.C. BOARD RECEPTACLE</p> <p>Edge Mount</p>	<p>6M231-*</p> <p>RIGHT ANGLE MALE P.C. BOARD RECEPTACLE</p>	<p>6M231SL-*</p> <p>RIGHT ANGLE MALE P.C. BOARD RECEPTACLE</p> <p>Standoff Legs</p>
<p>6M231TM-*</p> <p>RIGHT ANGLE MALE P.C. BOARD JACK RECEPTACLE</p> <p>Top Mount</p>	<p>6M231EM-*</p> <p>RIGHT ANGLE MALE P.C. BOARD JACK RECEPTACLE</p> <p>Edge Mount</p>	<p>6M230B-*</p> <p>STRAIGHT MALE P.C. BOARD JACK RECEPTACLE</p> <p>.125" Max Panel Thickness</p>	<p>6M230BSL-*</p> <p>STRAIGHT MALE P.C. BOARD JACK RECEPTACLE</p> <p>Standoff Legs .125" Max Panel Thickness</p>
<p>6M230BTM-*</p> <p>STRAIGHT MALE P.C. BOARD JACK RECEPTACLE</p> <p>Top Mount .125" Max Panel Thickness</p>	<p>6M230BEM-*</p> <p>STRAIGHT MALE P.C. BOARD JACK RECEPTACLE</p> <p>Edge Mount .125" Max Panel Thickness</p>	<p>6M902-*</p> <p>RIGHT ANGLE MALE P.C. BOARD JACK RECEPTACLE</p> <p>.125" Max Panel Thickness</p>	<p>6M902SL-*</p> <p>RIGHT ANGLE MALE P.C. BOARD JACK RECEPTACLE</p> <p>Standoff Legs .125" Max Panel Thickness</p>

XX SEE NOTE ON SPECIFICATION SHEET FOR CABLE GROUPS, MATERIAL, FINISH CODES AND MOUNTING HOLE SIZE
PRE-TINNED LEGS AND CONTACTS AVAILABLE BY ADDING SUFFIX "P" TO PART NUMBER (i.e., 6230P-1)

* 1 - indicates gold plating, 7 - indicates nickel

<p>6M902TM-*</p> <p>RIGHT ANGLE P.C. BOARD RECEPTACLE</p> <p>Surface Mount Top Mount .125" Max Panel Thickness</p>	<p>6M902EM-*</p> <p>RIGHT ANGLE P.C. BOARD RECEPTACLE</p> <p>Surface Mount Edge Mount .125" Max Panel Thickness</p>	<p>6M246-*</p> <p>STRAIGHT PLUG TYPE P.C. BOARD RECEPTACLE</p>	<p>6M246SL-*</p> <p>STRAIGHT PLUG TYPE P.C. BOARD RECEPTACLE</p> <p>Standoff Legs</p>
<p>6M246TM-*</p> <p>STRAIGHT PLUG TYPE P.C. BOARD RECEPTACLE</p> <p>Surface Mount Top Mount</p>	<p>6M246EM-*</p> <p>STRAIGHT PLUG TYPE P.C. BOARD RECEPTACLE</p> <p>Surface Mount Edge Mount</p>	<p>6M263-*</p> <p>RIGHT ANGLE PLUG TYPE P.C. BOARD RECEPTACLE</p>	<p>6M263SL-*</p> <p>RIGHT ANGLE PLUG TYPE P.C. BOARD RECEPTACLE</p> <p>Standoff Legs</p>
<p>6M263TM-*</p> <p>RIGHT ANGLE PLUG TYPE P.C. BOARD RECEPTACLE</p> <p>Surface Mount Top Mount</p>	<p>6M263EM-*</p> <p>RIGHT ANGLE PLUG TYPE P.C. BOARD RECEPTACLE</p> <p>Surface Mount Edge Mount</p>	<p>6M111A-1-*</p> <p>STRAIGHT PANEL JACK RECEPTACLE</p> <p>Stainless Steel Bodies 4-Hole Flange</p> <p>Also Available: 6M111A-2 2-Hole Flange</p>	<p>6M234-*</p> <p>SSMB MALE JACK TO SSMB MALE JACK ADAPTER</p> <p>SCMS Plugs Will Mate with any SSMB Jack</p>
SCMS CABLE CONNECTORS			
<p>9M883-XX-*</p> <p>STRAIGHT FEMALE PLUG CRIMP TYPE</p> <p>For Flexible Cable</p>	<p>9M273-XX-*</p> <p>STRAIGHT FEMALE PLUG SOLDER TYPE</p> <p>For Semi-Rigid or Ultra-Flex Cable</p>	<p>9M886-XX-*</p> <p>RIGHT ANGLE FEMALE CABLE PLUG</p> <p>Crimp Type For Flexible Cable</p>	<p>9M276-XX-*</p> <p>RIGHT ANGLE FEMALE CABLE PLUG</p> <p>Solder Type For Semi-Rigid or Ultra-Flex Cable</p>

XX SEE NOTE ON SPECIFICATION SHEET FOR CABLE GROUPS, MATERIAL, FINISH CODES AND MOUNTING HOLE SIZE
PRE-TINNED LEGS AND CONTACTS AVAILABLE BY ADDING SUFFIX "P" TO PART NUMBER (i.e., 6230P-1)

* 1 - indicates gold plating, 7 - indicates nickel

SCMS CABLE CONNECTORS, BULKHEAD MOUNTED RECEPTACLES & P.C. BOARD RECEPTACLES



<p>9M885-XX-*</p> <p>RIGHT ANGLE MALE CABLE JACK</p> <p>Crimp Type for Flexible Cable</p>	<p>9M275-XX-*</p> <p>RIGHT ANGLE MALE CABLE JACK</p> <p>Solder Type for Semi-Rigid or Ultra-Flex Cable</p>	<p>9M884-XX-*</p> <p>STRAIGHT MALE CABLE JACK</p> <p>Hex 3/16 Hex 5/32</p> <p>Crimp Type for Flexible Cable .093" Max Panel Thickness</p>	<p>9M824-XX-*</p> <p>STRAIGHT MALE CABLE JACK</p> <p>Hex 3/16 Hex 5/32</p> <p>Solder Type for Semi-Rigid or Ultra-Flex Cable .093" Max Panel Thickness</p>
<p>9M913-XX-*</p> <p>STRAIGHT FEMALE FLOAT MOUNTED PLUG</p> <p>Crimp Type for Flexible Cable .050 Panel Thickness For .093" Panel Thickness, Add "A" to Part Number</p>	<p>9M835-XX-*</p> <p>RIGHT ANGLE FEMALE FLOAT MOUNTED PLUG</p> <p>Crimp Type for Flexible Cable .050 Panel Thickness For .093" Panel Thickness, Add "A" to Part Number</p>	<p>9M825T-*</p> <p>STRAIGHT MALE BULKHEAD JACK RECEPTACLE</p> <p>Hex 3/16 Hex 5/32</p> <p>.093" Max Panel Thickness</p>	<p>9M833T-*</p> <p>RIGHT ANGLE MALE BULKHEAD JACK RECEPTACLE</p> <p>Hex 3/16 .020 dia. .036 dia.</p> <p>.093" Max Panel Thickness</p>
<p>9M838T-*</p> <p>STRAIGHT FEMALE BULKHEAD PLUG RECEPTACLE</p> <p>Hex 3/16 .020 dia.</p> <p>.093" Max Panel Thickness</p>	<p>9M861T-*</p> <p>RIGHT ANGLE FEMALE BULKHEAD PLUG RECEPTACLE</p> <p>Hex 3/16 .020 dia. .036 dia.</p> <p>.093" Max Panel Thickness</p>	<p>9M117T-*</p> <p>STRAIGHT FEMALE BULKHEAD PLUG RECEPTACLE RECESSED MOUNT</p> <p>Hex 3/8 9/32-40 UNS-2A Thread Hex 3/16</p> <p>.250" Max Panel Thickness</p>	<p>9M830-*</p> <p>STRAIGHT MALE P.C. BOARD RECEPTACLE</p> <p>.020 sq. (typ) .156 sq. .100 (typ) .026 dia.</p>
<p>9M830SL-*</p> <p>STRAIGHT MALE P.C. BOARD JACK RECEPTACLE</p> <p>.020 sq. (typ) .156 sq. .100 (typ) .038 sq. (typ) .026 dia.</p> <p>Standoff Legs</p>	<p>9M830TM-*</p> <p>STRAIGHT MALE P.C. BOARD JACK RECEPTACLE</p> <p>.156 sq. .080 .289 .264 .025 .038 (typ)</p> <p>Top Mount</p>	<p>9M830EM-*</p> <p>STRAIGHT MALE P.C. BOARD JACK RECEPTACLE</p> <p>.031 (P.C. Board Thickness) .156 sq. .020 (typ) .026 dia.</p> <p>Edge Mount</p>	<p>9M831-*</p> <p>RIGHT ANGLE MALE P.C. BOARD JACK RECEPTACLE</p> <p>.156 sq. .026 dia. .020 sq. (typ) .38 .155</p>

XX SEE NOTE ON SPECIFICATION SHEET FOR CABLE GROUPS, MATERIAL, FINISH CODES AND MOUNTING HOLE SIZE
PRE-TINNED LEGS AND CONTACTS AVAILABLE BY ADDING SUFFIX "P" TO PART NUMBER (i.e., 6230P-1)

* 1 - indicates gold plating, 7 - indicates nickel

<p>9M831SL-*</p> <p>RIGHT ANGLE MALE P.C. BOARD JACK RECEPTACLE</p> <p>Standoff Legs</p>	<p>9M731-*</p> <p>RIGHT ANGLE MALE P.C. BOARD JACK RECEPTACLE</p>	<p>9M931SL-*</p> <p>RIGHT ANGLE MALE P.C. BOARD JACK RECEPTACLE</p> <p>Standoff Legs</p>	<p>9M841-*</p> <p>STRAIGHT FEMALE PLUG TYPE P.C. BOARD RECEPTACLE</p>
<p>9M841SL-*</p> <p>STRAIGHT FEMALE PLUG TYPE P.C. BOARD RECEPTACLE</p> <p>Standoff Legs</p>	<p>9M841TM-*</p> <p>STRAIGHT FEMALE PLUG TYPE P.C. BOARD RECEPTACLE</p> <p>Top Mount</p>	<p>9M841EM-*</p> <p>STRAIGHT FEMALE PLUG TYPE P.C. BOARD RECEPTACLE</p> <p>Edge Mount</p>	<p>9M863-*</p> <p>RIGHT ANGLE FEMALE PLUG TYPE P.C. BOARD RECEPTACLE</p>
<p>9M863SL-*</p> <p>RIGHT ANGLE FEMALE PLUG TYPE P.C. BOARD RECEPTACLE</p> <p>Standoff Legs</p>	<p>9M863TM-*</p> <p>RIGHT ANGLE FEMALE PLUG TYPE P.C. BOARD RECEPTACLE</p> <p>Top Mount</p>	<p>9M863EM-*</p> <p>RIGHT ANGLE FEMALE PLUG TYPE P.C. BOARD RECEPTACLE</p> <p>Edge Mount</p>	
<p>SSMC CABLE CONNECTORS</p>			
<p>8M323-XX-*</p> <p>STRAIGHT FEMALE CABLE PLUG</p> <p>Crimp Type for Flexible Cable</p>	<p>8M273-XX-*</p> <p>STRAIGHT FEMALE CABLE PLUG</p> <p>Solder Type for Semi-Rigid or Ultra-Flex Cable</p>	<p>8M326-XX-*</p> <p>RIGHT ANGLE FEMALE CABLE PLUG</p> <p>Crimp Type for Flexible Cable</p>	<p>8M276-XX-*</p> <p>RIGHT ANGLE FEMALE CABLE PLUG</p> <p>Solder Type for Semi-Rigid or Ultra-Flex Cable</p>

XX SEE NOTE ON SPECIFICATION SHEET FOR CABLE GROUPS, MATERIAL, FINISH CODES AND MOUNTING HOLE SIZE
 PRE-TINNED LEGS AND CONTACTS AVAILABLE BY ADDING SUFFIX "P" TO PART NUMBER (i.e., 6230P-1)

* 1 - indicates gold plating, 7 - indicates nickel

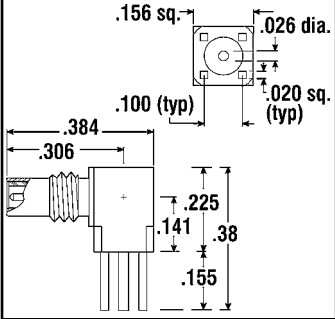
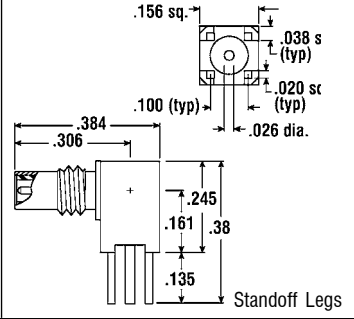
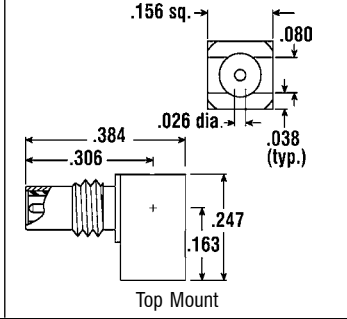
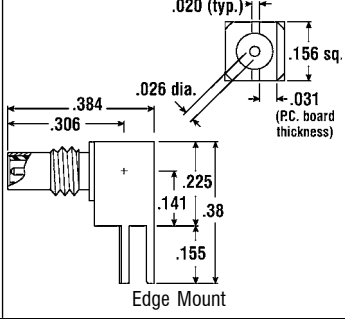
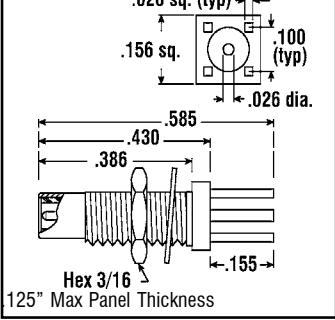
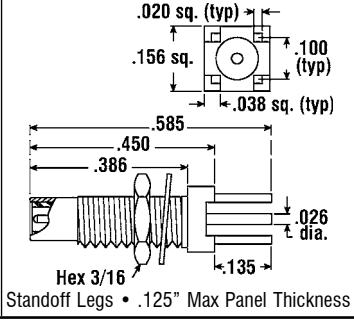
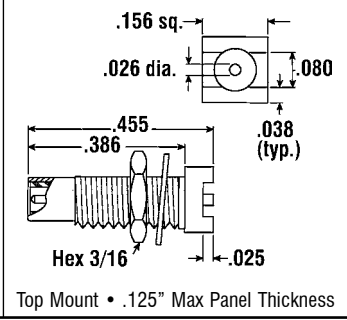
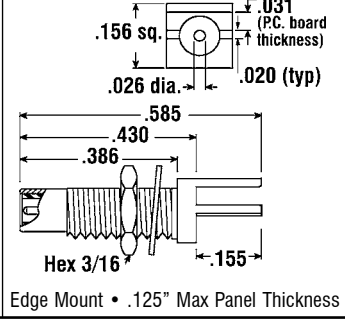
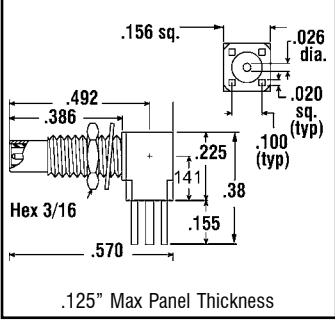
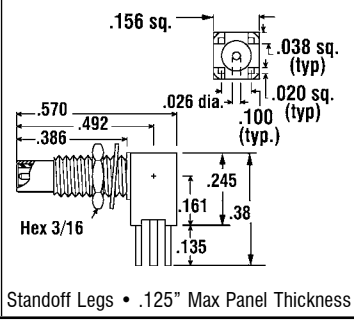
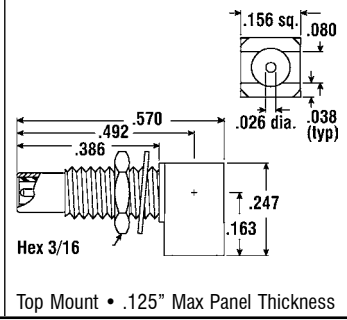
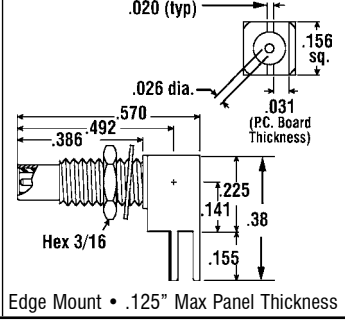
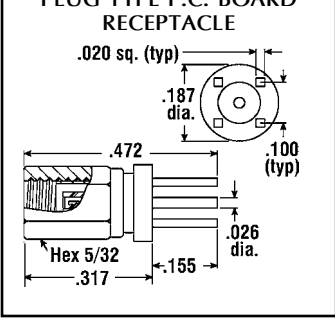
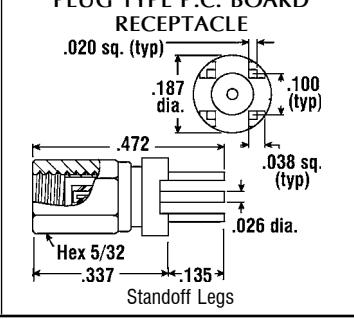
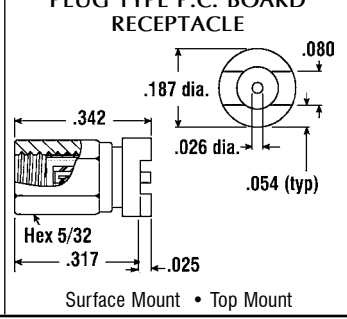
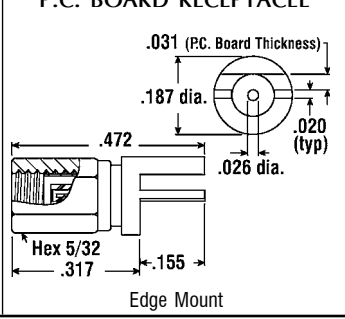
SSMC P.C. BOARD RECEPTACLES



<p>8M122-XX-*</p> <p>STRAIGHT MALE CABLE JACK</p> <p>Solder Type for Semi-Rigid or Ultra-Flex Cable</p>	<p>8M322-XX-*</p> <p>STRAIGHT MALE CABLE JACK</p> <p>Crimp Type for Flexible Cable</p>	<p>8M362-XX-*</p> <p>RIGHT ANGLE MALE CABLE JACK</p> <p>Crimp Type for Flexible Cable</p>	<p>8M162-XX-*</p> <p>RIGHT ANGLE MALE CABLE JACK</p> <p>Solder Type for Semi-Rigid or Ultra-Flex Cable</p>
<p>8M324-XX-*</p> <p>STRAIGHT MALE CABLE JACK</p> <p>Crimp Type for Flexible Cable .093" Max Panel Thickness</p>	<p>8M124-XX-*</p> <p>STRAIGHT MALE CABLE JACK</p> <p>Solder Type for Semi-Rigid or Ultra-Flex Cable .093" Max Panel Thickness</p>	<p>8M327-XX-*</p> <p>RIGHT ANGLE MALE CABLE JACK</p> <p>Crimp Type for Flexible Cable .125" Max Panel Thickness</p>	<p>8M227-XX-*</p> <p>RIGHT ANGLE MALE BULKHEAD JACK</p> <p>Solder Type for Semi-Rigid or Ultra-Flex Cable .125" Max Panel Thickness</p>
<p>8M225T-*</p> <p>STRAIGHT MALE BULKHEAD JACK RECEPTACLE</p> <p>Rear Mount .093" Max Panel Thickness</p>	<p>8M240T-*</p> <p>STRAIGHT MALE BULKHEAD JACK RECEPTACLE</p> <p>Front Mount .093" Max Panel Thickness</p>	<p>8M223T-*</p> <p>RIGHT ANGLE MALE BULKHEAD JACK RECEPTACLE</p> <p>.093" Max Panel Thickness</p>	<p>8M261T-*</p> <p>RIGHT ANGLE FEMALE BULKHEAD RECEPTACLE PLUG</p> <p>.093" Max Panel Thickness</p>
<p>8M238T-*</p> <p>STRAIGHT FEMALE BULKHEAD PLUG RECEPTACLE</p> <p>Front Mount .093" Max Panel Thickness</p>	<p>8M130-*</p> <p>STRAIGHT MALE JACK</p> <p>Standard Legs Add "SL" to Part Number for Standoff Legs</p>	<p>8M130TM-*</p> <p>STRAIGHT MALE JACK</p> <p>Top Mount</p>	<p>8M130EM-*</p> <p>STRAIGHT MALE JACK</p> <p>Edge Mount</p>

XX SEE NOTE ON SPECIFICATION SHEET FOR CABLE GROUPS, MATERIAL, FINISH CODES AND MOUNTING HOLE SIZE
PRE-TINNED LEGS AND CONTACTS AVAILABLE BY ADDING SUFFIX "P" TO PART NUMBER (i.e., 6230P-1)

* 1 - indicates gold plating, 7 - indicates nickel

<p>8M131-*</p> <p>RIGHT ANGLE MALE JACK</p> 	<p>8M131SL-*</p> <p>RIGHT ANGLE MALE</p> 	<p>8M131TM-*</p> <p>RIGHT ANGLE MALE</p> 	<p>8M131EM-*</p> <p>RIGHT ANGLE MALE</p> 
<p>8M130B-*</p> <p>STRAIGHT MALE JACK</p>  <p>125" Max Panel Thickness</p>	<p>8M130BSL-*</p> <p>STRAIGHT MALE JACK</p>  <p>Standoff Legs • .125" Max Panel Thickness</p>	<p>8M130BTM-*</p> <p>STRAIGHT MALE JACK</p>  <p>Top Mount • .125" Max Panel Thickness</p>	<p>8M130BEM-*</p> <p>STRAIGHT MALE JACK</p>  <p>Edge Mount • .125" Max Panel Thickness</p>
<p>8M902-*</p> <p>RIGHT ANGLE MALE JACK</p>  <p>.125" Max Panel Thickness</p>	<p>8M902SL-*</p> <p>RIGHT ANGLE MALE JACK</p>  <p>Standoff Legs • .125" Max Panel Thickness</p>	<p>8M902TM-*</p> <p>RIGHT ANGLE MALE JACK</p>  <p>Top Mount • .125" Max Panel Thickness</p>	<p>8M902EM-*</p> <p>RIGHT ANGLE MALE JACK</p>  <p>Edge Mount • .125" Max Panel Thickness</p>
<p>8M146-*</p> <p>STRAIGHT FEMALE PLUG TYPE P.C. BOARD RECEPTACLE</p> 	<p>8M146SL-*</p> <p>STRAIGHT FEMALE PLUG TYPE P.C. BOARD RECEPTACLE</p>  <p>Standoff Legs</p>	<p>8M146TM-*</p> <p>STRAIGHT FEMALE PLUG TYPE P.C. BOARD RECEPTACLE</p>  <p>Surface Mount • Top Mount</p>	<p>8M146EM-*</p> <p>STRAIGHT FEMALE PLUG TYPE P.C. BOARD RECEPTACLE</p>  <p>Edge Mount</p>

XX SEE NOTE ON SPECIFICATION SHEET FOR CABLE GROUPS, MATERIAL, FINISH CODES AND MOUNTING HOLE SIZE
PRE-TINNED LEGS AND CONTACTS AVAILABLE BY ADDING SUFFIX "P" TO PART NUMBER (i.e., 6230P-1)

* 1 - indicates gold plating, 7 - indicates nickel

SSMC P.C. BOARD RECEPTACLES, TERMINATIONS, ADAPTERS



<p>8M163-*</p> <p>RIGHT ANGLE FEMALE PLUG TYPE P.C. BOARD RECEPTACLE</p> <p>Hex 5/32</p>	<p>8M163SL-*</p> <p>RIGHT ANGLE FEMALE PLUG TYPE P.C. BOARD RECEPTACLE</p> <p>Hex 5/32</p> <p>Standoff Legs</p>	<p>8M163TM-*</p> <p>RIGHT ANGLE FEMALE PLUG TYPE P.C. BOARD RECEPTACLE</p> <p>Hex 5/32</p> <p>Top Mount</p>	
<p>8M163EM-*</p> <p>RIGHT ANGLE FEMALE PLUG TYPE P.C. BOARD RECEPTACLE</p> <p>Hex 5/32</p> <p>Edge Mount</p>	<p>8M111A-1-*</p> <p>STRAIGHT PANEL MALE JACK RECEPTACLE</p> <p>4-Hole Flange</p>	<p>8M112A-*</p> <p>STRAIGHT PANEL MALE JACK RECEPTACLE</p> <p>2-Hole Flange</p>	
<p>CABLE TERMINATIONS</p>			
<p>6M167-XX-*</p> <p>STRAIGHT P.C. BOARD</p>	<p>6M167SL-XX-*</p> <p>STRAIGHT P.C. BOARD</p> <p>Standoff Legs</p>	<p>6M167EM-XX-*</p> <p>STRAIGHT P.C. BOARD</p> <p>Edge Mount</p>	<p>6M266-XX-*</p> <p>RIGHT ANGLE P.C. BOARD</p>
<p>6M266SL-XX-*</p> <p>STRAIGHT P.C. BOARD</p> <p>Standoff Legs</p>	<p>6M266EM-XX-*</p> <p>STRAIGHT P.C. BOARD</p> <p>Edge Mount</p>	<p>6M266TM-XX-*</p> <p>RIGHT ANGLE P.C. BOARD</p> <p>Top Mount</p>	<p>8M234-*</p> <p>SSMC MALE JACK TO SSMC MALE JACK ADAPTER</p> <p>Hex 3/16 A.F. Hex 5/32 A.F.</p>

XX SEE NOTE ON SPECIFICATION SHEET FOR CABLE GROUPS, MATERIAL, FINISH CODES AND MOUNTING HOLE SIZE
 PRE-TINNED LEGS AND CONTACTS AVAILABLE BY ADDING SUFFIX "P" TO PART NUMBER (i.e., 6230P-1)

* 1 - indicates gold plating, 7 - indicates nickel

COAXICOM 75 Ω connectors are designed to provide a well-matched system impedance for critical telecommunication and CATV applications. They are available in both a Snap-On configuration with an interface similar to but larger than the SMB (the Snap-On series is also known as SMZ in the industry) and a Screw-On configuration, with an interface similar to but larger than the SMC. Both configurations are rated to 2 GHz, but have been successfully used to above 4 GHz.

COAXICOM also offers positive locking Snap-On plugs. See page 52 for details.

COAXICOM 75 Ω connectors are most often used with the 75 Ω cables in groups 24A, 25B and 28A shown in the table. Of particular note is the availability of both configurations for use on 75 Ω Ultra-Flex (cable group 31). The connectors are also available for many 50 Ω cables.

Within-series adapters are available in both configurations. Users may specify the finish for connectors and adapters as either nickel plated (suffix -7) or gold plated (suffix -1).

CABLE GROUPS

24	24A	RG174, 179, 187, 188, 316, LMR100, 100A
	24B	Not applicable for this series
25	25A	Not applicable for this series
	25B	RG180, 195, Essex 21-597
28	28A	RG59, 62, 210, M17/29, M17/30
30		RG402, M17/130, 50 Ω & 75 Ω .141 Semi Rigid, ULTRA-FLEX
31		RG405, M17/133, 50 Ω & 75 Ω .085 Semi Rigid & ULTRA-FLEX
50		735A (COMMSCOPE, AT&T), BELDEN735A1

ELECTRICAL

Impedance	75 Ω nominal		
Frequency Range	0 to 2 GHz		
Voltage Rating (max)	250 VRMS at sea level		
Voltage Drop (max)	4 millivolts max. at 1 amp., including mating connector.		
Insulation Resistance	1,000 Megohms (min.)		
Contact Resistance: milliohms max.	Initial	Straight	Rt. Angle
	Center	6.0	12.0
	Outer Contact	1.0	1.0
	Braid to Body	1.0	1.0
Dielectric Withstanding Voltage (Sea level)	2000 VRMS (RG180 cable)		
Corona Level (70,000 ft)	350 volts (RG180 cable)		
RF High Potential Voltage	Frequency 5 Mhz, RG180 cable, 1000 VRMS		
RF Leakage min. at 2 to 3 GHz	SNAP-ON: -55 dB; SCREW-ON: -60 dB		
Insertion Loss (dB) max. at 1.5 GHz	STRAIGHT: 0.30; RIGHT ANGLE: 0.60		

MATING CHARACTERISTICS

Interface Design	Interchangeable with leading manufacturers	
Engagement Force:	Snap-On	Screw-On
Longitudinal Force	14 lbs. max.	Not applicable
Torque	Not applicable	90 inch oz.
Cable Pullout Resistance	18 lbs. min., clamp & crimp types	
Coupling Nut Pullout Resistance	Female screw-on types, 35 lbs. min. to 100 lbs.	

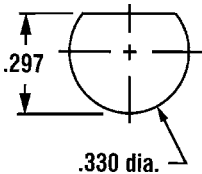
MATERIALS

Body Components, Male Contact & Nuts	Brass per ASTM B16, ALLOY 360, half hard
Spring Contacts	Beryllium Copper per ASTM B196, condition HT
Insulators	TFE per ASTM-D-1710
Lockwashers	Phosphor Bronze per ASTM B139

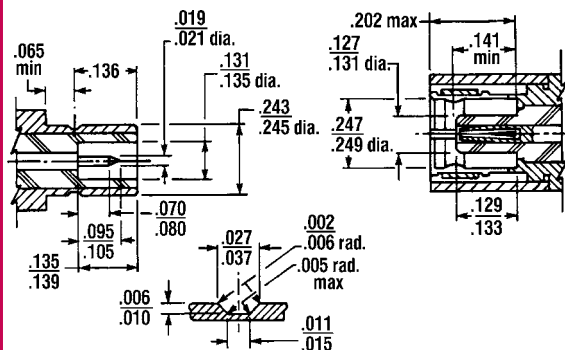
FINISH

Center Contacts	Gold plated per MIL-PRF-39012, IAW MIL-G-45204
Other Metal Parts	Gold plated per MIL-G-45204, Type II, Class 1, Grade C over copper per MIL-C-14550, Class 4, or nickel per QQ-N-290.

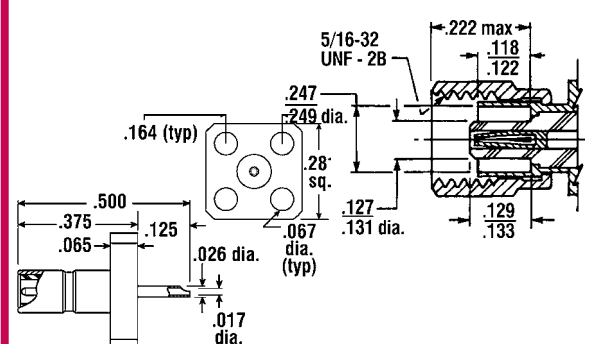
RECOMMENDED MOUNTING HOLE (±.003)



75 Ω SNAP-ON INTERFACE DIMENSIONS



75 Ω SCREW-ON INTERFACE DIMENSIONS



75 Ω SCREW-ON TYPE CONNECTORS, ADAPTERS & TERMINATION



<p>8723-XX-*</p> <p>STRAIGHT FEMALE CABLE PLUG</p> <p>11/32 hex</p> <p>Clamp for Flexible Cable Solder/Clamp for Cable Groups 30 & 31</p>	<p>8733-XX-*</p> <p>STRAIGHT FEMALE CABLE PLUG</p> <p>1.09 .375</p> <p>11/32 hex</p> <p>Crimp Type</p>	<p>8726-XX-*</p> <p>RIGHT ANGLE FEMALE CABLE PLUG</p> <p>.75 .562 .72 .531</p> <p>11/32 hex</p> <p>Clamp for Flexible Cable Solder/Clamp for Cable Groups 30 & 31</p>	<p>8736-XX-*</p> <p>RIGHT ANGLE FEMALE CABLE PLUG</p> <p>.75 .562 .75 .562 .375</p> <p>11/32 hex</p> <p>Crimp Type</p>
---	--	---	--

<p>8722-XX-*</p> <p>STRAIGHT MALE CABLE JACK</p> <p>.72</p> <p>11/32 hex</p> <p>Clamp for Flexible Cable Solder/Clamp for Cable Groups 30 & 31</p>	<p>8732-XX-*</p> <p>STRAIGHT MALE CABLE JACK</p> <p>1.08 .375</p> <p>11/32 hex</p> <p>Crimp Type</p>	<p>8724-XX-*</p> <p>STRAIGHT MALE BULKHEAD CABLE JACK Max Panel=0.136"</p> <p>.460 .84</p> <p>3/8 hex 11/32 hex</p> <p>Clamp for Flexible Cable Solder/Clamp for Cable Groups 30 & 31</p>	<p>8734-XX-*</p> <p>STRAIGHT MALE BULKHEAD CABLE JACK Max Panel=0.136"</p> <p>.460 1.20 .375</p> <p>3/8 hex 11/32 hex</p> <p>Crimp Type</p>
--	--	---	---

<p>8725-*</p> <p>STRAIGHT MALE CHASSIS JACK RECEPTACLE Max Panel=0.136"</p> <p>.61 .449 .150 .040 dia. .062 dia. 3/8 hex</p> <p>Nut in Front of Panel</p>	<p>8740-*</p> <p>STRAIGHT MALE CHASSIS JACK RECEPTACLE</p> <p>.61 .310 .170 .040 dia. .062 dia. 3/8 hex</p> <p>Nut in Back of Panel</p>	<p>8730-*</p> <p>STRAIGHT MALE RECEPTACLE PRINTED CIRCUIT</p> <p>.450 .295 .155 .375 sq. (typ) .200 (typ) .036 dia. .040 sq. (typ)</p>	<p>8731-*</p> <p>RIGHT ANGLE MALE RECEPTACLE PRINTED CIRCUIT</p> <p>.56 .217 .155 .375 sq. (typ) .200 (typ) .036 dia. .67 .482 .040 sq. (typ)</p>
---	---	--	---

ADAPTERS AND TERMINATION

<p>8728-*</p> <p>MALE TO MALE TO MALE</p> <p>.97 .48 (typ) .67 .48</p> <p>Available with Offset Bracket Upon Request</p>	<p>8729-*</p> <p>FEMALE TO FEMALE TO FEMALE</p> <p>1.05 .73 .37 sq. 11/32 hex .75</p> <p>Available with Offset Bracket Upon Request</p>	<p>8811-*</p> <p>BULKHEAD MOUNTED STRAIGHT MALE JACK TO JACK ADAPTER Max Panel=0.136"</p> <p>.450 .750</p> <p>3/8 hex</p>	<p>8705F-75-1</p> <p>FEMALE PLUG RESISTIVE TERMINATION (1/2 W, 5%)</p> <p>.86</p> <p>11/32 hex</p>
--	---	---	--

XX SEE NOTE ON SPECIFICATION SHEET FOR CABLE GROUPS, MATERIAL, FINISH CODES.
* 1 indicates gold plating, -7 indicates nickel plating. NOTE: Bulkhead models are designed for use with .093" max. thick panel.

<p>6743-XX-* / 6753-XX-*</p> <p>STRAIGHT FEMALE CABLE PLUG 6743 Clamp Type 6753 Crimp Type</p>	<p>6746-XX-*</p> <p>RIGHT ANGLE FEMALE CABLE PLUG</p>	<p>6756-XX-*</p> <p>RIGHT ANGLE FEMALE CABLE PLUG</p>	<p>6744-XX-* / 6754-XX-*</p> <p>STRAIGHT MALE BULKHEAD CABLE JACK 6744 Clamp Type 6754 Crimp Type</p>
---	--	--	--

<p>6742-XX-* / 6752-XX-*</p> <p>STRAIGHT MALE CABLE JACK 6742 Clamp Type 6752 Crimp Type</p>	<p>POSITIVE LOCKING CRIMP PLUGS</p> <p>6753L-XX-* STRAIGHT FEMALE</p> <p>6756L-XX-* RIGHT ANGLE FEMALE</p> <p>FEATURES</p> <ul style="list-style-type: none"> • RETRACTABLE SPRING COLLAR • VISUAL LOCKING STATUS • MATES WITH ANY STANDARD 75 OHM SNAP-ON JACK • AVAILABLE FOR CABLE GROUPS 24A, 25B 	
---	---	--

<p>6750-*</p> <p>STRAIGHT MALE RECEPTACLE PRINTED CIRCUIT</p>	<p>6751-*</p> <p>RIGHT ANGLE MALE RECEPTACLE PRINTED CIRCUIT</p>	<p>6745-*</p> <p>STRAIGHT MALE CHASSIS RECEPTACLE</p>	<p>6760-*</p> <p>STRAIGHT MALE CHASSIS RECEPTACLE</p>
--	---	--	--

<p>ADAPTERS AND TERMINATION</p>			
<p>6748-*</p> <p>MALE TO MALE TO MALE</p>	<p>6749-*</p> <p>FEMALE TO FEMALE TO FEMALE</p>	<p>6820-*</p> <p>STRAIGHT MALE JACK TO JACK</p>	<p>6705F-75-1</p> <p>FEMALE PLUG RESISTIVE TERMINATION (1/2 W, 5%)</p>

XX-* SEE NOTE ON SPECIFICATION SHEET FOR CABLE GROUPS, MATERIAL, FINISH CODES.

* 1 indicates gold plating, -7 indicates nickel plating. NOTE: Bulkhead models are designed for use with .093" max. thick panel.

BNC SPECIFICATIONS



COAXICOM BNC CONNECTORS are miniature units that feature a quick disconnect 2-stud bayonet lock coupling mechanism. They are available in a variety of flexible and semirigid cable termination styles. Bulkhead and panel mount cable connectors and receptacles are also featured, as well as straight and right angle PCB jacks. Most connectors are available in 75 Ω by adding a -75 suffix to the end of the part number.

This catalog summarizes a small cross-section of COAXICOM's BNC connectors and adapters. We can also supply reverse polarized connectors, bulkhead mounted hermetically sealed adapters, as well as bulkhead adapters with isolated ground. Coaxicom also offers a selection of twinaxial (TWBNC) BNC type connectors with 2-stud coupling. They are similar in size to BNC connectors, and are best suited for use with RG-108/U and similar cables. Twinaxial connectors have a nominal impedance of 78 Ω and a frequency range of DC-500 MHz. All other specifications are the same as those of standard BNC's.

MILITARY SPECIFICATIONS

MIL-PRF-39012, MIL-A-55339, MIL-C-83517 and MIL-STD-348 as applicable.

MATERIAL

Body parts, Male Contacts	Brass per ASTM-B16
Female Contacts	Beryllium Copper per ASTM-B196
Insulators	TFE per ASTM-D-1457
Gaskets	Silicon rubber per ZZ-R-765
Ferrules	Brass 1/2 Hard, QQ-B-626

MECHANICAL

Max. Force to Engage/Disengage	Axial: 3 lbs. Torque: 2.5 in-lbs.
Coupling Mechanism	2-Stud Bayonet, IAW MIL-STD-348
Coupling Nut Retention	100 lbs. min (plugs only)
Durability	500 cycles min.

ELECTRICAL

Frequency Range	50 Ω: DC-4 GHz. 75 Ω: DC-1GHz. TWBNC: DC-500 MHz.
Nominal Impedance	50, 75, and 78 Ω (TWBNC)
VSWR	50 Ω: 1.3:1 max, 75 Ω 1.15:1
Insertion Loss (50 Ω)	0.2 dB max @ 3 GHz.
RF Leakage (50 Ω)	-55 dB min, 2-3 GHz.
Dielectric Withstanding Voltage	1500 VRMS @ Sea Level
Insulation Resistance	5000 Megohms min
Voltage Rating	500 VRMS @ Sea Level
Center Contact Resistance	1.5 milliohms max. initial

ENVIRONMENTAL

Temperature Range	-65° C to 165° C
Vibration	Method 204, Test Condition B
Shock	Method 213, Test Condition C
Thermal Shock	Method 107, Test Condition B
Corrosion [Salt Spray]	Method 101, Test Condition B
Moisture Resistance	Method 106 (High Humidity N/A)
Altitude	Method 105, Test Condition C
Hermeticity	Helium Leak Test, 10 ⁻⁷ cc/sec

FINISH

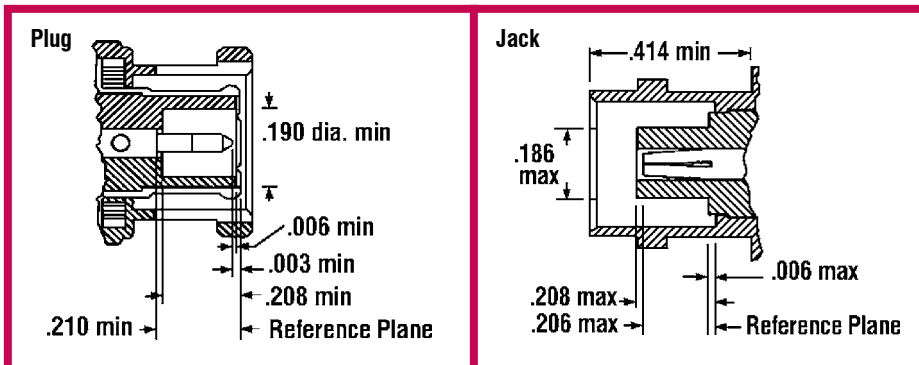
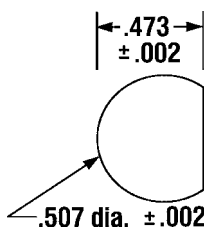
Nickel plating is standard on most connectors. Gold and silver are also available. Center contacts are gold plated per MIL-PRF-39012, IAW MIL-G-45204.

CABLE GROUPS

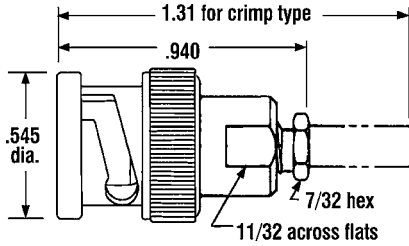
22	22A	RG55A, 142, 142A, 223, 400, M17/60, M17/128	27	27B	RG303, M17/111
	22B	RG55, 55B, 142B, M17/184, LMR195	28	28A	RG59, 59A, 59B, 62, 62A, 62B, 62C, 210, M17/29, M17/30, M17/97
23		RG178, 178A, 178B, 196, 196A, 404		28B	RG71, 71A, 71B, 302, M17/90, M17/110, RG59DS
24	24A	RG174, 188A, 316, M17/172, M17/173, LMR100, 101	29		RG174DS, RG316DS, RG188DS, TIMES RD316
	24B	RG161, 179, 179A, 179B, 187, 187A, M17/94, M17/136, Belden 9221	30		.141 Semirigid and ULTRA-FLEX, RG402, M17/130
26		RG178DS, RG196DS, Microdot 250-3908	31		.085 Semirigid and ULTRA-FLEX, RG405, M17/133
27	27A	RG58, 58A, 58C, 141, 141A, M17/28, M17/155, M17/170	32	32B	RG11, 11A, M17/6

BNC INTERFACE DIMENSIONS

RECOMMENDED BULKHEAD MOUNTING HOLE



STRAIGHT PLUG



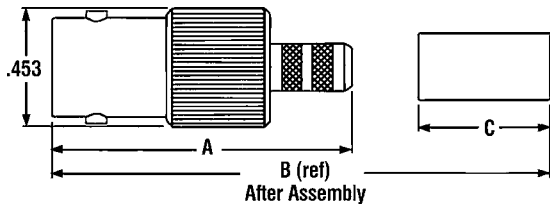
FOR FLEXIBLE, SEMI-RIGID OR ULTRA-FLEX CABLE

MODEL	2541-5XX-*	2541-7XX-*	2541-4XX-*
CABLE GROUP	23, 24, 26, 29	23, 24, 26, 29	30, 31
NOTES	clamp type for flexible cable	crimp type for flexible cable	solder clamp for semi-rigid or ultra-flex cable

XX: Insert Cable Group code into Part Number from above table where applicable.

See page 53 for additional cable options or contact factory.

STRAIGHT CRIMP JACK

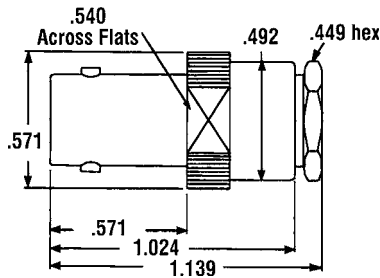


FOR FLEXIBLE CABLE

MODEL	2091CC-22A-*		2091CC-24A-*	
CABLE	RG55, 142		RG188, 316	
DIM	A	1.135	A	1.076
	B	1.323	B	1.375
	C	.500	C	.522
NOTES	captive center contact crimp type		captive center contact crimp type	

See page 53 for additional cable options or contact factory.

STRAIGHT CLAMP JACK

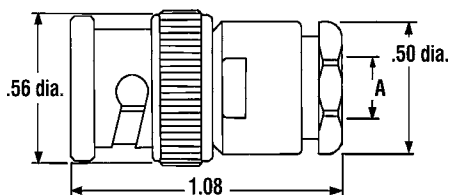


FOR FLEXIBLE CABLE

MODEL	2091FCC-22A/27A-*	2091FCC-28A-*
CABLE	RG55, 58, 141	RG59, 62
NOTES	captive center contact	captive center contact

See page 53 for additional cable options or contact factory.

STRAIGHT CLAMP PLUG



FOR FLEXIBLE CABLE

MODEL	2917-22/27A-*	2917-28A-*	2917-24A-*
CABLE	RG55, 58, 141, 142	RG59, 61, 71, 210	RG188, 316
DIM A:	.224	.258	.115
NOTES	silver plated center contact	silver plated center contact	silver plated center contact

See page 53 for additional cable options or contact factory.

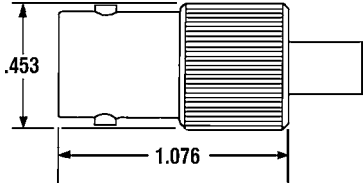
*-1 indicates gold plating, -4 indicates silver plating, -7 indicates nickel plating.

For Reverse Polarized add "RP" to part number. * For commercial option, add "G" after base of P/N (ex. 2206G-30-*).

BNC COAXIAL CONNECTORS



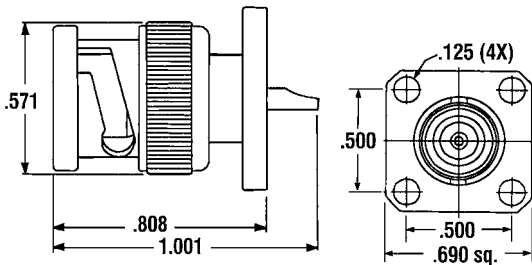
STRAIGHT JACK



FOR SEMI-RIGID OR ULTRA-FLEX CABLE

MODEL	2202-30-*	2202-31-*
CABLE	RG402, M17/130, Ultra-Flex	RG405, M17/133, Ultra-Flex
NOTES	direct solder attach	direct solder attach

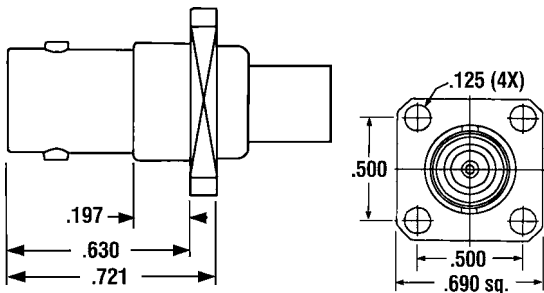
FLANGE MOUNT PLUG



RECEPTACLE

MODEL	2111-*
NOTES	captured center contact solder pot flush rear terminal

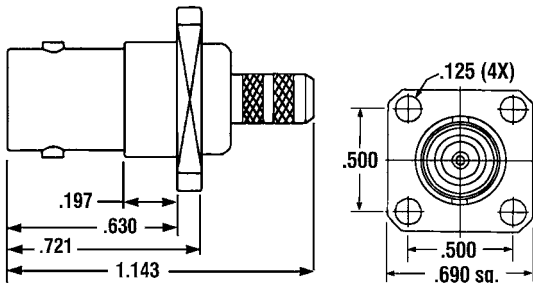
FLANGE MOUNT JACK



FOR SEMI-RIGID OR ULTRA-FLEX CABLE

MODEL	2206-30-*	2206-31-*
CABLE	RG402, M17/130, Ultra-Flex	RG405, M17/133, Ultra-Flex
DIM A:	.144	.089
DIM B:	.180	.120
NOTES	direct solder	direct solder

FLANGE MOUNT JACK CRIMP



FOR FLEXIBLE CABLE

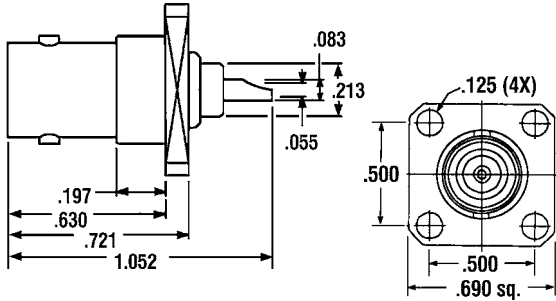
MODEL	2046-CC-27-*	2046-CC-22-*	2046-CC-24A-*	2046-CC-24B-*
CABLE	RG58, 141, 303	RG55, 142, 223, 400	RG174, 188, 316	RG179, 187

NOTE: Total length after assembly = 1.34 REF.

*-1 indicates gold plating, -4 indicates silver plating, -7 indicates nickel plating.

For Reverse Polarized add "RP" to part number. * For commercial option, add "G" after base of P/N (ex. 2206G-30-*).

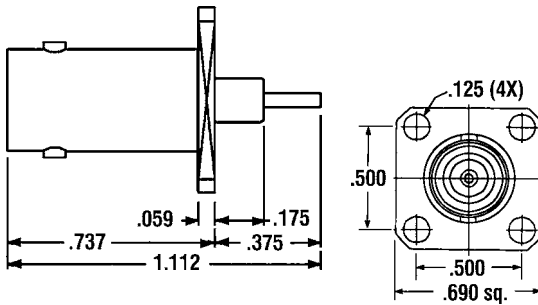
FLANGE MOUNT JACK



RECEPTACLE

MODEL	2215A-*
NOTES	captured center contact extended teflon solder pot terminal

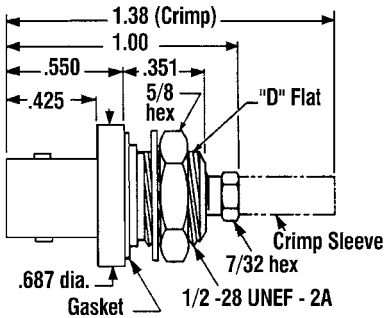
FLANGE MOUNT JACK



RECEPTACLE

MODEL	2204-CC-*
NOTES	captured center contact blunt post

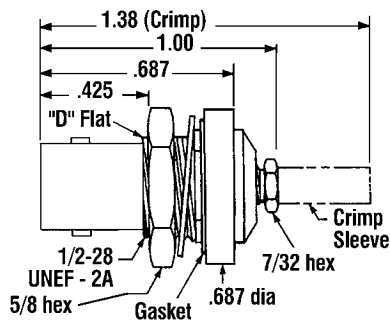
FRONT MOUNT BULKHEAD JACK



FOR FLEXIBLE, SEMI-RIGID OR ULTRA-FLEX CABLE

MODEL	2578-5XX-*	2578-7XX-*	2578-4XX-*
CABLE GROUP	23, 24, 26, 29	23, 24, 26, 29	30, 31
NOTES	clamp type for flexible cable	crimp type for flexible cable	solder-clamp for semi-rigid and Ultra-Flex cable

REAR MOUNT BULKHEAD JACK



FOR FLEXIBLE, SEMI-RIGID OR ULTRA-FLEX CABLE

MODEL	2540-5XX-*	2540-7XX-*	2540-4XX-*
CABLE GROUP	23, 24, 26, 29	23, 24, 26, 29	30, 31
NOTES	clamp type for flexible cable	crimp type for flexible cable	solder-clamp for semi-rigid and Ultra-Flex cable

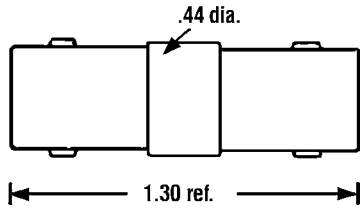
*-1 indicates gold plating, -4 indicates silver plating, -7 indicates nickel plating.

* For commercial option, add "G" after base of P/N (ex. 2206G-30-*).

BNC INTRA-SERIES ADAPTERS



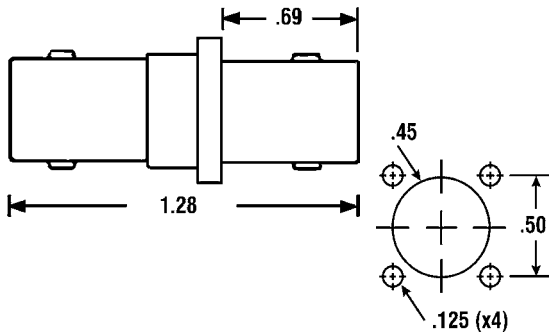
FEMALE TO FEMALE ADAPTER



STRAIGHT IN-LINE

MODEL	2217-*	2217-75-*
NOTES	50 Ohms silver plated center conductor	75 Ohms silver plated center conductor

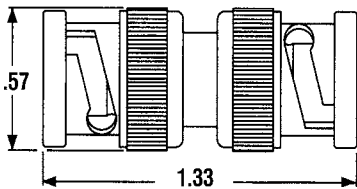
FEMALE TO FEMALE ADAPTER



PANEL MOUNT

MODEL	2145-*	2145-75-*
NOTES	50 Ohms silver plated center conductor	75 Ohms silver plated center conductor

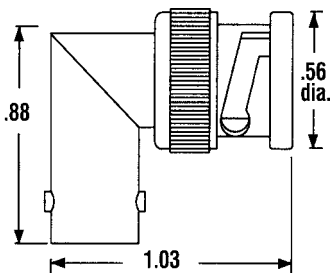
MALE TO MALE ADAPTER



STRAIGHT IN-LINE

MODEL	2218-*	2218-75-*
NOTES	50 Ohms	75 Ohms

MALE TO FEMALE ADAPTER



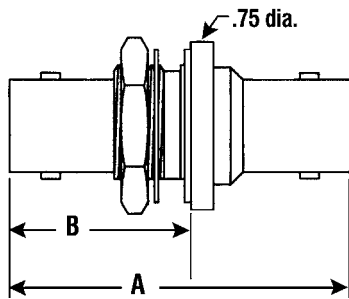
RIGHT ANGLE

MODEL	2219-*	2219-75-*
NOTES	50 Ohms silver plated center conductor	75 Ohms silver plated center conductor

*-1 indicates gold plating, -4 indicates silver plating, -7 indicates nickel plating.

* For commercial option, add "G" after base of P/N (ex. 2206G-30-*).

FEMALE TO FEMALE ADAPTER

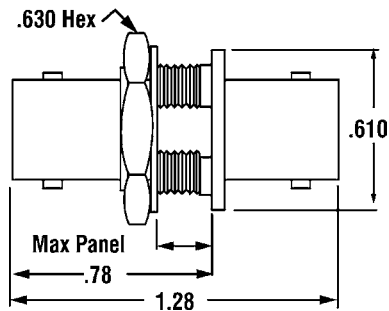


BULKHEAD MOUNTING

MODEL	2208-*	2209A-*-1A	2209A-*-1B	2209A-*-1C
DIM A:	1.53	1.55	1.40	1.28
DIM B:	.88	.88	.85	.79
Max. Panel	.315	.315	.276	.217
NOTES	hermetic silver contact	gold plated contact	gold plated contact	gold plated contact

For 75 Ohms, insert -75 after basic part number. (Example: 2209A-7-1C-75)

FEMALE TO FEMALE ADAPTER

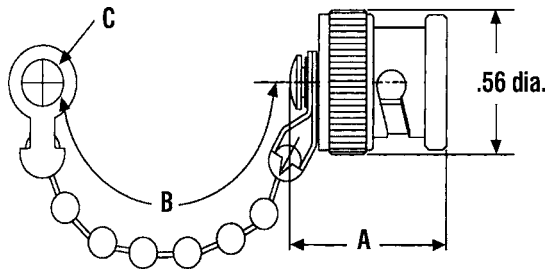


ISOLATED BULKHEAD MOUNTING

MODEL	2209AI-*-1C	2209AI-*-1A
Max. Panel	.217	.177
NOTES:	isolated from ground	isolated bushing

For 75 Ohms, insert -75 after basic part number. (Example: 2209A-7-1C-75)

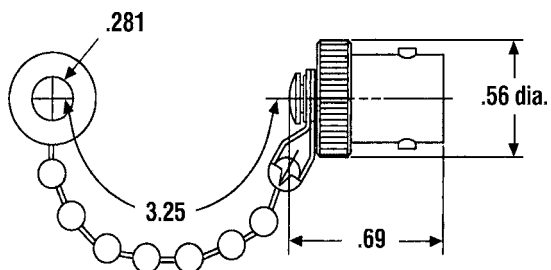
MALE CAP



SHORTING AND DUST CAP

MODEL	2230-*	2230-*-C	2228-*	2228-*-C
DIM A:	.66	.55	.70	.58
DIM B:	2.25	—	2.25	—
DIM C:	.144	—	.144	—
NOTES	dust cap without bead chain	dust cap with bead chain	shorting cap without chain, silver plated contact	shorting cap with chain, silver plated contact

FEMALE CAP



DUST CAP

MODEL	2230F-*	2113F-7
NOTES	with bead chain	without bead chain

NOTE: Female shorting caps are also available.

*-1 indicates gold plating, -4 indicates silver plating, -7 indicates nickel plating.

* For commercial option, add "G" after base of P/N (ex. 2206G-30-*).

TYPE N SPECIFICATIONS



COAXICOM'S TYPE N CONNECTORS are medium size, moderate power handling, 50 Ω impedance connectors with a 5/8"-24 threaded coupling. The standard series provides excellent electrical and mechanical performance for critical applications up to 11 GHz. They find particular use in rack-and-panel systems to provide the interface between the smaller coaxial connectors used inside the equipment, and the more robust external connector and cable requirements. When properly mated, COAXICOM TYPE N CONNECTORS provide a weatherproof connection. Many are available in reverse polarized and reverse threaded configurations. Consult factory for availability.

COAXICOM'S TYPE N CONNECTORS are available as plugs and jacks for the common RG cables, as well as for many cables in the Andrew, Cablewave, Eupen and Times LMR families. Panel and bulk-head mount receptacles are available, as well as intra-series adapters and well matched transistions to other series, including 7/16 DIN.

In addition to standard 50 Ω Type N connectors, COAXICOM manufactures stainless steel precision Type N connectors for semi-rigid cable applications to 20 GHz, and adapters that perform to 18 GHz. A selection of 75 Ω Type N connectors suitable for applications up to 1.5 GHz is also available. The center conductors of 75 Ω Type N connectors have a smaller diameter than those of the 50 Ω connectors. They must not be mated with each other.

ELECTRICAL

Impedance	50 Ω , 75 Ω
Frequency Range	DC-11 GHz (75 Ω TO 1.5 GHz)
Working Voltage	1000 VRMS
Dielectric Withstanding Voltage	2500 VRMS
VSWR (Max)	1.3:1 (1.35:1 Right Angle)
Insulation Resistance	5000 Megohms

MATERIAL

Body, Metal Parts	Brass, ASTM-B-16 (Except Where Noted)
Female Contacts	Beryllium Copper, ASTM-B-196
Insulators	TFE Per ASTM-D-1457
Gaskets	Silicon Rubber ZZ-R-765
Ferrules	Brass 1/2 Hard QQ-B-626

MECHANICAL

Force To Engage, Disengage	6 in-lbs. max
Mating Torque	12 to 15 in-lbs.
Coupling Nut Retention	100 lbs. min.
Durability	500 cycles min.

ENVIRONMENTAL (MIL-STD-202)

Temperature range: -65° C to +165° C. Designed to meet applicable par. of MIL-STD-202.

MILITARY SPECIFICATIONS

MIL-PRF-39012 , MIL-A-55339, MIL-C-83517 and MIL-STD-348 as applicable.

FINISH

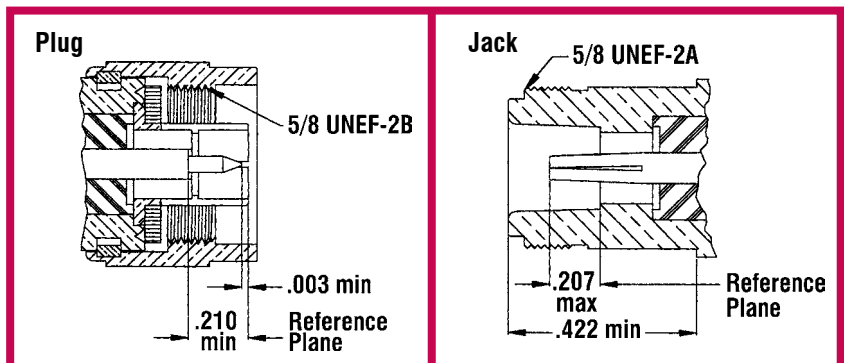
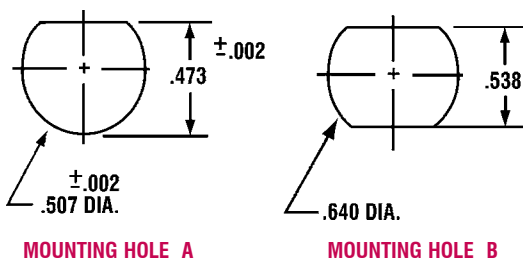
Unless otherwise noted, all connectors are nickel-plated. Center contacts are gold plated per MIL-PRF-39012, IAW MIL-G-45204.

CABLE GROUPS

21B		LMR400, BELDEN 9913, 7810A, 8214
21C		LMR500
21D		LMR600, LMR600UF, 21E=LMR900, 21F=LMR1200
22	22A	RG55, 142, 223, 400, M17/158
	22B	RG55, 55B, 142B, LMR195
	22E	LMR200, BELDEN 7807A
23		RG178, 196
24	24A	RG174, 188A, 316, LMR100, BELDEN 7805A, LMR100A
27	27A	RG58, 58A, 58C, 141, 141A
	27C	RG8X, LMR240, BELDEN 9258, BELDEN 7808A
28	28A	RG59A, B, C, 62A, B, C, 210
29		RG174DS, 188DS, 316DS
30		.141 SR, RG402, MIL17/130, ULTRA-FLEX
31		.085 SR, RG405, MIL17/133, ULTRA-FLEX
32	32A	RG8, 8A, 31, 213, MIL17/74
	32B	RG11, 11A, M17/6-RG11
33	33A	RG7, 9, 87, 214, M17/31-RG63
	33C	RG225, 393, TIMES AA-2206
48A		.250 SEMI-RIGID, ULTRA-FLEX
48B		.325 SEMI-RIGID

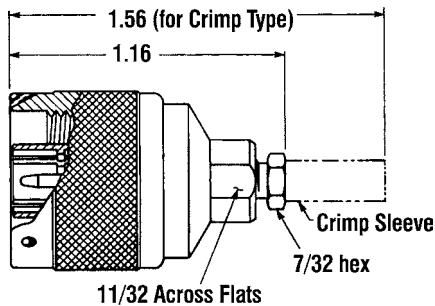
TYPE N INTERFACE DIMENSIONS

RECOMMENDED MOUNTING HOLE



TYPE N CABLE CONNECTORS

STRAIGHT PLUG



FOR FLEXIBLE, SEMI-RIGID OR ULTRA-FLEX CABLE

MODEL	5461-5XX-*	5461-7XX-*	5461-4XX-*
NOTES	clamp type for flexible cable	crimp type for flexible cable	solder clamp for semi-rigid or Ultra-Flex cable

Precision stainless steel 18 GHz direct solder plug available for semi-rigid and Ultra-Flex cables:

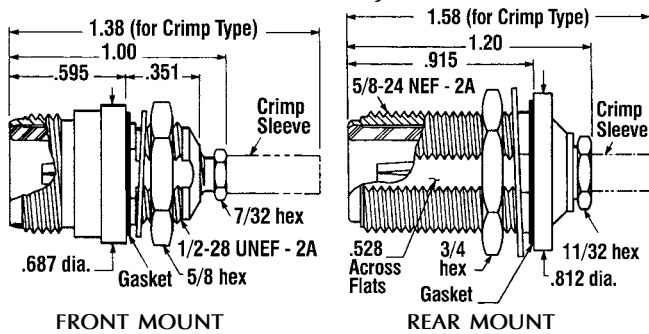
Cable Group 30 (.141 dia.): 5016X-*

Cable Group 31 (.085 dia.): 5017X-*

Cable Group 48A (.250 dia.): 5015X-*

Cable Group 48B (.325 dia.): 5019X-*

BULKHEAD JACK



FOR FLEXIBLE, SEMI-RIGID OR ULTRA-FLEX CABLE

FRONT MOUNT (HOLE A)	MODEL	5552-5XX-*	5552-7XX-*	5552-4XX-*
NOTES		clamp type for flexible cable	crimp type for flexible cable	solder clamp for semi-rigid or Ultra-Flex cable

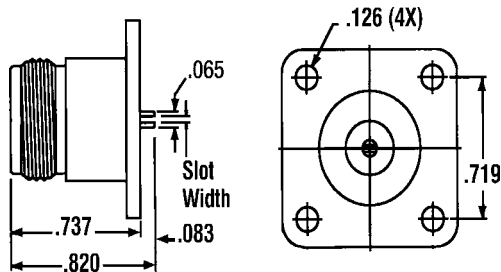
REAR MOUNT (HOLE B)	MODEL	5570-5XX-*	5570-7XX-*	5570-4XX-*
NOTES		clamp type for flexible cable	crimp type for flexible cable	solder clamp for semi-rigid or Ultra-Flex cable

Precision stainless steel 18 GHz direct solder jack available for semi-rigid and Ultra-Flex cables:

Cable Group 30 (.141 dia.): 5021X-*; Cable Group 31 (.085 dia.): 5022X-*

Cable Group 48A (.250 dia.): 5023X-*; Cable Group 48B (.325 dia.): 5024X-*

PANEL RECEPTACLE SLOT AND TAB INTERFACE

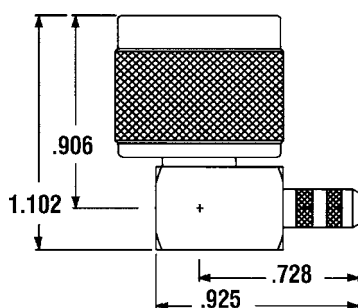


AVAILABLE AS JACKS AND PLUGS

MODEL	5919CC-XX -7	5923CC-XX -7
NOTES	Jack (shown)**: slot or tab width. Insert code	Plug (not shown)**: slot or tab width. Insert code.

XX: 12 = .012 slot; 20 = .020 slot; 28 = .028 slot; 36 = .036 slot; TB = .065 tab. Other tab and slot widths available. Contact factory.

RIGHT ANGLE CABLE PLUG



FOR FLEXIBLE, SEMI-RIGID OR ULTRA-FLEX CABLE

MODEL	5090-XX-*	5221-XX-*
NOTES	crimp type for flexible cable (shown)	Direct solder for semi-rigid and Ultra-Flex cable (not shown)

Clamp type also available for flexible cables.

XX SEE NOTE ON SPECIFICATION SHEET FOR CABLE GROUPS, MATERIAL, AND MOUNTING HOLE SIZE

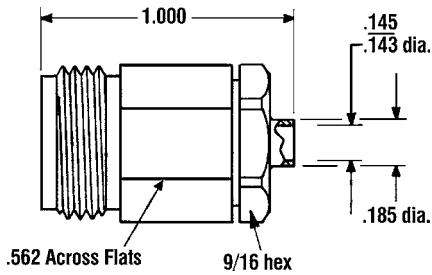
* 1 indicates gold plating, -7 indicates nickel plating -9 Passivated stainless steel.

For Reverse Polarized add "RP" to part number. * For commercial option, add "G" after base of P/N (ex. 2206G-30-*).

TYPE N COAXIAL CONNECTORS AND INTRA SERIES ADAPTERS



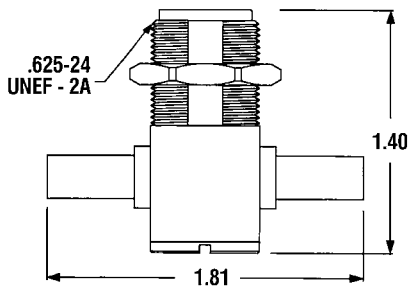
STRAIGHT JACK



FOR FLEXIBLE, SEMI-RIGID OR ULTRA-FLEX CABLE

MODEL	5026-XX-*	5018-9
NOTES	crimp type for flexible cable (not shown)	direct solder for .141 (RG402) semi-rigid and Ultra-Flex cable (shown)

BULKHEAD JACK, TEE



FOR FLEXIBLE, SEMI-RIGID OR ULTRA-FLEX CABLE

MODEL	5888-22A-*	5889-30-*
NOTES	crimp type for flexible cable: A = 1.81, B = 1.40 Maximum Panel Thickness = .060 Mounting Hole B	direct solder for .141 (RG402) semi-rigid and Ultra-Flex (not shown) A = 0.81, B = 1.41 Maximum Panel Thickness = .060 Mounting Hole B

FREQUENCY DC-18 GHz		PRECISION N INTRA SERIES ADAPTERS		VSWR 1.25 MAX.	
5000-9	5004-9	5006-9	5003-9		
RADIUS RIGHT ANGLE MALE TO FEMALE	FEMALE TO FEMALE	MALE TO MALE	MALE TO FEMALE		
For Male to Male, use 5913-9	For 11 GHz use, add "A" to part #	For 11 GHz use, add "A" to part #	For 11 GHz use, add "A" to part #		

PRECISION ADAPTERS		STANDARD (11 GHz) VSWR=1.35 MAX	
5004B-9 VSWR=1.35 MAX	5002-* VSWR=1.25 MAX	5085-*	5219-*
BULKHEAD FEMALE TO FEMALE	FEMALE TO FEMALE	MALE TO MALE RIGHT ANGLE	MALE TO FEMALE RIGHT ANGLE
For 11 GHz use, add "A" to part #	For 11 GHz use, add "A" to part # (4 PL) .130 / .125		

XX SEE NOTE ON SPECIFICATION SHEET FOR CABLE GROUPS, MATERIAL, AND MOUNTING HOLE SIZE

* 1 indicates gold plating, -7 indicates nickel plating -9 Passivated stainless steel

Additional adapters not shown are normally available from stock. Contact Coaxicom.

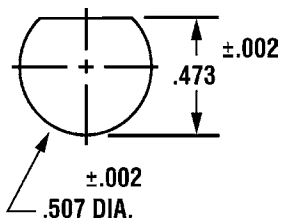
COAXICOM's TNC CONNECTORS are medium size, 50 Ω impedance connectors with a 7/16-28 threaded coupling. The industry standard TNC series operates to 11 GHz, but COAXICOM also features precision connectors and adapters to 15 GHz, and the TNC type A interface that operates to 18 GHz. TNC connectors have wide application in rack-and-panel systems, and to provide interconnections between subsystems. When properly mated, COAXICOM TNC connectors provide a weather proof interface. Many are available in reverse polarized, and reverse threaded configurations. Contact factory for availability.

COAXICOM'S catalog TNC connectors are available as plugs and jacks for the common RG flexible and semirigid cables, as well as for the Times LMR family of low loss communication band cables. Panel and bulkhead mount receptacles are available, as well as intra-series adapters including isolated bulkhead feed throughs. A full complement of between series adapters is also standard.

75 Ω TNC connectors are also available from COAXICOM. They operate to 1 GHz, with a VSWR of 1.15:1 maximum. All 75 Ω and 50 Ω TNC connectors are intermateable without restrictions.

Contact factory for connectors and/or cable groups not shown.

RECOMMENDED BULKHEAD MOUNTING HOLE SIZE



MATERIAL

Body, Metal Parts (Except as Noted)	Brass ASTM-B-16
Female Contacts	Beryllium Copper ASTM-B-196
Insulators	TFE per ASTM-D-1457
Gaskets	Silicon Rubber per ZZ-R-765
Ferrules	Brass 1/2 Hard, QQ-B-626

MILITARY SPECIFICATIONS

MIL-PRF-39012, MIL-A-55339, MIL-C-83517 and MIL-STD-348 as applicable.

ELECTRICAL

Frequency Range	50 Ω: DC To 11 GHz (15, 18 GHz also available) 75 Ω: DC To 1.0 GHz
Nominal Impedance	50 Ω, 75 Ω
VSWR (Max.)	1.3:1 (1.35:1 Right Angle Conn.)
Insertion Loss (50 Ω)	0.15 dB max. @ 10 GHz
RF Leakage (50 Ω)	-60 dB min. @ 3 GHz
Dielectric Withstanding Voltage	1500 VRMS
Insulation Resistance	5000 Megohms minimum
Voltage Rating	500 VRMS
Center Contact Resistance	1.5 Milliohms maximum

MECHANICAL

Force to Engage/Disengage	2 in-lbs. max.
Coupling Proof Torque	15 in-lbs.
Coupling Nut Retention	100 lbs. min.
Durability	500 cycles min.
Recommended Mating Torque	4.1 to 6.1 in-lbs.
Coupling Mechanism	7/16-28 thread, IAW MIL-STD-348

ENVIRONMENTAL (IAW MIL-STD-202)

Temperature Range	-65° C to + 165° C
Vibration	Method 204, T.C. B
Shock	Method 213, T.C. I
Thermal Shock	Method 107, T.C. B
Corrosion (Salt Spray)	Method 101, T.C. B
Moisture Resistance	Method 106
Seal (Panel, Barrier Seal Conn.)	No Leakage @ 50 PSI

T.C. = Test condition

FINISH

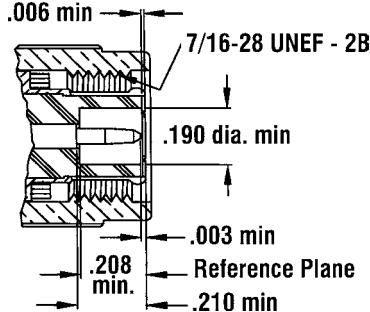
Center Contacts are gold plated per MIL-PRF-39012, IAW MIL-G-35204. All other metal parts finished to meet MIL-PRF-39012 corrosion requirements.

CABLE GROUPS

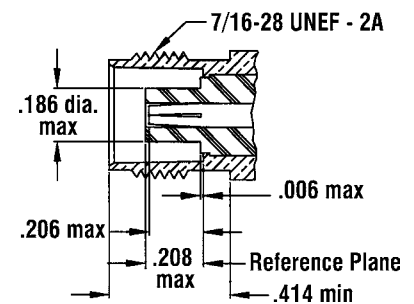
21B	LMR400, BELDEN 9913, 7810A, 8214	28	28A	RG59, 62, 210, TROMPETER TCC-75-2
21C	LMR500	29		RG174DS, 188DS, 316DS
22	22A RG55A, 142, 223, 400, M17/158	30		.141 SR, RG402, ULTRA-FLEX
	22B RG55, 55B, 142B, LMR195	31		.085 SR, RG405, ULTRA-FLEX
	22E LMR200, BELDEN 7807A		32B	RG11, 11A, M17/6-RG11
23	RG178, 196, 404, M17/93		33A	RG7, 9, 63, 87, 214
24	24A RG174, 188A, 316, LMR100, M17/172, LMR100A		33C	RG225, 393, TIMES AA-2306
	24B RG161, 179, 187, M17/97, 136	43		RG115A, M17/168, RG235, BELDEN 8281, 9231, 9141, WE 724
	24D RG179/U DS		48A	RG401, .250 SEMI-RIGID, ULTRA-FLEX
25	25B RG180, 195, 303, M17/95, 111		48C	.325 SEMI-RIGID
27	27A RG58, 141, M17/28, 155, 170			
	27C RG-8X, LMR240, BELDEN 9258			

TNC INTERFACE DIMENSIONS

Plug



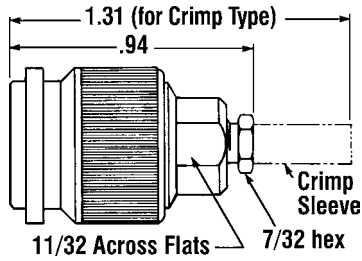
Jack



TNC CABLE CONNECTORS



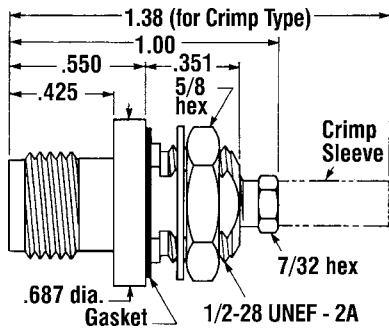
STRAIGHT PLUG



FOR FLEXIBLE, SEMI-RIGID OR ULTRA-FLEX CABLE

MODEL	4547-5XX-*	4547-7XX-*	4547-4XX-*
NOTES	clamp type for flexible cable	crimp type for flexible cable	solder clamp for semi-rigid and Ultra-Flex cable

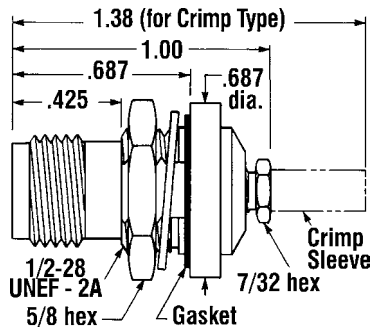
BULKHEAD JACK FRONT MOUNT



FOR FLEXIBLE, SEMI-RIGID OR ULTRA-FLEX CABLE

MODEL	4577-5XX-*	4577-7XX-*	4577-4XX-*
NOTES	clamp type for flexible cable	crimp type for flexible cable	solder clamp for semi-rigid and Ultra-Flex cable

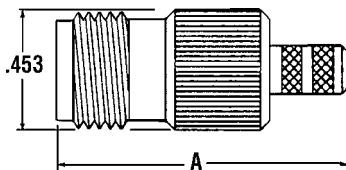
BULKHEAD JACK REAR MOUNT



FOR FLEXIBLE, SEMI-RIGID OR ULTRA-FLEX CABLE

MODEL	4539-5XX-*	4539-7XX-*	4539-4XX-*
NOTES	clamp type for flexible cable	crimp type for flexible cable	solder clamp for semi-rigid and Ultra-Flex cable

STRAIGHT JACK



FOR FLEXIBLE, SEMI-RIGID OR ULTRA-FLEX CABLE

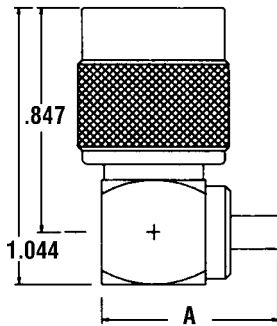
MODEL	4091-XX-*	4202-XX-*
NOTES	crimp type for flexible cable	direct solder for semi-rigid and Ultra-Flex cable
DIM.	A = 1.14	A = 1.06

Clamp style also available. Consult factory.

SEE SPECIFICATION SHEET FOR PERFORMANCE, MATERIAL AND MOUNTING HOLE SIZE.

* -1 indicates gold plating, -7 indicates nickel plating, -4 indicates silver plating, -9 indicates passivated (stainless finish) except in areas where gold plating is required for solderability.

RIGHT ANGLE PLUG

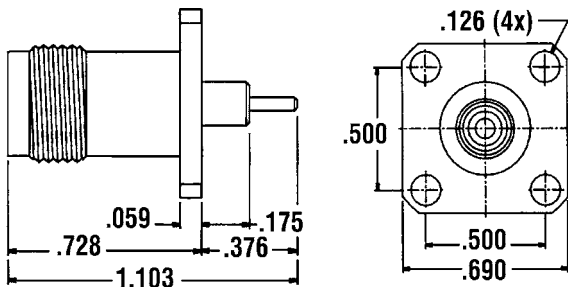


FOR FLEXIBLE, SEMI-RIGID OR ULTRA-FLEX CABLE

MODEL	4090-XX-*	4221-XX-*
NOTES	crimp type for flexible cable	direct solder for semi-rigid and Ultra-Flex cable
DIM.	A = .863	A = 0.67

Clamp style also available. Consult factory.

FLANGE MOUNT JACK



RECEPTACLE

MODEL	4204-*	4204S-*
NOTES	.690 flange blunt post (shown)	.500 flange mtg. holes (4 pl.): .102 dia. on .34 centers blunt post (not shown)

Consult factory for other teflon lengths or contact types.
4204/0-7 available with weather resistant seal.

FREQUENCY DC-18 GHz	TNC PRECISION INTRA SERIES ADAPTERS		VSWR 1.25 MAX
4000-9	4004-9	4006-9	4003-9
RADIUS RIGHT ANGLE MALE TO FEMALE	FEMALE TO FEMALE	MALE TO MALE	MALE TO FEMALE

FREQUENCY DC-15GHz	TNC STANDARD INTRA SERIES ADAPTERS		VSWR=1.25 MAX
4208A-*	4209A-*	4087-*	4219-*
VSWR=1.35 MAX		VSWR=2.0 TYP	
FEMALE TO FEMALE HERMETIC BULKHEAD	FEMALE TO FEMALE BULKHEAD	FEMALE TO MALE TO FEMALE	RIGHT ANGLE MALE TO FEMALE
Non-hermetic version: 4209A-*	Also available with isolated ground: 4209A-*-I (11 GHz) (Max. panel = .177)		

SEE SPECIFICATION SHEET FOR PERFORMANCE, MATERIAL AND MOUNTING HOLE SIZE.

* -1 indicates gold plating, -7 indicates nickel plating, -4 indicates silver plating, -9 indicates passivated (stainless finish) except in areas where gold plating is required for solderability. Additional adapters not shown are normally available from stock. Contact Coaxicom. For Reverse Polarized and "RP" to part number.

7/16 DIN CONNECTORS



COAXICOM 7/16 DIN CONNECTORS are intended as replacements for N connectors in high power, low intermodulation applications, particularly communications systems. Larger and more rugged than N connectors, they employ M29 X 1.5 metric screw type couplings and have a peak voltage rating of 2,700 VRMS. They will operate up to 7.5 GHz, have a nominal characteristic impedance of 50Ω and are weatherproof. Inner and outer conductors are silver plated to minimize intermodulation distortion. Our 7/16 DIN connectors also feature phosphor bronze female contacts for lower contact resistance and better repeatability.

The 014038-XX-4 and the 014039-XX-4 are unique connector that can be assembled as a straight or right angle plug, reducing inventory and simplifying logistics. This is accomplished by a backnut that screws into the connector body from either the side or the back.

Not all 7/16 connectors are available for all cable groups. This is because the series is specifically designed for very low and repeatable intermodulation distortion, which is largely dependent on the mechanical integrity of the fit between the connector components and the cable. This also leads to individual cases where a connector will fit most but not all of the cables within a cable group. Consult factory for specific applications.

ELECTRICAL

Impedance	50 Ohm
Frequency Range	7.5 GHz maximum
Operating Voltage	2,700 VRMS maximum
Dielectric Withstanding Voltage	4,000 VRMS maximum
Insulation Resistance	10,000 MegOhms min.

MATERIAL

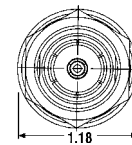
Female Contacts	Phosphor bronze per ASTM-B-139, Alloy B2
Other Metal Parts	Brass per ASTM-B-16
Dielectrics	TFE fluorocarbon per ASTM-D-1710
Gaskets	Silicone rubber per ZZ-R-765, class II, grade 50

CABLE GROUPS

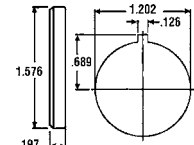
21B		LMR400, LMR400 UF, BELDEN 9913, 7810A, 8214
21C		LMR500
21D		LMR600, LMR600 UF
22	22A	RG55A, 142, 142A, 223, 400, SB400
	22E	LMR200, BELDEN 7807A, COMMSCOPE BWC-200
27	27A	RG58, 58A, 58C, 141, 141A
	27C	RG-8X, LMR240, BELDEN 9258
30		.141 SEMI-RIGID, RG402, ULTRA-FLEX
31		.085 SEMI-RIGID, RG405, ULTRA-FLEX
32	32B	RG11, 11A, M17/6-RG11
	32C	RG8, 9, 87, 213
33	33C	RG225, 393
48A		.250 SEMI-RIGID, ULTRA-FLEX

MOUNTING HOLES/FLANGE DIM.

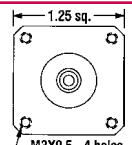
CONNECTOR PART #	FLANGE/MTG HOLE DESC.	MTG HOLE
014210-**-4	1.18" DIA/1.01 ACROSS D	A
014088-**-4	KEYED 1.2" DIA. CIRCLE	B
014146-**-1	1.25" SQ. FLANGE,	C
014146-4	.98" C TO C THRU HOLES, .142" DIA.	
014215-4	1.00" SQ. FLANGE,	D
014111-4	.72 C TO C THRU HOLES, .125 DIA.	
014244-4	SAME AS ABOVE, BUT MTG HOLES ARE TAPPED M3X0.5	C



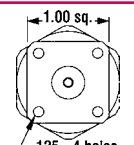
Mounting Hole A



Mounting Hole B

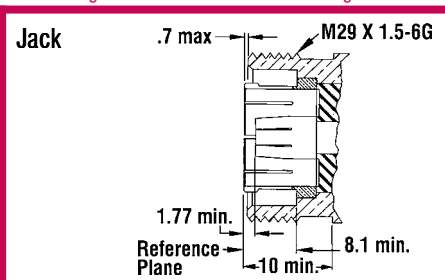
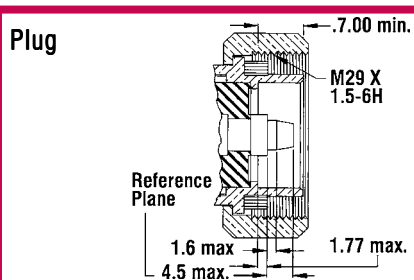


Mounting Hole C



Mounting Hole D

7/16 INTERFACE DIMENSIONS



MECHANICAL

Interface Dimensions: Per IEC 169-4

FINISH

Center Contacts: Silver per QQ-S-365 or Albaloy.
Other Metal Parts: Silver per QQ-S-365 or Albaloy.

014917-XX-4	014089-XX-4	014917F-XX-4	014091-XX-4
STRAIGHT CABLE PLUG	STRAIGHT CABLE PLUG	STRAIGHT CABLE JACK	STRAIGHT CABLE JACK
Clamp Type	Crimp Type for Flexible Cable Solder Type for Cable Groups 30, 31 & 48A	Clamp Type	Crimp Type for Flexible Cable Solder Type for Cable Groups 30, 31 & 48A

<p>014090-XX-4</p> <p>RIGHT ANGLE CABLE PLUG</p> <p>Crimp Type for Flexible Cable Solder Type for Cable Groups 30, 31 & 48A</p>	<p>014210-XX-4</p> <p>BULKHEAD CABLE JACK</p> <p>Clamp Type Use Mounting Hole A</p>	<p>014088-XX-4</p> <p>BULKHEAD CABLE JACK</p> <p>Crimp Type for Flexible Cable Solder Type for Cable Groups 30, 31 & 48A Use Mounting Hole B</p>	<p>014146-XX-*</p> <p>FLANGE MOUNT CABLE JACK</p> <p>Use Mounting Hole A</p>
--	--	---	---

<p>014038-XX-4</p> <p>MALE CLAMP PLUG</p> <p>Combination Straight or Right Angle</p>	<p>014039-XX-4</p> <p>MALE CRIMP PLUG</p> <p>Combination Straight or Right Angle</p>	<p>014215-*</p> <p>FLANGE MOUNT JACK RECEPTACLE</p> <p>Solder Cup • Use Mounting Hole C</p>	<p>014244-4</p> <p>FLANGE MOUNT JACK RECEPTACLE</p> <p>Blunt Post • Use Mounting Hole C</p>
---	---	--	--

<p>014111-4</p> <p>STRAIGHT MALE PANEL RECEPTACLE</p> <p>Use Mounting Hole D</p>	<p>014116-4</p> <p>FEMALE RIGHT ANGLE PANEL RECEPTACLE</p> <p>Use Mounting Hole C</p>	<p>014230-4</p> <p>MALE DUST CAP</p>	<p>014230F-4</p> <p>FEMALE DUST CAP</p>
---	--	---	--

INTRA-SERIES ADAPTERS			
<p>014218-4</p> <p>MALE TO MALE</p>	<p>014653-4</p> <p>FEMALE TO FEMALE</p>	<p>014085-4</p> <p>RIGHT ANGLE MALE TO MALE</p>	<p>014219-4</p> <p>RIGHT ANGLE MALE TO FEMALE</p>

SEE SPECIFICATION SHEET FOR CABLE GROUPS AND MOUNTING HOLE SIZE
NOTE: Bulkhead models are designed for use with .093" maximum thick panel.

INTER SERIES ADAPTERS

INTRODUCTION & 2.4 MM, 2.9 MM INTER SERIES



Inter series coaxial adapters are some of the more common components used in RF, microwave and wireless applications. OEM's and manufacturing and engineering test facilities are continually required to provide temporary or permanent connections between the many coaxial series in use. This is particularly true today, where long-established connector series (N, TNC, BNC, 874, SMA, etc.) must be mated with less common or more recently introduced interfaces (3.5 mm, 2.9 mm, 2.4 mm, 7/16, SSMA, SSMB, SSMC, MCX, MMCX, 7 mm, etc).

Recognizing this need, COAXICOM maintains a large inventory of common and not-so-common inter and intra series adapters. This section covers the inter series, while the intra series are shown in the individual connector sections of this catalog. If you have a

requirement not shown in the catalog, please contact the factory for a prompt response.

The user should bear in mind that for best performance, the usable frequency range for a given adapter is established by the operating range of the lower frequency interface on the adapter. The recommended frequency range of each connector series is given on the specification sheet within each section. Most adapters are usable at higher frequencies within limitations.

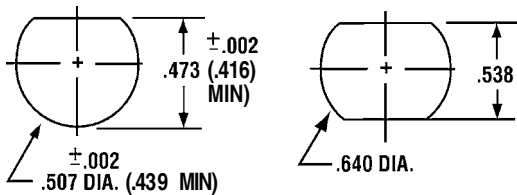
COAXICOM manufactures standard and precision adapters. Where applicable, standard adapters use an "A" suffix in the part number and are usable to frequencies less than 12 GHz for N and TNC, or up to the recommended frequency range for the other series. Most are nickel-plated brass.

Precision adapters feature stainless steel construction for a more precise interface, and an extended frequency range for the N and TNC series. In the case of precision N, TNC or SMA's interfaced with lower frequency series, the precise construction and stepped internal transition yields improved performance beyond the normal operating range of the lower frequency series.

NOTES:

1. 75 ohm SMB and SMC "type" do not mate with the 50 ohm series.
2. 50 and 75 ohm Type N do not mate with each other.
3. 50 and 75 ohm BNC mate without restriction.
4. 50 and 75 ohm TNC mate without restriction.
5. SMA, 3.5 mm and 2.9 mm mate without restriction.

RECOMMENDED BULKHEAD MOUNTING HOLES



MOUNTING HOLE A

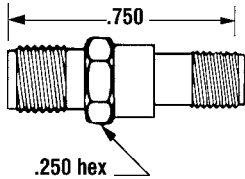
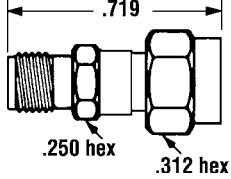
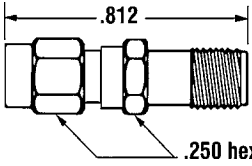
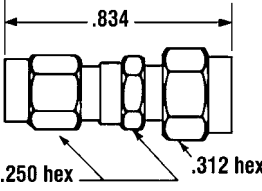
MOUNTING HOLE B

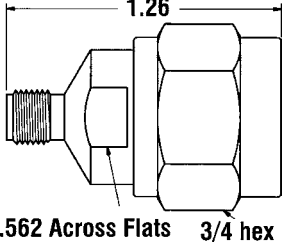
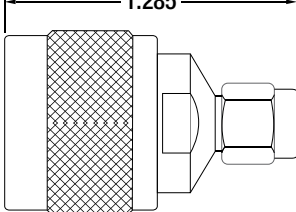
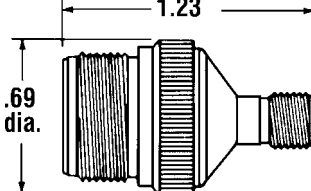
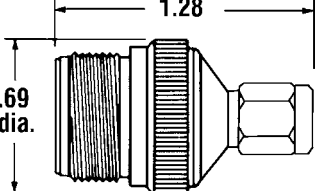
DIMENSIONS IN BRACKETS ARE FOR MOUNTING HOLE C

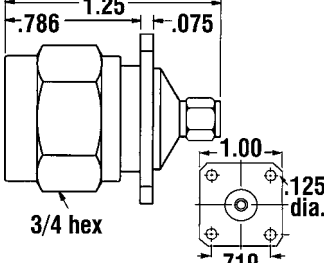
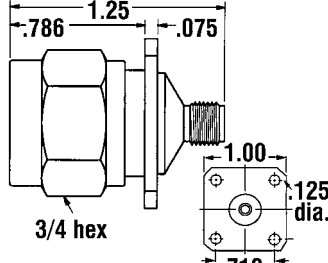
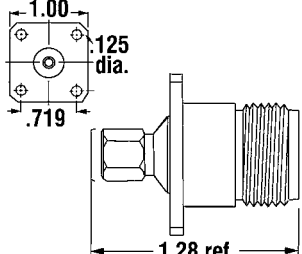
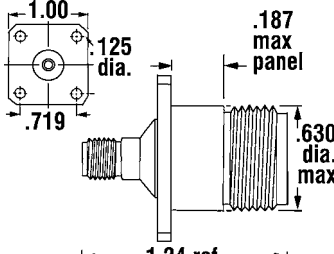
FREQ: DG - 18 GHz VSWR = 1.10 MAX	
022908-9	021908-9
7 MM TO 2.9 MM JACK	7 MM TO 2.4 MM JACK
1.42	1.42

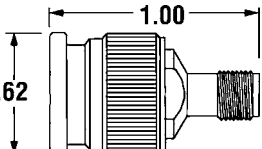
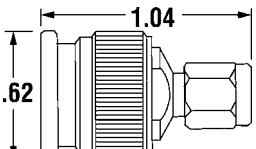
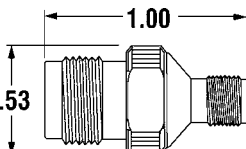
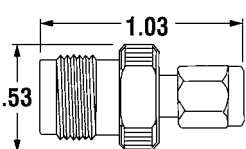
FREQ: DC - 40 GHz VSWR = 1.10 (18 GHz), 1.20 (26.5 GHz), 1.30 (40 GHz)			
022100-9	022101-9	022102-9	022103-9
2.9 MM JACK TO 2.4 MM PLUG	2.9 MM PLUG TO 2.4 MM JACK	2.9 MM JACK TO 2.4 MM JACK	2.9 MM PLUG TO 2.4 MM PLUG
1.00 max	1.00 max	1.00 max	1.00 max

7 mm to 2.9 mm and 3.5 mm plugs and jacks are also available. Consult factory. See page 72 for additional choices. 2.4 mm, 2.9 mm and 3.5 mm intra series adapters are also available. Consult factory.

FREQUENCY: DC-18 GHz SMA TO SSMA VSWR: 1.30 (MAX)			
3313-9	3100-9	3312-9	3314-9
SMA FEMALE TO SSMA FEMALE	SMA MALE TO SSMA FEMALE	SMA FEMALE TO SSMA MALE	SMA MALE TO SSMA MALE
			

FREQUENCY: DC-18 GHz N TO SMA VSWR: 1.25 MAX			
3077-9	3080-9	3098-9	3079-9
N MALE TO SMA FEMALE	N MALE TO SMA MALE	N FEMALE TO SMA FEMALE	N FEMALE TO SMA MALE
			

FREQUENCY: DC-18 GHz PANEL MOUNT N TO SMA VSWR: 1.25 MAX			
3914-9	3907-9	3099-9	3081-9
N MALE TO SMA MALE	N MALE TO SMA FEMALE	N FEMALE TO SMA MALE	N FEMALE TO SMA FEMALE
			

FREQUENCY: DC-18 GHz TNC TO SMA VSWR: 1.35 MAX			
3075-9	3078-9	3083-9	3076-9
TNC MALE TO SMA FEMALE	TNC MALE TO SMA MALE	TNC FEMALE TO SMA FEMALE	TNC FEMALE TO SMA MALE
			
DC-18GHz			DC-18GHz

* - 1 indicates gold plating,
 - 7 indicates nickel plating
 - 9 indicates passivated (stainless finish)

For lower frequency applications add "A" to basic part number. Additional adapters not shown, are usually available from stock. Please contact COAXICOM.

INTER SERIES ADAPTERS SMA, SMB, SMC, BNC, 874



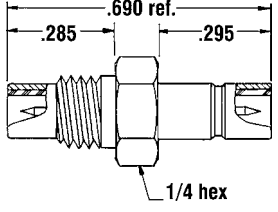
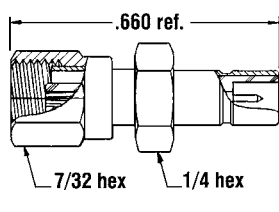
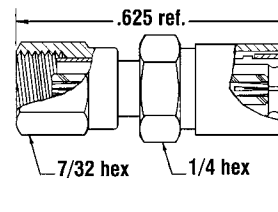
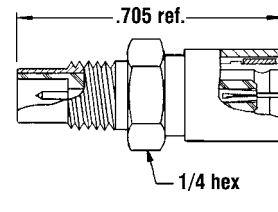
FOR REVERSE POLARIZED OR REVERSE THREADED ADAPTERS, CALL FACTORY.

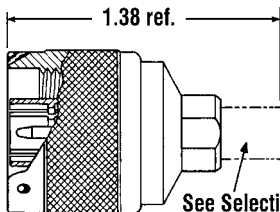
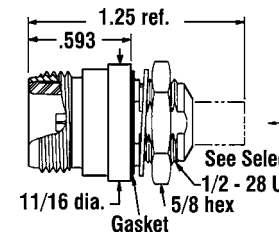
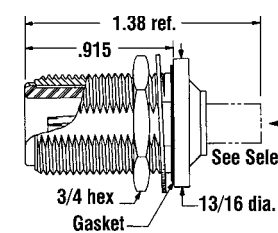
BNC TO SMA			
<p>3107-*</p> <p>BNC MALE TO SMA FEMALE</p>	<p>3103-*</p> <p>BNC MALE TO SMA MALE</p>	<p>3101-*</p> <p>BNC FEMALE TO SMA FEMALE</p>	<p>3102-*</p> <p>BNC FEMALE TO SMA MALE</p>
SMB TO SMA			
<p>3033-*</p> <p>SMA FEMALE TO SMB MALE</p>	<p>3034-*</p> <p>SMA FEMALE TO SMB FEMALE</p>	<p>3037-*</p> <p>SMA MALE TO SMB MALE</p>	<p>3038-*</p> <p>SMA MALE TO SMB FEMALE</p>
SMC TO SMA			
<p>3035-*</p> <p>SMA FEMALE TO SMC MALE</p>	<p>3036-*</p> <p>SMA FEMALE TO SMC FEMALE</p>	<p>3039-*</p> <p>SMA MALE TO SMC MALE</p>	<p>3040-*</p> <p>SMA MALE TO SMC FEMALE</p>
874 TO SMA		2524F-7-3	3108-*
<p>3915-9</p> <p>874 TO SMA MALE</p>	<p>3916-9</p> <p>874 TO SMA FEMALE</p>	<p>BNC FEMALE TO SMB MALE</p>	<p>BULKHEAD BNC FEMALE TO SMA FEMALE</p>

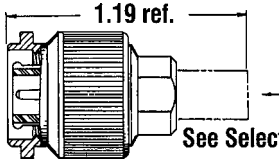
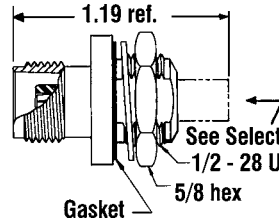
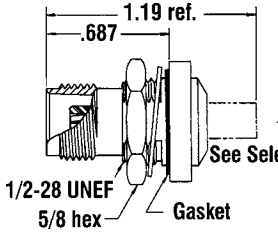
- * - 1 indicates gold plating,
- 7 indicates nickel plating
- 9 indicates passivated (stainless finish)

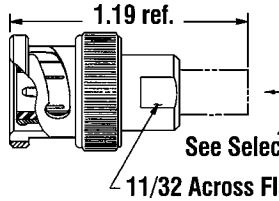
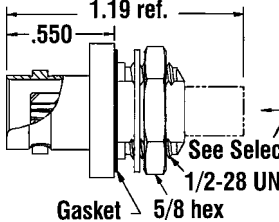
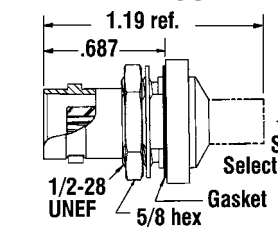
For lower frequency applications add "A" to basic part number. Additional adapters not shown, are usually available from stock. Please contact COAXICOM.

INTER SERIES ADAPTERS BNC, N, TNC, SMB, SMC (50 Ω), & 75 Ω SCREW-ON & SNAP-ON

SMB TO SMC			
6000-*	6001-*	6002-*	6003-*
SMB MALE JACK TO SMC MALE JACK	SMB MALE JACK TO SMC FEMALE PLUG	SMB FEMALE PLUG TO SMC FEMALE PLUG	SMB FEMALE PLUG TO SMC MALE JACK
			

N TO SMB, SMC (50 Ω), AND 75 Ω SCREW-ON & SNAP-ON				
To	Suffix	5529-*()	5530-*()	5556-*()
SMC Male Jack	- 1			
SMC Female Plug	- 2			
SMB Male Jack	- 3			
SMB Female Plug	- 4			
75 Ω Screw-On Male Jack	- 5			
75 Ω Screw-On Female Plug	- 6			
75 Ω Snap-On Male Jack	- 7 †			
75 Ω Snap-On Female Plug	- 8 †			

TNC TO SMB, SMC (50 Ω), AND 75 Ω SCREW-ON & SNAP-ON				
To	Suffix	4574-*()	4533-*()	4564-*()
SMC Male Jack	- 1			
SMC Female Plug	- 2			
SMB Male Jack	- 3			
SMB Female Plug	- 4			
75 Ω Screw-On Male Jack	- 5			
75 Ω Screw-On Female Plug	- 6			
75 Ω Snap-On Male Jack	- 7 †			
75 Ω Snap-On Female Plug	- 8 †			

BNC TO SMB, SMC (50 Ω), AND 75 Ω SCREW-ON & SNAP-ON				
To	Suffix	2524-*()	2525-*()	2571-*()
SMC Male Jack	- 1			
SMC Female Plug	- 2			
SMB Male Jack	- 3			
SMB Female Plug	- 4			
75 Ω Screw-On Male Jack	- 5			
75 Ω Screw-On Female Plug	- 6			
75 Ω Snap-On Male Jack	- 7 †			
75 Ω Snap-On Female Plug	- 8 †			

* - 1 indicates gold plating,
- 7 indicates nickel plating
These series are nickel-plated brass.

† All Suffix "7" and "8" adapters are available as true 75 ohm connectors by adding /75 after basic part number. The Snap-On side can also be specified as a 75 ohm mini-SMB by adding an "M" after the "7" or "8" suffix. For example, a true 75 ohm BNC plug to a mini-SMB Snap-On male jack adapter would be a 2524/75-(*)-7M.

INTER SERIES ADAPTERS SSMA & 874 TO BNC & TYPE N



FREQUENCY DC-15 GHz		SSMA TO TNC		VSWR 1.25 MAX.	
7913-9	7907-9	7914-9	7908-9		
TNC MALE TO SSMA MALE	TNC MALE TO SSMA FEMALE	TNC FEMALE TO SSMA MALE	TNC FEMALE TO SSMA FEMALE		
 1.50 .250 hex .625 dia. .375 Across Flats	 1.50 .250 hex .625 dia. .375 Across Flats	 1.50 .250 hex 531 dia. .437 Across Flats	 1.50 .531 dia. .437 Across Flats		

FREQUENCY DC-18 GHz		SSMA TO N		VSWR 1.30 MAX.	
7911-9	7905-9	7912-9	7906-9		
N MALE TO SSMA MALE	N MALE TO SSMA FEMALE	N FEMALE TO SSMA MALE	N FEMALE TO SSMA FEMALE		
 1.30 .250 hex .827 dia. .560 Across Flats	 1.25 .827 dia. .560 Across Flats	 1.28 .250 hex .705 dia.	 1.235 .705 dia.		

SSMA TO BNC			
7909-9	7903-9	7910-9	7904-9
BNC MALE TO SSMA MALE	BNC MALE TO SSMA FEMALE	BNC FEMALE TO SSMA MALE	BNC FEMALE TO SSMA FEMALE
 1.30 .250 hex .562 dia. .437 Across Flats	 1.25 .562 dia. .437 Across Flats	 1.36 .250 hex .562 dia. .500 Across Flats	 1.325 .562 dia. .500 Across Flats

874 TO BNC		874 TO TYPE N	
2917-7	2918-7	5919-7	5920-7
874 TO BNC MALE	874 TO BNC FEMALE	874 TO TYPE N MALE	874 TO TYPE N FEMALE
 1.81	 1.66	 2.01	 1.63

*- 1 indicates gold plating,
 - 7 indicates nickel plating
 - 9 indicates passivated (stainless finish)

For lower frequency applications add "A" to basic part number. Additional adapters not shown, are usually available from stock. Please contact COAXICOM

INTER SERIES ADAPTERS TNC, 7/16, 3.5 MM, TYPE N, 7 MM

FOR REVERSE POLARIZED OR REVERSE THREADED ADAPTERS, CALL FACTORY.

FREQ: DC - 15 GHz VSWR = 1.25 MAX		FREQ: DC - 7.5 GHz VSWR = 1.35	
3084-*	3032-*	5671-*	5670-*
PANEL MOUNT TNC FEMALE TO SMA FEMALE	BULKHEAD MOUNT TNC FEMALE TO SMA FEMALE	7/16 MALE TO N FEMALE .938 Across Flats	7/16 FEMALE TO N MALE .938 Across Flats

FREQ: DC - 18 GHz VSWR = 1.25 MAX			
5908A-9	5908-9	5909B-9	5909-9
N FEMALE TO 3.5mm FEMALE	N MALE TO 3.5mm FEMALE	N FEMALE TO 3.5mm MALE	N MALE TO 3.5mm MALE

3300-*	5208-75-*	5205-75-*	3044-*
BULKHEAD MOUNT N FEMALE TO SMA FEMALE FREQ: DC - 18 GHz VSWR = 1.25	75 OHM N FEMALE TO TYPE F MALE	75 OHM N MALE TO TYPE F FEMALE	SMA MALE TO MCX MALE

DC-18 GHz 7MM INTER SERIES ADAPTERS		Part #	a	VSWR (max)	To	
3046-*	3049-*					
SMA FEMALE TO MMCX MALE	SMA MALE TO MMCX FEMALE	3712-9	1.813	1.15	N Plug	
		3711-9	1.609	1.15	TNC Jack	
		3710-9	1.750	1.15	TNC Plug	
		2701-9	1.609	1.15	BNC Jack	
		2702-9	1.719	1.15	BNC Plug	
		3908-9	1.310	1.15	SMA Jack	
		3909-9	1.390	1.15	SMA Plug	
		7901-9	2.000	1.15	SSMA Jack	
		7902-9	2.000	1.15	SSMA Plug	

* - 1 indicates gold plating,
- 9 indicates passivated (stainless finish)

For lower frequency applications add "A" to basic part number. Additional adapters not shown, are usually available from stock. Please contact COAXICOM.

COMPONENTS - TERMINATIONS & ATTENUATORS



DC-18 GHz SMA TERMINATIONS VSWR 1.20:1 MAX.		DC-18 GHz TYPE N TERMINATIONS VSWR 1.25:1 MAX.	
3900-*	3900F-*	5900-9	5900F-9
1 WATT AVERAGE 1 KW PEAK POWER	1 WATT AVERAGE 1 KW PEAK POWER	2 WATTS AVERAGE 1 KW PEAK POWER	2 WATTS AVERAGE 1 KW PEAK POWER

THE 3900, 5900, 7900 AND 2900 SERIES ARE AVAILABLE WITH BEAD CHAINS BY ADDING "C" AT END OF PART NUMBER

DC-30 GHz SSMA TERMINATIONS		BNC TERMINATIONS DC TO 4 GHz	
7900M-*	7900F-*	2900M-7	2900F-7
0.5 WATT AVERAGE 0.5 KW PEAK POWER	0.5 WATT AVERAGE 0.5 KW PEAK POWER	2 WATTS AVERAGE 0.25 KW PEAK POWER	2 WATTS AVERAGE 0.25 KW PEAK POWER
VSWR: 1.25:1 to 18 GHz, 1.35:1 to 26.5 GHz	VSWR: 1.25:1 to 18 GHz, 1.35:1 to 26.5 GHz	VSWR: 1.15:1 to 3 GHz, 1.20:1 to 4 GHz	VSWR: 1.15:1 to 3 GHz, 1.20:1 to 4 GHz

SMA MALE 18 GHz TERMINATION		TYPE N MALE 18 GHz TERMINATION	
3900-5	3900-15	5900-5	5900-15
AVERAGE POWER 5 W PEAK POWER 2 KW VSWR 1.25:1 MAX.	AVERAGE POWER 15 W PEAK POWER 2 KW VSWR 1.35:1 MAX.	AVERAGE POWER 5 W PEAK POWER 2 KW VSWR 1.25:1 MAX.	AVERAGE POWER 15 W PEAK POWER 2 KW VSWR 1.25:1 MAX.
Add "F" to Part No. for Female Also Available in BNC and TNC	Add "F" to Part No. for Female Also Available in BNC and TNC	Add "F" to Part No. for Female Also Available in BNC and TNC	Add "F" to Part No. for Female Also Available in BNC and TNC

NOTE: ATTENUATORS AVAILABLE IN ADDITIONAL VALUES THAN THOSE SHOWN. CALL FOR AVAILABILITY.

BNC, SMA 50 Ω FEEDTHROUGH TERMINATIONS (2 WATTS)		SMA, TNC ATTENUATORS (2 W AVG., .25 KW PEAK POWER)																													
2989-50-*	3989-*	3910-(DB)	4910-(DB)																												
BNC: VSWR 1.20:1 FREQUENCY: 500 MHz	SMA: VSWR 1.25:1 FREQUENCY: 1 GHz	SMA: DC-18 GHz VSWR: 1.35:1 MAX	TNC: DC-18 GHz VSWR: 1.35:1 MAX																												
75, 100 Ω Also Available		<table border="1"> <thead> <tr> <th>DB</th> <th>L=Length</th> <th>DB</th> <th>L=Length</th> </tr> </thead> <tbody> <tr> <td>3 ± .3</td> <td>.86</td> <td>15 ± .5</td> <td>.98 max</td> </tr> <tr> <td>6 ± .3</td> <td>.86</td> <td>20 ± .5</td> <td>.98 max</td> </tr> <tr> <td>10 ± .3</td> <td>.86</td> <td>30 ± .75</td> <td>.98 max</td> </tr> </tbody> </table>	DB	L=Length	DB	L=Length	3 ± .3	.86	15 ± .5	.98 max	6 ± .3	.86	20 ± .5	.98 max	10 ± .3	.86	30 ± .75	.98 max	<table border="1"> <thead> <tr> <th colspan="2">ACCURACY</th> </tr> </thead> <tbody> <tr> <td>3 ± .3 DB</td> <td></td> </tr> <tr> <td>6 ± .3 DB</td> <td></td> </tr> <tr> <td>7-20 ± .5 DB</td> <td></td> </tr> <tr> <td>21-30 ± .75 DB</td> <td></td> </tr> <tr> <td>40 ± 1.0 DB</td> <td></td> </tr> </tbody> </table>	ACCURACY		3 ± .3 DB		6 ± .3 DB		7-20 ± .5 DB		21-30 ± .75 DB		40 ± 1.0 DB	
DB	L=Length	DB	L=Length																												
3 ± .3	.86	15 ± .5	.98 max																												
6 ± .3	.86	20 ± .5	.98 max																												
10 ± .3	.86	30 ± .75	.98 max																												
ACCURACY																															
3 ± .3 DB																															
6 ± .3 DB																															
7-20 ± .5 DB																															
21-30 ± .75 DB																															
40 ± 1.0 DB																															

* 1 indicates gold plating, -7 indicates nickel plating, -9 indicates passivated (stainless steel)

Coaxicom manufactures many more components than are shown. They include 2.9 mm and 7 mm attenuators, terminations, and DC blocks, as well as GPO™ attenuators. Additional products include attenuator kits, attenuator/DC Blocks, flange mount attenuators, and Type N to SMA adapter/attenuators. Attenuators and terminations to 300 watts are also available.

COMPONENTS - ATTENUATORS, PHASE ADJUSTERS, DC BLOCKS, DUST CAPS, SHORTS

NOTE: ATTENUATORS AVAILABLE IN ADDITIONAL VALUES THAN THOSE SHOWN. CALL FOR AVAILABILITY.

DC-18 GHz TYPE N ATTENUATORS VSWR 1.35:1 MAX.		BNC ATTENUATORS 50 AND 75 OHMS																																		
5910-(DB)		2910-(DB) / 2910-75-(DB)																																		
5 WATT AVERAGE	0.25 KW PEAK POWER	1 WATT AVERAGE	1 KW PEAK POWER																																	
<table border="1"> <thead> <tr> <th>DB</th> </tr> </thead> <tbody> <tr><td>3 ± 0.3</td></tr> <tr><td>6 ± 0.3</td></tr> <tr><td>10 ± 0.5</td></tr> <tr><td>15 ± 0.5</td></tr> <tr><td>20 ± 0.5</td></tr> <tr><td>30 ± 1.0</td></tr> <tr><td>31-60 ± 1.5</td></tr> </tbody> </table>		DB	3 ± 0.3	6 ± 0.3	10 ± 0.5	15 ± 0.5	20 ± 0.5	30 ± 1.0	31-60 ± 1.5	<table border="1"> <thead> <tr> <th>PARAMETER</th> <th>50 OHM</th> <th>75 OHM</th> </tr> </thead> <tbody> <tr> <td>FREQUENCY</td> <td>DC-2 GHz</td> <td>DC-500 MHz</td> </tr> <tr> <td>VSWR MAX.</td> <td>1.25:1</td> <td>1.30:1</td> </tr> <tr> <td>ACCURACY</td> <td>3 ± 0.3 dB</td> <td>DC-100 MHz: ± 0.2 dB</td> </tr> <tr> <td></td> <td>6 ± 0.4 dB</td> <td>100-500 MHz: ± 0.5 dB</td> </tr> <tr> <td></td> <td>10 ± 0.4 dB</td> <td></td> </tr> <tr> <td></td> <td>20 ± 1.0 dB</td> <td></td> </tr> <tr> <td></td> <td>30 ± 1.5 dB</td> <td></td> </tr> </tbody> </table>			PARAMETER	50 OHM	75 OHM	FREQUENCY	DC-2 GHz	DC-500 MHz	VSWR MAX.	1.25:1	1.30:1	ACCURACY	3 ± 0.3 dB	DC-100 MHz: ± 0.2 dB		6 ± 0.4 dB	100-500 MHz: ± 0.5 dB		10 ± 0.4 dB			20 ± 1.0 dB			30 ± 1.5 dB	
DB																																				
3 ± 0.3																																				
6 ± 0.3																																				
10 ± 0.5																																				
15 ± 0.5																																				
20 ± 0.5																																				
30 ± 1.0																																				
31-60 ± 1.5																																				
PARAMETER	50 OHM	75 OHM																																		
FREQUENCY	DC-2 GHz	DC-500 MHz																																		
VSWR MAX.	1.25:1	1.30:1																																		
ACCURACY	3 ± 0.3 dB	DC-100 MHz: ± 0.2 dB																																		
	6 ± 0.4 dB	100-500 MHz: ± 0.5 dB																																		
	10 ± 0.4 dB																																			
	20 ± 1.0 dB																																			
	30 ± 1.5 dB																																			
*Also Available in 1.76" Length (up to 30 DB)		2 W 50 Ω, 4 GHz; & 2 W 75 Ω, 2 GHz Avail.																																		

DC-18 GHz PHASE ADJUSTABLE SMA ADAPTERS AND CONNECTORS		
3993-1	3993-2 & 3993-3	SPECIFICATIONS
MALE-FEMALE ADAPTER Part No. 3993A-1 for 4 GHz Unit	3993-2: MALE FOR RG402 SEMIRIGID 3993-3: MALE FOR RG405 SEMIRIGID	FREQUENCY: DC TO 18 GHz VSWR: 1.30:1 MAX. ADJUSTMENT RANGE: 10° X F(GHz) PHASE CHANGE (PER ADJUSTMENT NUT REVOLUTION): 0.636° X F(GHz) INSERTION LOSS: ADAPTER: 0.1 X {F(GHz)} ^{1/2} dB CONNECTOR: .08 X {F(GHz)} ^{1/2} dB VOLTAGE RATING: 500 VRMS DURABILITY: 500 CYCLES TEMPERATURE: -65° TO +125° C 3993-2: A=.088" 3993-3: A=.144"

DC-18 GHz SMA DC BLOCK VSWR 1.35:1 MAX.		DC-18 GHz TYPE N DC BLOCK VSWR 1.35:1 MAX.	
3985-9	3986-9	5985-9	5986-9
INNER ONLY, 0.5 DB LOSS	INNER, OUTER 0.5 DB LOSS	INNER ONLY, 0.5 DB LOSS	INNER, OUTER 0.5 DB LOSS
SMA FEMALE TO SMA MALE	SMA FEMALE TO SMA MALE	N FEMALE TO N MALE	N FEMALE TO N MALE
Also Available in Male/Male, Female/Female Add HV to part # for 150 VDC @ 125°C	Also Available in Male/Male, Female/Female	Also Available in Male/Male, Female/Female	Also Available in Male/Male, Female/Female

TYPE N MALE DUST CAPS	SMA MALE DUST CAPS		SMA MALE SHORT
5230-7-C	3113-*	3230-*	3994M-*
FEMALE AVAILABLE	WITHOUT CHAIN	WITH 2.0" BEAD CHAIN	
Part No. 5113-7 without Chain	3113F=SMA Female	3230F=SMA Female	3994F=Female Add Suffix "C" for Chain

* 1 indicates gold plating, -7 indicates nickel plating, -9 indicates passivated (stainless steel)

Coaxicom manufactures many more components than are shown. They include 2.9 mm and 7 mm attenuators, terminations, and DC blocks, as well as GPO™ attenuators. Additional products include attenuator kits, attenuator/DC Blocks, flange mount attenuators, and Type N to SMA adapter/attenuators. Attenuators and terminations to 300 watts are also available.



STANDARD, CUSTOM, AND HIGH PERFORMANCE CABLE ASSEMBLIES

COAXICOM manufactures a broad line of standard and custom flexible, semi-rigid, and Ultra-Flex cable assemblies. Low loss, high performance cables, as well as ruggedized assemblies suitable for production environments are also available. Standard and custom flexible cable assemblies can be supplied using virtually all of the common RG Type Cables. We also manufacture assemblies using industry standard cables such as the LMR series from Times, and application-specific cables from Belden. Virtually all connector series and combinations are offered, consistent with the size of the cable selected.

hand-formed alternate to semi-rigid. It offers the same electrical characteristics as the corresponding semi-rigid, but the solid outer jacket is replaced with a copper-tin filled braid. This results in an extremely flexible assembly, which can be shaped and reshaped by hand without tooling. Both semi-rigid and Ultra-Flex cable assemblies are available in all standard diameters from .047" to .325". COAXICOM also manufactures .085" and .141" diameter phase adjustable semi-rigid or Ultra-Flex cable assemblies, using the 3993 series of adjustable SMA male connectors.

Part number construction for standard semi-rigid and Ultra-Flex cable assemblies is similar to that described for flexible assemblies. A 24" assembly using .141" semi-rigid with an SMA jack on one end and a phase-adjustable SMA plug on the other end is 3183-402-3993-24. The same assembly using .141" Ultra-Flex is a 3183-402UF-3993-24.

SMA cable plugs for .141" semi-rigid cable are available with or without a center contact. The 3183 connector was chosen over the 3207 connector for the above assembly because it uses the cable center conductor as the male contact pin to provide optimum performance by minimizing discontinuities. The same is true when using .085" semi-rigid with the SSMA plugs.

HIGH PERFORMANCE, AND DURABLE TEST CABLES

COAXICOM high performance cables include low loss designs for receiving systems, and high power low loss types for transmission applications. We also offer durable assemblies for use in challenging production test environments. Summarized below are some examples of what we can offer. They are available using all the appropriate connector series including N, BNC, TNC, SMA, 7/16, 7 mm, 3.5 mm, 2.9 mm and 2.4 mm consistent with the frequency of operation.

FLEXIBLE CABLE ASSEMBLIES

For quoting purposes, initial assembly part numbers for flexible cable can be generated by the customer using the following format:

XXXX-YYY-ZZZZ-L

XXXX, ZZZZ: First 4 digits of connector part numbers shown in this catalog.

YYY: 2 or 3 digit RG (or other) cable designation

L: Cable length in inches.



For Example, an RG-316 cable, 36" long with an SMA male plug on one end, and an SMB plug on the other end would be designated as: 3089-316-6423-36. For reverse-polarity connectors, add a "RP" suffix to the connector part number. For connectors not shown in this catalog, consult factory.

ULTRA-FLEX AND SEMI-RIGID CABLE ASSEMBLIES

The COAXICOM Cable Assembly Department manufactures semi-rigid and Ultra-Flex cable assemblies from user supplied sketches, prints, or bent samples to facilitate fast turn-around. Our semi-rigid cables utilize MIL-C-17 approved material with a soft OFHC copper outer jacket to allow the cable to be formed and re-formed after the connectors have been installed. Tin-plated or silver plated copper jackets, as well as aluminum jackets are also available. Ultra-Flex is a

Cable Type	Loss @18 GHz	Avg. Power @ 1 GHz	Max. Frequency
5120S (Solid CC)	0.42 dB/ft.	800 Watts	32 GHz
5130S (Solid CC)	0.27 dB/ft.	800 Watts	18 GHz
5285* (Stranded CC)	0.65 dB/ft.	400 Watts	40 GHz
5190 (Stranded CC)	0.41 dB/ft.	2 KW	26.5 GHz
5290 (Stranded CC)	0.30 dB/ft.	400 Watts	19 GHz
5305 (Solid CC)	0.27 dB/ft.	4 KW	18 GHz

* Durable Bench Test Cable

RADIAL/AEP TO COAXICOM CROSS REFERENCE

The cross reference shown is, in most cases, equal in performance, assembly and dimensions. All part numbers reflect gold plating, -1xxx for AEP and -1 for COAXICOM. For nickel plating, AEP -7xxx, the COAXICOM suffix is -7 and for passivated stainless steel, AEP -9xxx-, the COAXICOM suffix is -9.

AEP	COAXICOM	PG	AEP	COAXICOM	PG	AEP	COAXICOM	PG	AEP	COAXICOM	PG
1001-1541-009	8122-30-1	33	1701-1551-003	8722-24-1	51	2003-1551-003	6224-24-1	36	2105-1521-005	6426-26-1	36
1001-1541-010	8122-31-1	33	1701-1551-004	8722-25-1	51	2003-1551-005	6224-26-1	36	2105-1521-019	6426-29-1	36
1001-1551-002	8122-23-1	33	1701-1551-007	8722-28-1	51	2003-1551-019	6224-29-1	36	2106-1521-002	6427-23-1	36
1001-1551-003	8122-24-1	33	1701-1571-003	8732-24-1	51	2003-1571-002	6424-23-1	36	2106-1521-003	6427-24-1	36
1001-1571-002	8322-23-1	33	1701-1571-004	8732-25-1	51	2003-1571-003	6424-24-1	36	2106-1521-005	6427-26-1	36
1001-1571-003	8322-24-1	33	1701-1571-007	8732-28-1	51	2003-1571-005	6424-26-1	36	2106-1521-019	6427-29-1	36
1002-1541-009	8123-30-1	33	1702-1551-003	8723-24-1	51	2003-1571-019	6424-29-1	36	2109-1511-000	6230B-1	37
1002-1541-010	8123-31-1	33	1702-1551-004	8723-25-1	51	2004-1511-000	6225-1	36	2109-1511-006	6230BA-1	37
1002-1551-002	8123-23-1	33	1702-1551-007	8723-28-1	51	2005-1541-009	6226-30-1	36	2110-1511-000	6902-1	37
1002-1551-003	8123-24-1	33	1702-1571-003	8733-24-1	51	2005-1541-010	6226-31-1	36	2141-1521-002	6462-23-1	36
1002-1571-002	8323-23-1	33	1702-1571-004	8733-25-1	51	2005-1551-002	6226-23-1	36	2141-1521-003	6462-24-1	36
1002-1571-003	8323-24-1	33	1702-1571-007	8733-28-1	51	2005-1551-003	6226-24-1	36	2141-1521-005	6462-26-1	36
1003-1541-009	8124-30-1	33	1703-1551-003	8724-24-1	51	2005-1551-005	6226-26-1	36	2141-1521-019	6462-29-1	36
1003-1541-010	8124-31-1	33	1703-1551-004	8724-25-1	51	2005-1551-019	6226-29-1	36	2701-1551-003	6742-24-1	52
1003-1551-002	8124-23-1	33	1703-1551-007	8724-28-1	51	2006-1541-009	6227-30-1	36	2701-1551-004	6742-25-1	52
1003-1551-003	8124-24-1	33	1703-1571-003	8734-24-1	51	2006-1541-010	6227-31-1	36	2701-1551-007	6742-28-1	52
1003-1571-002	8324-23-1	33	1703-1571-004	8734-25-1	51	2006-1551-002	6227-23-1	36	2701-1571-003	6752-24-1	52
1003-1571-003	8324-24-1	33	1703-1571-007	8734-28-1	51	2006-1551-003	6227-24-1	36	2701-1571-004	6752-25-1	52
1004-1511-000	8125-1	33	1704-1511-000	8725-1	51	2009-1511-000	6230-1	37	2701-1571-007	6752-28-1	52
1005-1541-009	8126-30-1	33	1705-1551-003	8726-24-1	51	2010-1511-000	6231-1	37	2702-1551-003	6743-24-1	52
1005-1541-010	8126-31-1	33	1705-1551-004	8726-25-1	51	2012-1511-000	6233-1	36	2702-1551-004	6743-25-1	52
1005-1551-002	8126-23-1	33	1705-1551-007	8726-28-1	51	2014-1511-000	6235-1	36	2702-1551-007	6743-28-1	52
1005-1551-003	8126-24-1	33	1709-1511-000	8730-1	51	2014-7511-000	6235-7	36	2702-1571-003	6753-24-1	52
1006-1541-009	8127-30-1	33	1710-1511-000	8731-1	51	2017-1511-000	6238-1	37	2702-1571-004	6753-25-1	52
1006-1541-010	8127-31-1	33	1715-1521-003	8736-24-1	51	2019-1511-000	6240-1	36	2702-1571-007	6753-28-1	52
1006-1551-002	8127-23-1	33	1715-1521-004	8736-25-1	51	2025-1511-000	6246-1	37	2703-1551-003	6744-24-1	52
1006-1551-003	8127-24-1	33	1715-1521-007	8736-28-1	51	2028-1541-009	6229-30-1	38	2703-1551-004	6744-25-1	52
1009-1511-000	8130-1	34	1719-1511-000	8740-1	51	2028-1541-010	6229-31-1	38	2703-1551-007	6744-28-1	52
1010-1511-000	8131-1	34	1736-1511-075	8705F-75-1	51	2028-1551-002	6229-23-1	38	2703-1571-003	6754-24-1	52
1012-1511-000	8133-1	33	2001-1541-009	6222-30-1	36	2028-1551-003	6229-24-1	38	2703-1571-004	6754-25-1	52
1017-1511-000	8138-1	33	2001-1541-010	6222-31-1	36	2028-1551-005	6229-26-1	38	2703-1571-007	6754-28-1	52
1019-1511-000	8140-1	33	2001-1551-002	6222-23-1	36	2028-1551-019	6229-29-1	38	2704-1511-000	6745-1	52
1025-1511-000	8146-1	34	2001-1551-003	6222-24-1	36	2028-1571-002	6429-23-1	37	2705-1551-003	6746-24-1	52
1029-1211-001	8150-1-1	34	2001-1551-005	6222-26-1	36	2028-1571-003	6429-24-1	37	2705-1551-004	6746-25-1	52
1029-1211-002	8150-2-1	34	2001-1551-019	6226-29-1	36	2028-1571-005	6429-26-1	37	2705-1551-007	6746-28-1	52
1029-1211-003	8150-3-1	34	2001-1571-002	6422-23-1	36	2028-1571-019	6429-29-1	37	2709-1511-001	6750-1	52
1036-1511-051	8005F-51-1	35	2001-1571-003	6422-24-1	36	2029-1211-001	6250-1-1	37	2710-1511-000	6751-1	52
1037-1511-051	8005M-51-1	35	2001-1571-005	6422-26-1	36	2029-1211-002	6250-2-1	37	2715-1521-003	6756-24-1	52
1041-1541-009	8162-30-1	33	2001-1571-019	6422-29-1	36	2029-1211-003	6250-3-1	37	2715-1521-004	6756-25-1	52
1041-1541-010	8162-31-1	33	2002-1541-009	6223-30-1	36	2036-1511-051	6005F-51-1	38	2715-1521-007	6756-28-1	52
1041-1551-002	8162-23-1	33	2002-1541-010	6223-31-1	36	2037-1511-051	6005M-51-1	38	2719-1511-000	6760-1	52
1041-1551-003	8162-24-1	33	2002-1551-002	6223-23-1	36	2041-1541-009	6262-30-1	36	2725-1511-000	6761-1	—
1042-1511-000	8163-1	34	2002-1551-003	6223-24-1	36	2041-1541-010	6262-31-1	36	2736-1511-075	6705F-75-1	52
1092-1511-003	8150R-3-1	34	2002-1551-005	6223-26-1	36	2041-1551-002	6262-23-1	36	2815-2521-0XX	6756L-XX*	52
1105-1521-002	8326-23-1	33	2002-1551-008	6223-29-1	36	2041-1551-003	6262-24-1	36	3001-1541-009	9822-30-1	39
1105-1521-003	8326-24-1	33	2002-1571-002	6423-23-1	36	2041-1551-005	6262-26-1	36	3001-1541-010	9822-31-1	39
1106-1521-002	8327-23-1	33	2002-1571-003	6423-24-1	36	2041-1551-019	6262-29-1	36	3001-1551-002	9822-23-1	39
1106-1521-003	8327-24-1	33	2002-1571-005	6423-26-1	36	2042-1511-000	6263-1	37	3001-1551-003	9822-24-1	39
1109-1511-00	8130B-1	34	2002-1571-019	6423-29-1	36	2082-2571-0XX	6753L-XX*	52	3001-1551-005	9822-26-1	39
1110-1511-000	8131B-1	34	2003-1541-009	6224-30-1	36	2092-1511-003	6150R-3-1	—	3001-1551-019	9822-29-1	39
1141-1521-002	8362-23-1	33	2003-1541-010	6224-31-1	36	2105-1521-002	6426-23-1	36	3001-1571-002	9882-23-1	39
1141-1521-003	8362-24-1	33	2003-1551-002	6224-23-1	36	2105-1521-003	6426-24-1	36	3001-1571-003	9882-24-1	39

<http://www.coaxicom.com/AEP.html>

RADIALL/AEP TO COAXICOM (cont.) CROSS REFERENCE



AEP	COAXICOM	PG	AEP	COAXICOM	PG	AEP	COAXICOM	PG	AEP	COAXICOM	PG
3001-1571-005	9882-26-1	39	3041-1541-010	9862-31-1	39	5113-1501-000	4533-1-4	70	5615-1501-000	5530-1-6	70
3001-1571-019	9882-29-1	39	3041-1551-002	9862-23-1	39	5114-1501-000	4533-1-5	70	5616-1501-000	5530-1-7	70
3002-1541-009	9823-30-1	39	3041-1551-003	9862-24-1	39	5115-1501-000	4533-1-6	70	5617-1501-000	5530-1-8	70
3002-1541-010	9823-31-1	39	3041-1551-005	9862-26-1	39	5116-1501-000	4533-1-7	70	5707-1501-000	8728-1	51
3002-1551-002	9823-23-1	39	3041-1551-019	9862-29-1	39	5117-1501-000	4533-1-8	70	5715-1501-000	8741-1	—
3002-1551-003	9823-24-1	39	3042-1511-000	9863-1	40	5207-1501-000	6228-1	38	5725-1501-000	6762-1	—
3002-1551-005	9823-26-1	39	3097-1511-000	9860-1	40	5208-1501-000	6229-1	38	5727-1501-000	6748-1	52
3002-1551-019	9823-29-1	39	3097-7511-000	9860-7	40	5213-1501-000	6234-1	38	5732-1501-000	6820-1	52
3002-1571-002	9883-23-1	39	3105-1521-002	9886-23-1	39	5215-1501-000	6236-1	38	5738-1501-000	6759-1	—
3002-1571-003	9883-24-1	39	3105-1521-003	9886-24-1	39	5216-1501-000	6237-1	38	5807-1501-000	8128-1	35
3002-1571-005	9883-26-1	39	3105-1521-005	9886-26-1	39	5222-1501-000	6243-1	38	5808-1501-000	8129-1	35
3002-1571-019	9883-29-1	39	3105-1521-019	9886-29-1	39	5302-1501-000	4574-1-1	70	5813-1501-000	8134-1	35
3003-1541-009	9824-30-1	39	3106-1521-002	9887-23-1	39	5303-1501-000	4574-1-2	70	5814-1501-000	6000-1	70
3003-1541-010	9824-31-1	39	3106-1521-003	9887-24-1	39	5304-1501-000	4574-1-3	70	5815-1501-000	8136-1	35
3003-1551-002	9824-23-1	39	3106-1521-005	9887-26-1	39	5305-1501-000	4574-1-4	70	5816-1501-000	8137-1	35
3003-1551-003	9824-24-1	39	3106-1521-019	9887-29-1	39	5306-1501-000	4574-1-5	70	5822-1501-000	8143-1	35
3003-1551-005	9824-26-1	39	3141-1521-002	9885-23-1	39	5307-1501-000	4574-1-6	70	5830-1501-000	6001-1	70
3003-1551-019	9824-29-1	39	3141-1521-003	9885-24-1	39	5308-1501-000	4574-1-7	70	5831-1501-000	3044-1	72
3003-1571-002	9884-23-1	39	3141-1521-005	9885-26-1	39	5309-1501-000	4574-1-8	70	5832-1501-000	3045-1	—
3003-1571-003	9884-24-1	39	3141-1521-019	9885-29-1	39	5402-1501-000	2524-1-1	70	5903-1503-000	3086-1	21
3003-1571-005	9884-26-1	39	3141-1541-009	9885-30-1	39	5403-1501-000	2524-1-2	70	5905-1503-000	3087-1	21
3003-1571-019	9884-29-1	39	3141-1541-010	9885-31-1	39	5404-1501-000	2524-1-3	70	5909-1103-000	3209A-1	21
3004-1511-000	9825-1	39	4000-1041-OXX	5461-4XX-1	60	5405-1501-000	2524-1-4	70	5916-1103-603	3216-1	21
3005-1541-009	9826-30-1	39	4000-1051-OXX	5461-5XX-1	60	5406-1501-000	2524-1-5	70	5917-1103-000	3217-1	21
3005-1541-010	9826-31-1	39	4000-1071-OXX	5461-7XX-1	60	5407-1501-000	2524-1-6	70	5918-1103-000	3218-1	21
3005-1551-002	9826-23-1	39	4000-1563-009	5016X-9	—	5408-1501-000	2524-1-7	70	5919-1503-000	3219A-1	21
3005-1551-003	9826-24-1	39	4000-1563-010	5017X-1	—	5409-1501-000	2524-1-8	70	5919-1503-001	3085-1	21
3005-1551-005	9826-26-1	39	4501-1041-OXX	5570-4XX-1	60	5502-1501-000	2571-1-1	70	5919-1503-003	3119-1	21
3005-1551-019	9826-29-1	39	4501-1051-OXX	5570-5XX-1	60	5503-1501-000	2571-1-2	70	5937-1503-000	3037M-1	—
3006-1541-009	9827-30-1	39	4501-1071-OXX	5570-7XX-1	60	5504-1501-000	2571-1-3	70	5938-1503-000	3039M-1	—
3006-1541-010	9827-31-1	39	4501-9543-009	5021X-9	—	5505-1501-000	2571-1-4	70	6000-1041-OXX	4547-4XX-1	63
3006-1551-002	9827-23-1	39	4501-9543-010	5022X-9	—	5506-1501-000	2571-1-5	70	6000-1051-OXX	4547-5XX-1	63
3006-1551-003	9827-24-1	39	4502-1041-OXX	5552-4XX-1	60	5507-1501-000	2571-1-6	70	6000-1071-OXX	4547-7XX-1	63
3006-1551-005	9827-26-1	39	4502-1051-OXX	5552-5XX-1	60	5508-1501-000	2571-1-7	70	6001-1041-OXX	4539-4XX-1	63
3006-1551-019	9827-29-1	39	4502-1071-OXX	5552-7XX-1	60	5509-1501-000	2571-1-8	70	6001-1051-OXX	4539-5XX-1	63
3009-1511-000	9830-1	39	5002-1501-000	5529-1-1	70	5510-1501-000	2525-1-1	70	6001-1071-OXX	4539-7XX-1	63
3010-1511-000	9831-1	39	5003-1501-000	5529-1-2	70	5511-1501-000	2525-1-2	70	6002-1041-OXX	4577-4XX-1	63
3010-1511-003	9831D-1	40	5004-1501-000	5529-1-3	70	5512-1501-000	2525-1-3	70	6002-1051-OXX	4577-5XX-1	63
3010-7511-000	9831-7	39	5005-1501-000	5529-1-4	70	5513-1501-000	2525-1-4	70	6002-1071-OXX	4577-7XX-1	63
3010-7511-003	9831D-7	40	5006-1501-000	5529-1-5	70	5514-1501-000	2525-1-5	70	6500-1041-OXX	2541-4XX-1	54
3012-1511-000	9833-1	40	5007-1501-000	5529-1-6	70	5515-1501-000	2525-1-6	70	6500-1051-OXX	2541-5XX-1	54
3014-1511-000	9835-1	40	5008-1501-000	5529-1-7	70	5516-1501-000	2525-1-7	70	6500-1071-OXX	2541-7XX-1	54
3017-1511-000	9838-1	40	5009-1501-000	5529-1-8	70	5517-1501-000	2525-1-8	70	6501-1041-OXX	2540-4XX-1	56
3019-1511-000	9840-1	39	5011-1503-000	5529-3M-1	70	5602-1501-000	5556-1-1	70	6501-1051-OXX	2540-5XX-1	56
3025-1511-000	9841-1	40	5013-1503-000	5529-1M-1	70	5603-1501-000	5556-1-2	70	6501-1071-OXX	2540-7XX-1	56
3028-1541-009	9829-30-1	40	5102-1501-000	4564-1-1	70	5604-1501-000	5556-1-3	70	6502-1041-OXX	2578-4XX-1	56
3028-1541-010	9829-31-1	40	5103-1501-000	4564-1-2	70	5605-1501-000	5556-1-4	70	6502-1051-OXX	2578-5XX-1	56
3028-1551-002	9829-23-1	40	5104-1501-000	4564-1-3	70	5606-1501-000	5556-1-5	70	6502-1071-OXX	2578-7XX-1	56
3028-1551-003	9829-24-1	40	5105-1501-000	4564-1-4	70	5607-1501-000	5556-1-6	70	7002-1541-OXX	8M273-XX-1	46
3028-1551-005	9829-26-1	40	5106-1501-000	4564-1-5	70	5608-1501-000	5556-1-7	70	7002-1571-OXX	8M323-XX-1	466
3028-1551-019	9829-29-1	40	5107-1501-000	4564-1-6	70	5609-1501-000	5556-1-8	70	7003-1542-OXX	8M124-XX-1	47
3028-1571-002	9889-23-1	40	5108-1501-000	4564-1-7	70	5610-1501-000	5530-1-1	70	7003-1572-OXX	8M324-XX-1	49
3028-1571-003	9889-24-1	40	5109-1501-000	4564-1-8	70	5611-1501-000	5530-1-2	70	7004-1512-000	8M225T-1	47
3028-1571-005	9889-26-1	40	5110-1501-000	4533-1-1	70	5612-1501-000	5530-1-3	70	7009-1511-000	8M130-1	47
3028-1571-019	9889-29-1	40	5111-1501-000	4533-1-2	70	5613-1501-000	5530-1-4	70	7009-1511-004	8M130TM-1	47
3041-1541-009	9862-30-1	39	5112-1501-000	4533-1-3	70	5614-1501-000	5530-1-5	70	7009-1511-005	8M130EM-1	47

<http://www.coaxicom.com/AEP.html>

AEP	COAXICOM	PG	AEP	COAXICOM	PG	AEP	COAXICOM	PG	AEP	COAXICOM	PG
7009-1511-040	8M130P-1	47	7145-1511-3XX	6M266SLP-1	49	7242-1511-040	6M263SLP-1	44	7410-1511-015	6M902TM-1	44
7009-1511-041	8M130SLP-1	47	7145-1511-4XX	6M266EM-XX-1	49	7242-1511-050	6M263SL-1	44	7410-1511-040	6M902SLP-1	43
7009-1511-050	8M130SL-1	47	7145-1511-5XX	6M266EMP-XX-1	49	7242-1511-060	6M263EM-1	44	7410-1511-050	6M902SL-1	43
7009-1511-061	8M130EMP-1	47	7145-1511-6XX	6M266TM-XX-1	49	7242-1511-061	6M263EMP-1	44	7410-1511-060	6M902EM-1	44
7010-1511-000	8M131-1	48	7146-1511-0XX	6M167-XX-1	49	7302-1542-0XX	9M273-XX-1	44	7410-1511-061	6M902EMP-1	44
7010-1511-015	8M131TM-1	48	7146-1511-1XX	6M167P-XX-1	49	7302-1572-0XX	9M883-XX-1	44	7441-1561-0XX	6M262-XX-1	42
7010-1511-040	8M131P-1	48	7146-1511-2XX	6M167SL-XX-1	49	7303-1541-0XX	9M824-XX-1	45	7441-1571-0XX	6M462-XX-1	43
7010-1511-041	8M131SLP-1	48	7146-1511-3XX	6M167SLP-XX-1	49	7303-1571-0XX	9M884-XX-1	45	7496-1512-000	6M117T-1	43
7010-1511-050	8M131SL-1	48	7146-1511-4XX	6M167EM-XX-1	49	7304-1511-000	9M825T-1	45	7498-1513-000	6M111A-1-1	44
7010-1511-060	8M131EM-1	48	7146-1511-5XX	6M167EMP-XX-1	49	7305-1521-0XX	9M886-XX-1	44	7499-1513-000	6M111A-2-1	44
7010-1511-061	8M131EMP-1	48	7198-1513-000	8M111A-1-1	49	7305-1561-0XX	9M276-XX-1	44	8012-1021-003	0101-24-1	—
7012-1511-000	8M223T-1	47	7199-1513-000	8M112A-1	49	7309-1511-000	9M830-1	45	8020-1541-009	8241-30-1	35
7017-1512-000	8M238T-1	47	7201-1541-0XX	6M272-XX-1	42	7309-1511-012	9M830P-1	45	8020-1541-010	8241-31-1	35
7022-1502-000	6M000B-1	—	7201-1571-0XX	6M422-XX-1	42	7309-1511-015	9M830TM-1	45	8020-1551-002	8241-23-1	35
7025-1512-000	8M146-1	48	7202-1542-0XX	6M273-XX-1	42	7309-1511-040	9M830SLP-1	45	8020-1551-003	8241-24-1	35
7025-1512-012	8M146P-1	48	7202-1572-0XX	6M423-XX-1	42	7309-1511-050	9M830SL-1	45	8020-1551-005	8241-26-1	35
7025-1512-040	8M146SLP-1	48	7203-1541-0XX	6M224-XX-1	42	7309-1511-060	9M830EM-1	45	8020-1551-019	8241-29-1	35
7025-1512-050	8M146SL-1	48	7203-1571-0XX	6M424-XX-1	42	7309-1511-061	9M830EMP-1	45	8020-1551-0XX	8241-XX-1	35
7025-1512-060	8M146EM-1	48	7204-1511-000	6M225T-1	42	7310-1511-000	9M831-1	45	8020-7551-0XX	8241-XX-7	35
7025-1512-061	8M146EMP-1	48	7209-1511-000	6M230-1	43	7310-1511-012	9M831P-1	45	8021-1041-009	8261-30-1	—
7029-1511-000	8M130B-1	48	7209-1511-011	6M230SL-1	43	7310-1511-015	9M731-1	46	8021-1041-010	8261-31-1	—
7029-1511-012	8M130BP-1	48	7209-1511-012	6M230P-1	43	7310-1511-040	9M831SLP-1	46	8021-1051-002	8142-23-1	35
7029-1511-015	8M130BTM-1	48	7209-1511-015	6M230TM-1	43	7310-1511-050	9M831SL-1	46	8021-1051-003	8142-24-1	35
7029-1511-040	8M130BSLP-1	48	7209-1511-023	6M230EM-1	43	7310-1511-060	9M931SL-1	46	8021-1051-005	8142-26-1	35
7029-1511-050	8M130BSL-1	48	7209-1511-040	6M230SLP-1	43	7310-1511-061	9M931SLP-1	46	8021-1051-019	8142-29-1	35
7029-1511-060	8M130BEM-1	48	7209-1511-061	6M230EMP-1	43	7312-1511-000	9M833T-1	45	8021-1051-0XX	8142-XX-1	35
7029-1511-061	8M130BEMP-1	48	7210-1511-000	6M231-1	43	7317-1511-000	9M838T-1	45	8021-7051-0XX	8142-XX-7	35
7040-1511-000	8M261T-1	47	7210-1511-012	6M231P-1	43	7325-1512-000	9M841-1	46	8044-1541-0XX	8165-XX-1	35
7042-1511-000	8M163-1	49	7210-1511-015	6M231TM-1	43	7325-1512-012	9M841P-1	46	8044-7541-0XX	8165-XX-7	35
7042-1511-012	8M163P-1	49	7210-1511-040	6M231SLP-1	43	7325-1512-015	9M841TM-1	46	8045-1541-010	6266-31-1	38
7042-1511-015	8M163TM-1	49	7210-1511-050	6M231SL-1	43	7325-1512-040	9M841SLP-1	46	8045-1551-0XX	6266-XX-1	38
7042-1511-040	8M163SLP-1	49	7210-1511-060	6M231EM-1	43	7325-1512-050	9M841SL-1	46	8045-7551-0XX	6266-XX-7	38
7042-1511-050	8M163SL-1	49	7210-1511-061	6M231EMP-1	43	7325-1512-060	9M841EM-1	46	8046-1551-0XX	6167-XX-1	38
7042-1511-060	8M163EM-1	49	7212-1511-000	6M223T-1	42	7325-1512-061	9M841EMP-1	46	8046-7551-0XX	6167-XX-7	38
7042-1511-061	8M163EMP-1	49	7217-1512-000	6M238T-1	43	7332-1571-0XX	9M913-0XX-1	45	8145-1521-0XX	8466-XX-1	38
7101-1541-0XX	8M122-XX-1	47	7219-1511-000	6M240T-1	42	7332-1571-2XX	9M913-2XX-1	45	8145-7521-0XX	8466-XX-7	38
7101-1571-0XX	8M322-XX-1	47	7222-1501-000	6M234-1	44	7335-1571-0XX	9M835-0XX-1	45	9001-1023-001	3089-1-9	7
7105-1521-0XX	8M326-XX-1	46	7225-1512-000	6M246-1	44	7335-1571-2XX	9M835-2XX-1	45	9001-1023-003	3089-3-9	7
7105-1561-0XX	8M276-XX-1	46	7225-1512-012	6M246P-1	44	7340-1511-000	9M861T-1	45	9001-1023-004	3089-4-9	7
7106-1521-0XX	8M327-XX-1	47	7225-1512-015	6M246TM-1	44	7341-1561-0XX	9M275-XX-1	45	9001-1023-005	3089-5-9	7
7106-1561-0XX	8M227-XX-1	47	7225-1512-040	6M246SLP-1	44	7341-1571-0XX	9M885-XX-1	45	9001-1023-006	3089-2-9	7
7110-1511-000	8M902-1	48	7225-1512-050	6M246SL-1	44	7342-1511-000	9M863-1	46	9001-1033-001	3089-1-9	7
7110-1511-012	8M902P-1	48	7225-1512-060	6M246EM-1	44	7342-1511-012	9M863P-1	46	9001-1033-003	3089-3-9	7
7110-1511-015	8M902TM-1	48	7225-1512-061	6M246EMP-1	44	7342-1511-015	9M863TM-1	46	9001-1033-004	3089-4-9	7
7110-1511-040	8M902SLP-1	48	7229-1511-000	6M230B-1	43	7342-1511-040	9M863SLP-1	46	9001-1033-005	3089-5-9	7
7110-1511-050	8M902SL-1	48	7229-1511-012	6M230BP-1	43	7342-1511-050	9M863SL-1	46	9001-1033-006	3089-2-9	7
7110-1511-060	8M902EM-1	48	7229-1511-015	6M230BTM-1	43	7342-1511-060	9M863EM-1	46	9002-1023-001	3091-1-1	8
7110-1511-061	8M902EMP-1	48	7229-1511-040	6M230BSLP-1	43	7342-1511-061	9M863EMP-1	46	9002-1023-003	3091-3-1	8
7119-1512-000	8M240T-1	47	7229-1511-050	6M230BSL-1	43	7396-1512-000	9M117T-1	45	9002-1023-006	3091-2-1	8
7122-1502-000	8M234-1	49	7229-1511-060	6M230BEM-1	43	7405-1521-0XX	6M426-XX-1	42	9002-1033-001	3091-1-1	8
7141-1562-0XX	8M162-XX-1	47	7229-1511-061	6M230BEMP-1	43	7405-1561-0XX	6M276-XX-1	42	9002-1033-003	3091-3-1	8
7141-1572-0XX	8M362-XX-1	47	7240-1511-000	6M261T-1	42	7406-1521-0XX	6M427-XX-1	42	9002-1033-006	3091-2-1	8
7145-1511-0XX	6M266-XX-1	49	7242-1511-000	6M263-1	44	7406-1561-0XX	6M227-XX-1	42	9003-1213-001	3203-1-1	—
7145-1511-1XX	6M266P-XX-1	49	7242-1511-012	6M263P-1	44	7410-1511-000	6M902-1	43	9003-1213-002	3203-2-1	—
7145-1511-2XX	6M266SL-1	49	7242-1511-015	6M263TM-1	44	7410-1511-012	6M902P-1	43	9003-1213-003	3203-3-1	—

<http://www.coaxicom.com/AEP.html>

RADIALL/AEP TO COAXICOM (cont.) AND MILITARY CROSS REFERENCE



AEP	COAXICOM	PG	AEP	COAXICOM	PG	AEP	COAXICOM	PG	MILITARY	COAXICOM	PG
9004-1113-000	3204-CC-1	11	9130-1573-006	3610-2-1	9	9453-1083-010	3210-2-1	6	M39012/55-3006	3917-5-1	6
9004-1213-000	3204-1	11	9131-1573-001	3636-1A-1	—	9454-1513-000	3150-1	14	M39012/55-3007	3917B-24-1	—
9008-1113-000	3000-CC-1	11	9131-1573-002	3636-5-1	—	9455-1113-000	3112-1-1	9	M39012/55-3009	3917-1-9	6
9008-1213-000	3000-1	11	9131-1573-003	3636-3A-1	—	9456-1113-002	3220A-1-1	16	M39012/55-3019	3601-3-9	7
9009-1113-000	3214CC-1	9	9131-1573-004	3636-4B-1	—	9508-9113-002	3130-9	19	M39012/55-3021	3601-2-1	7
9009-1213-000	3214-1	9	9131-1573-006	3636-2A-1	—	9531-1593-009	3236-1A-1	—	M39012/55-3029	3090-2-1	7
9012-1573-004	3091-3-1	8	9154-1513-000	3151T-1	—	9609-1513-000	3126-1	14	M39012/55-3102	3244-6-9	11
9013-1113-000	3220-1	46	9155-1113-000	3926I-CC-1	10	9610-1213-001	3243-3-1	—	M39012/55-3106	3601-5-1	7
9030-1023-001	3088-1-1	9	9176-1113-000	3121-1	12	9610-1213-002	3243-1-1	—	M39012/55-3107	3917-3-*	6
9030-1023-003	3088-3-1	9	9201-1553-001	3917-1-9	6	9610-1213-003	3243-4-1	—	M39012/55-3109	3917-1-*	6
9030-1023-006	3088-3-1	9	9201-1553-002	3917-5-9	6	9620-9003-151	3900-9	73	M39012/55-3110	3917-1-*	6
9030-1033-001	3088-1-1	9	9201-1553-003	3917-3-9	6	9646-1513-000	3149-1	18	M39012/55-3112	3089-3-1	7
9030-1033-003	3088-3-1	9	9201-1553-004	3917-4-9	6	9647-1513-000	3114-1	18	M39012/55-3114	3091-2-1	8
9030-1033-006	3088-2-1	9	9201-1553-006	3601-2-1	6	9649-1113-000	3148-1	18	M39012/55-3116	3089-1-1	7
9031-1023-001	3146-1-1	9	9201-1553-019	3917-29-9	6	9650-1113-000	3115-1	18	M39012/55-3117	3091-2-1	8
9031-1023-003	3146-3-1	9	9204-1113-001	3919CC-18-1	13	9650-1113-014	3115EM-1	18	M39012/55-3126	3601-3-*	7
9031-1023-006	3146-2-1	9	9204-1113-002	3919CC-12-1	13				M39012/55-3128	3601-1-*	7
9031-1033-001	3146-1-1	9	9204-1113-003	3919-CC-25-1	13				M39012/55-3129	3601-2-*	7
9031-1033-003	3146-3-1	9	9204-1213-001	3919-18-1	13				M39012/55-4102	3089-3-9	7
9031-1033-006	3146-2-1	9	9204-1213-002	3919-12-1	13				M39012/55-4112	3501-24-1	—
9034-1213-001	3213-3-1	—	9204-1213-003	3919-25-1	13				M39012/56-3007	3911A-3-1	7
9034-1213-002	3213-1-1	—	9207-1113-000	3923-1CC-12-1	—				M39012/56-3009	3911A-1-1	7
9034-1213-003	3213-4-1	—	9208-1113-000	3250CC-12-1-A	13				M39012/56-3107	3911A-3-1	7
9043-1523-001	3090-1-9	7	9208-1113-001	3250CC-18-1-A	13				M39012/56-3109	3911A-1-*	7
9043-1523-002	3090-5-9	7	9208-1113-002	3250CC-25-1-A	13				M39012/56-3110	3911A-1-*	7
9043-1523-003	3090-3-9	7	9208-1213-000	3250-12-1	13				M39012/56-3126	3090-3-*	7
9043-1523-004	3090-4-9	7	9208-1213-001	3250-18-1	13				M39012/56-3128	3090-1-*	7
9043-1523-006	3090-2-9	7	9208-1213-002	3250-25-1	13				M39012/56-3129	3090-2-*	7
9043-1533-001	3090-1-9	7	9209-1113-000	3923CC-12-1	10	80-1151-XXXX	6223-316-6223-L	—	M39012/57-3012	3091-2-*	8
9043-1533-002	3090-5-9	7	9209-1113-001	3923CC-18-1	10	80-1152-XXXX	6223-316-6426-L	—	M39012/57-3014	3091-2-1	8
9043-1533-003	3090-3-9	7	9209-1113-002	3923CC-28-1	10	80-1153-XXXX	6426-316-6426-L	—	M39012/57-3017	3091-2-1	8
9043-1533-004	3090-4-9	7	9230-1553-003	3905-3-1	8	80-1154-XXXX	6223-316-6424-L	—	M39012/57-3019	3602-3-1	8
9043-1533-006	3090-2-9	7	9243-1553-003	3911A-3-9	7	80-1155-XXXX	6426-316-6424-L	—	M39012/57-3021	3602-2-1	8
9044-1513-000	3130-12-1	19	9301-1063-009	3183-1-1	4	80-1156-XXXX	8223-316-8223-L	—	M39012/58-3012	3146-3-1	8
9048-1513-000	3130E-18-1	—	9304-1113-013	3123-1	11	80-1157-XXXX	8223-316-8426-L	—	M39012/58-3014	3146-2-1	8
9055-1113-000	3117-CC-1	9	9401-1083-010	3201-2A-1	4	80-1158-XXXX	8426-316-8426-L	—	M39012/58-3015	3146-1-1	8
9055-1213-000	3117-1	9	9401-1083-109	3207-1-1	4	80-1159-XXXX	8223-316-8424-L	—	M39012/58-3016	3146-1-1	8
9056-1113-000	3220A-1	16	9402-1083-009	3202-1A-1	5	80-1160-XXXX	8426-316-8424-L	—	M39012/58-3019	3636-3A-1	—
9080-9513-000	3130A-12-1	—	9402-1083-010	3202-2A-1	5	80-1161-XXXX	8426-316-8424-L	—	M39012/58-3021	3636-2A-1	—
9101-1573-001	3601-1-1	7	9404-1113-000	3215-1	11	80-1162-XXXX	3089-316-3089-L	—	M39012/58-3022	3636-1A-1	—
9101-1573-002	3601-5-1	7	9408-1113-000	3244-2-1	11	80-1163-XXXX	3089-223-2089-L	—	M39012/58-4002	3143-3-1	—
9101-1573-003	3601-3-1	7	9408-1113-002	3244-2F-1	11	80-1164-XXXX	3089-316-3090-L	—	M39012/59-3006	3905-5-1	8
9101-1573-004	3601-4-1	7	9409-1113-000	3111-1-1	9	80-1165-XXXX	3090-316-3090-L	—	M39012/59-3007	3905-3-1	8
9101-1573-006	3601-2-1	7	9412-1113-000	3211-1	13	80-1166-XXXX	3090-223-3090-L	—	M39012/59-3008	3905-5-1	8
9102-1573-001	3602-1-1	8	9413-1113-000	3220-1-1	16	80-1167-XXXX	3089-316-3610-L	—	M39012/59-3009	3610-1-1	6
9102-1573-003	3602-3-1	8	9422-1113-000	3118-1	14	80-1168-XXXX	3089-223-3610-L	—	M39012/59-3010	3905-5-1	8
9102-1573-006	3602-2-1	8	9424-1513-000	3224-1	15	80-1169-XXXX	3090-316-3610-L	—	M39012/59-3012	3088-3-1	9
9104-1113-000	3215-3CC-1	12	9431-1083-009	3206-1-1	5	80-1170-XXXX	3090-223-3610-L	—	M39012/59-3014	3088-2-1	9
9104-1213-000	3215-3-1	12	9431-1083-010	3206-2-1	5	81-1212-XXXX	3183-402-3183-L	—	M39012/59-3015	3088-1-1	9
9108-1113-000	3244-3CC-1	12	9432-1113-000	3212-1	13	81-1222-XXXX	3183-405-3183-L	—	M39012/59-4007	3992-1	—
9109-1113-000	3144-3CC-1	10	9441-1083-009	3246-1-1	5	81-1225-XXXX	3183-405-3221-L	—	M39012/60-3002	3244-2-1	11
9130-1573-001	3610-1-1	9	9441-1083-010	3246-2-1	5	81-1226-XXXX	3183-402-3221-L	—	M39012/61-3001	3212-1	13
9130-1573-002	3610-5-1	9	9443-1563-009	3221-1A-1	4	81-1227-XXXX	3221-405-3221-L	—	M39012/61-4001	3211-*	13
9130-1573-003	3610-3-1	9	9443-1563-010	3221-2A-1	4	81-1228-XXXX	3221-402-3221-L	—	M39012/67-0001	6223-23-1	36
9130-1573-004	3610-4-1	9	9453-1083-009	3210-1-1	6	81-1229-XXXX	3183-405-3210-L	—	M39012/67-0002	6223-24-1	36
						81-1230-XXXX	3183-405-3210-L	—	M39012/67-0003	6223-23-1	36
						81-1231-XXXX	3221-405-3210-L	—	M39012/67-0004	6223-24-1	36
						81-1232-XXXX	3221-402-3210-L	—	M39012/67B-0010	6423-24-1	36
						81-1233-XXXX	3246-405-3246-L	—	M39012/68-0001	6222-23-1	36
						81-1234-XXXX	3246-402-3246-L	—	M39012/68-0002	6222-24-1	36
									M39012/68-0003	6222-23-1	36
									M39012/68-0004	6222-24-1	36

CABLE ASSEMBLIES

Note that this is only a small sampling of AEP assemblies that COAXICOM can cross. Please contact factory for assemblies not shown.

continued on Page 91

PASTERNAK TO COAXICOM CROSS REFERENCE

This cross reference provides Coaxicom functional equivalents that are in most cases equal dimensionally and in performance, but does not represent the extend of our adapter line. Consult factory for adapters not shown. Coaxicom can also cross many other Pasternack products such as cable assemblies, connectors, attenuators, terminations, phase trimmers, DC blocks, and waveguide to coaxial adapters. The suffix on the Coaxicom adapters in most cases represent the body finish. Gold plating is indicated by -1, silver by -7, and passivated stainless steel by -9. In many cases, an * is used in the part number to indicate a user option for the finish.

PASTERNAK	COAXICOM	PG	PASTERNAK	COAXICOM	PG	PASTERNAK	COAXICOM	PG	PASTERNAK	COAXICOM	PG
PE9063	3100-9	68	PE9180	014673-4	—	PE9305	8129-7	35	PE9439	3078-9	68
PE9067	3209AI-9	—	PE9182	3087-9	21	PE9306	5004-75-7	—	PE9440	3075-9	68
PE9068	3219A-9	21	PE9184	3208A-9	21	PE9308	5006-75-7	—	PE9441	3076-9	68
PE9069	3218-9	21	PE9185	3108-*	69	PE9309	6253-7	38	PE9442	3083-9	68
PE9070	3217-9	21	PE9187	3314-9	68	PE9310	6229-7	38	PE9443	4003-9	64
PE9071	3209A-9	21	PE9188	3312-9	68	PE9311	5003A-7	—	PE9444	4004-9	64
PE9072	3103-9	69	PE9189	7259-9	27	PE9312	3145-9	21	PE9445	4006-9	64
PE9073	3107-9	69	PE9191	7903-9	71	PE9313	5529-*3	70	PE9446	4252-9	—
PE9074	3102-9	69	PE9192	7267-9	27	PE9314	5529-*4	70	PE9447	4251-9	—
PE9075	3101-9	69	PE9198	5085-*	61	PE9315	5529F-*3	—	PE9448	4250-9	—
PE9076	3078-9	68	PE9206	5201-7	—	PE9316	5529F-*4	—	PE9449	4249-9	—
PE9077	3075-9	68	PE9213	7909-9	71	PE9317	5529-*1	70	PE9451	021218-9	—
PE9078	3076-9	68	PE9214	3908-9	72	PE9318	5529-*2	70	PE9452	021216-9	—
PE9079	3083-9	68	PE9215	3909-9	72	PE9319	5529F-*1	—	PE9453	02121-97	—
PE9080	3080-9	68	PE9216	3713-9	72	PE9320	5529F-*2	—	PE9454	022100-9	67
PE9081	3077-9	68	PE9217	3712-9	72	PE9321	5908B-1	—	PE9455	022101-9	67
PE9082	3079-9	68	PE9218	3711-9	72	PE9322	5909-1	72	PE9456	022102-9	67
PE9083	3098-9	68	PE9219	3710-9	72	PE9323	5908A-1	72	PE9457	022103-9	67
PE9086	5219-9	61	PE9220	2701-9	72	PE9324	5909B-1	72	PE9458	021909-9	—
PE9088	293132-7	—	PE9221	2702-9	72	PE9325	3.5908*	—	PE9459	021908-9	67
PE9089	4251A-7	—	PE9222	2918-7	71	PE9326	3.5909*	—	PE9460	022909-9	—
PE9090	4250A-7	—	PE9223	2917-7	71	PE9327	3908P-9	—	PE9461	022908-9	—
PE9091	4006A-7	64	PE9226	4574-1-3	70	PE9330	093158-A-9	—	PE9473	3044-1	72
PE9097	4203A-7	—	PE9228	8811*	51	PE9331	093158-B-9	—	PE9475	3046-1	72
PE9098	4204A-7	—	PE9229	2524-*7	70	PE9332	093158A-C*	—	PE9478	3049-1	72
PE9099	4004A-7	64	PE9230	2524-*8	70	PE9334	7269-9	27	PE9485	3119-9	21
PE9100	4219-*	64	PE9231	2524F-*7	69	PE9351	7911-9	71	PE9486	3300-9	72
PE9101	5088-7	—	PE9232	2524F-*8	—	PE9352	7905-9	71	PE9489	3079-9	68
PE9102	5087-7	—	PE9233	2524-*5	70	PE9353	7912-9	71	PE9490	3914-9	68
PE9103	3216-9	21	PE9234	2524-*6	70	PE9354	7906-9	71	PE9493	3103-9	69
PE9104	3081A-*	—	PE9235	2524F-*5	—	PE9355	7902-9	72	PE9494	3107-7	69
PE9105	3099A*	—	PE9236	2524F-*6	—	PE9356	7901-9	72	PE9495	3102-7	69
PE9107	5087-7	—	PE9240	2525-*3	70	PE9357	7268-9	27	PE9497	3099*	68
PE9108	2525-1-1	70	PE9241	2525-*4	70	PE9358	7266-9	27	PE9498	3081*	68
PE9115	8134-7	35	PE9242	8153-7	35	PE9361	2219-75*	57	PE9499	3914-9	68
PE9116	6234-7	38	PE9243	6253-7	38	PE9362	2217-75*	57	PE9501	5711-9	—
PE9117	8137-7	35	PE9244	8741*	—	PE9363	2209A-*1A-75	58	PE9502	5712-9	—
PE9118	6237-7	38	PE9246	3086-9	21	PE9364	2218-75*	57	PE9503	5713-9	—
PE9119	8001-7	—	PE9247	3163-9	21	PE9367	2145-75*	57	PE9504	5714-9	—
PE9120	6216-1	—	PE9248	6820-*	52	PE9379	3162-9	—	PE9505	3218X-9	—
PE9121	8143-7	35	PE9250	7910-9	71	PE9380	3125-9	21	PE9506	3216X-9	—
PE9122	6243-7	38	PE9251	3032*	72	PE9386	015200-7	—	PE9507	3217X-9	—
PE9127	5202A*	—	PE9257	5917-7	—	PE9387	015201-7	—	PE9508	3209XA-9	—
PE9130	4252A-7	—	PE9258	5918-7	—	PE9396	5205-75*	72	PE9509	014909-9	—
PE9131	4259A*	—	PE9259	3915-9	69	PE9397	5208-75*	72	PE9510	014908-9	—
PE9132	2524-*3	70	PE9260	3916-9	69	PE9399	3313-9	68	PE9515	5000-9	61
PE9135	2524-*4	70	PE9261	595024-7	—	PE9403	0006SC-7	—	PE9535	014670-4	—
PE9136	2524F-7-3	69	PE9262	3912-9	21	PE9404	0004SC-7	—	PE9540	595024-7	—
PE9137	2524F-*4	—	PE9263	4253*	—	PE9405	094319-7	—	PE9546	3216Q-9	21
PE9138	2524-*1	70	PE9269	2216-7	—	PE9409	014653-4	66	PE9547	5003Q-9	—
PE9139	2524-*2	70	PE9270	4003A*	—	PE9418	3085-9	21	PE9555	014218-4	66
PE9140	2524F-*1	—	PE9273	3913*	—	PE9426	5003-9	61	PE9582	5529-*7-75	70
PE9141	2524F-*2	—	PE9275	3907A*	—	PE9427	5006-9	61	PE9583	5556-*7-75	70
PE9142	3034-9	69	PE9276	3084T*	—	PE9428	5004-9	61	PE9584	5529-*8-75	70
PE9143	3033-9	69	PE9281	6004*	—	PE9429	5002-9	61	PE9585	5556-*8-75	70
PE9144	3038-9	69	PE9282	6003*	70	PE9430	3077-9	68	PE9586	5529-*5-75	70
PE9145	3037-9	69	PE9283	6002*	70	PE9431	3080-9	68	PE9587	5556-*5-75	70
PE9146	3036-9	69	PE9284	6001*	70	PE9432	3098-9	68	PE9588	5529-*6-75	70
PE9147	3035-9	69	PE9286	024218-7	—	PE9433	3079-9	68	PE9589	5556-*6-75	70
PE9148	3040-9	69	PE9287	4209A*	64	PE9434	3081-9	68	PE9608	6234-75-7	—
PE9149	3039-9	69	PE9289	4086A*	—	PE9435	3300-9	72	PE9609	6237-75-7	—
PE9173	5002A-7	61	PE9301	011229-7	—	PE9436	022218-9	—	PE9611	6243-75-7	—
PE9178	5670*	72	PE9302	6228*	38	PE9437	022216-9	—	PE9620	3209A-9	21
PE9179	5671-4	72	PE9304	8128-7	35	PE9438	022217-9	—	PE9622	4004-75-7	—

<http://www.coaxicom.com/pasternack.html> for full cross reference

AMPHENOL TO COAXICOM CROSS REFERENCE



The cross reference shown is, in most cases, equal in performance, assembly and dimensions. Most, but not all Amphenol parts with a passivated finish have an SF suffix. Coaxicom suffixes are -1 for gold, -7 for nickel, and -9 for passivated stainless steel.

AMPHENOL	COAXICOM	PG	AMPHENOL	COAXICOM	PG	AMPHENOL	COAXICOM	PG	AMPHENOL	COAXICOM	PG
131-91028	3908-9	72	27-844	8323-24-1	33	901-274	3085-1	21	901-9204-3CC	3204-3CC-1	—
131-91038	3909-9	72	27-845	8324-24-1	33	901-275	3119-1	21	901-9204-3CC	3919CC-28-1	13
27-102	8124-23-1	33	27-846	8362-24-1	33	901-280	3084-9	72	901-9204-CC	3204CC-1	11
27-103	6224-24-1	36	27-849	6422-24-1	36	901-288	3082-1	—	901-9206-1	3206-1-1	5
27-104	8123-23-1	33	901-101	3090-1-1	7	901-291	3610-1-1	9	901-9206-2	3206-2-1	5
27-105	8122-24-1	33	901-102	3091-2-1	8	901-302	3217-1	21	901-9207-1	3207-1-1	4
27-106	8123-24-1	33	901-103	3903-22/27-1	—	901-3334	3903-22-1	—	901-9208-A	3208A-1	21
27-107	8122-23-1	33	901-103-11	3903-22-1	—	901-3335	3903-24-1	—	901-9209-A	3209A-1	21
27-11	8143-1	35	901-103-51	3903-22-1	—	901-3340	3093-1	—	901-9210-1	3210-1-1	6
27-152	6750-1	52	901-104	3917F-22-1	—	901-3341	3905-3-1	8	901-9210-2	3210-2-1	6
27-167	6429-24-1	37	901-105	3933-1A-1	5	901-339	3183-3-1	4	901-9211	3211-1	13
27-168	6424-24-1	36	901-109	3902-1	—	901-390-1	3183-4-1	—	901-9211-1A	3221-1A-1	4
27-175	6263-1	37	901-110	3091-2-1	8	901-508	3993-1	74	901-9211-2A	3221-2A-1	4
27-176	6426-24-1	36	901-116	3212-1	13	901-509	3993-2	74	901-9212-8221A	3157-1	—
27-178	9830-1	39	901-117	3118-1	14	901-510	3993-3	74	901-9214	3214-1	9
27-179	6426-24-1	36	901-118	3218-1	21	901-570	3234-1	—	901-9214CC	3214-CC-1	9
27-30	6223-23-1	36	901-119	3217-1	21	901-6205	3302-4	—	901-9215	3215-1	11
27-31	6222-23-1	36	901-122	3905-22-1	—	901-9000	3000-1	11	901-9215-3	3215-3-1	12
27-32	6224-23-1	36	901-128	3903-24-1	—	901-9000-CC	3000-CC-1	11	901-9215-3CC	3215-3CC-1	12
27-33	6226-23-1	36	901-129	3917F-24-1	—	901-9000-CCSF	3000-CC-9	11	901-9215SF	3215-9	11
27-34	8123-23-1	33	901-130	3911A-1-1	7	901-9011	3081-9	68	901-9216	3216-1	21
27-35	8122-23-1	33	901-131-1	3203-3-1	—	901-9033	3033-1	69	901-9217	3217-1	21
27-36	8124-23-1	33	901-131-2	3203-1-1	—	901-9034	3034-1	69	901-9218	3218-1	21
27-37	8126-23-1	33	901-131-3	3203-4-1	—	901-9035	3035-1	69	901-9219-A	3219A-1	21
27-5	6243-1	38	901-132-1	3213-3-1	—	901-9036	3036-1	69	901-9221-1A	3221-1A-1	4
27-5040	6223-30-1	36	901-132-2	3213-1-1	—	901-9037	3037-1	69	901-9221-2A	3221-2A-1	4
27-5041	6222-30-1	36	901-132-3	3213-4-1	—	901-9038	3038-1	69	901-9224-3	3224-3	15
27-5042	6226-30-1	36	901-139	3917-4-1	6	901-9039	3039-1	69	901-9242-1A	3242-1A-1	—
27-5043	6262-30-1	36	901-140	3911A-3-1	7	901-9040	3040-1	69	901-9242-8227A	3143-1	—
27-5044	6224-30-1	36	901-143	3114-1	18	901-9041	3041-1	—	901-9244-1	3244-8-1	13
27-5045	8123-30-1	33	901-144	3115-1	18	901-9042	3042-1	—	901-9501-1	3089-1-1	7
27-5046	8122-30-1	33	901-150	3146-3-1	8	901-9043	3137-1	—	901-9501-3	3089-3-1	7
27-5047	8126-30-1	33	901-150-11	3146-3-1	8	901-9045	3045-1	—	901-9511-1	3089-1-1	7
27-5048	8162-30-1	33	901-150-12	3146-3-1	8	901-9085	3085-1	21	901-9511-12SF	3601-29-9	—
27-5050	6223-31-1	36	901-152	3146-1-1	8	901-9116-SF	3116-9	15	901-9511-3	3089-3-1	7
27-5051	6222-31-1	36	901-153	3146-2-1	8	901-9138	3138-1	—	901-9511-3SF	3089-3-9	7
27-5052	6226-31-1	36	901-166	3102-7	69	901-9139	3139-1	—	901-9521-1	3091-1-1	8
27-5053	6262-31-1	36	901-172	3911-1	—	901-9140	3140-1	—	901-9521-3	3090-3-1	7
27-5054	6224-31-1	36	901-174	3917-23-1	—	901-9172	3108-9	69	901-9531-1	3090-1-1	7
27-5055	8123-31-1	33	901-183	3183-1-1	4	901-9173	3108F-9	—	901-9531-12	3090C-29-1	—
27-5056	8122-31-1	33	901-191	3209A-1	21	901-9183-1	3183-1-1	4	901-9531-1SF	3090-22A-9	—
27-5057	8126-31-1	33	901-192	3601-4-1	7	901-9201-1A	3201-1A-1	4	901-9531-3	3090-3-1	7
27-5058	8162-31-1	33	901-196-1	3214-1	9	901-9201-2A	3201-2A-1	4	901-9531-4	3090-4A-1	—
27-5059	8124-31-1	33	901-196-2	3215-CC-1	—	901-9202-1A	3202-1A-1	5	901-9531-5	3090-5-1	7
27-70	8728-1	51	901-197-1	3215-3-1	12	901-9202-2A	3202-2A-1	5	901-9601-1	3601-1-1	7
27-800	8130-1	34	901-197-2	3215-3CC-1	12	901-9204	3204-1	11	901-9601-2	3601-2-1	7
27-828	6753-25-1	52	901-206	3220A-1	16	901-9204-1	3919-12-1	13	901-9601-3	3601-3-1	7
27-834	6756-25-1	52	901-213	3244-8-1	13	901-9204-1	3204-1-1	—	901-9601-4	3601-4-1	7
27-835	8723-25-1	51	901-215-1	3244-3-1	12	901-9204-1CC	3919CC-12-1	13	901-9601-5	3601-5-1	7
27-836	8736-25-1	51	901-215-2	3244-3CC-1	12	901-9204-1CC	3204-1CC-1	11	901-9602-1	3602-1-1	8
27-837	6743-25-1	52	901-233	3156-1	—	901-9204-2	3204-2-1	—	901-9602-2	3602-2-1	8
27-838	6754-25-1	52	901-256	3092-1	—	901-9204-2	3919-18-1	13	901-9602-3	3602-3-1	8
27-839	8734-25-1	51	901-256-11	3905-3-1	8	901-9204-2CC	3919CC-18-1	13	901-9602-5	3602-5-1	8
27-841	6423-24-1	36	901-257	3095-1	8	901-9204-2CC	3204-2CC-1	—	901-9610-1	3610-1-1	9
27-842	6424-24-1	36	901-258	3019-2-1	—	901-9204-3	3919-28-1	13	901-9610-12SF	3610-29-9	9
27-843	6426-24-1	36	901-268	3082-9	—	901-9204-3	3204-3-1	—	901-9610-1SF	3610-1-9	9

<http://www.coaxicom.com/amphenol.html>

AMPHENOL	COAXICOM	PG	AMPHENOL	COAXICOM	PG	AMPHENOL	COAXICOM	PG	AMPHENOL	COAXICOM	PG
901-9610-2	3610-2-1	9	901-B5602-1361	3090-1-1	7	903-524P-71P	9841-7-75	40	941-B0001-2378	7010-1	—
901-9610-3	3610-3-1	9	901-B5602-2078	3090-3-1	7	903-535P-71A	6426-24-1-75	36	941-B0001-2379	7012-1	27
901-9610-3SF	3610-3-9	9	901-B5701-1963	3202-2A-1	5	903-536P-71S	6423-24-7-75	36	941-B0001-2380	7261-1	—
901-9610-5	3610-5-1	9	901-B5801-1195	3134-1	5	908-21100	1M230EM-1	31	941-B0001-2381	7262-1	27
901-970-1	3235-1	—	901-B5801-1964	3135-1	5	908-21103	1M230-1	31	941-B0001-2382	7006-1	—
901-970-100	3160-1	—	901-B5801-344	3146-3-1	8	908-22100	1M246EM-1	31	941-B0001-2383	7008-1	25
901-970-101	3161-1	—	901-B5901-1194	3210-3-1	6	908-22101	1M230-1	31	941-B0001-2384	7009-1	25
901-970-2	3235-1	—	901-B5901-1194	3202-3A-1	5	908-24100	1M231-1	31	941-B0001-2390	7013-1	—
901-971-1	3136-1	4	901-B5901-2416	3147-1	6,19	908-41200	1M422-23-1	31	941-B0001-2393	7015-9	—
901-971-100	3158-1	—	901-B5901-337	3088-3-1	9	908-41300	1M422-24A-1	31	941-B0001-2394	7017-1	—
901-971-101	3159-1	—	901-B5901-339	3088-1-1	9	908-41400	1M222-31-1	30	941-B0001-2398	7115-1	27
901-972-1	3301-1	—	901-B5901-356	3210-2-1	6	908-41500	1M422-29-1	31	941-B0001-2399	7022-1	—
901-972-2	3301-2	—	901-B5902-1008	3094-1	—	908-41600	1M222-42A-1	30	941-B0001-2400	7023-1	—
901-972-3	3301-3	—	901-B5905-179	3210-1-9	6	908-42300	1M423-24A-1	31	941-B0001-2401	7267-1	27
901-972-4	3301-4	—	901-B6001-180	3215-3CC-1	12	908-43200	1M427-24A-1	31	941-B0001-2402	7268-1	27
901-9723-10	3183P-3-1	4	901-B6005-189	3121-9	12	908-43300	1M427-24A-1	31	941-B0001-2403	7029-1	—
901-B0001-2398	7062-1	—	901-B6005-401	3142-1	19	908-43400	1M227-31-1	30	941-B0001-2404	7269-1	27
901-B0001-2417	3148-1	18	901-B6010-389	3244-3CC-9	12	908-43500	1M427-29-1	31	941-B0001-2406	7251-9	—
901-B0001-2419	3150-9	14	901-B6011-389	3130-1	19	908-43600	1M227-42A-1	30	941-B0001-2407	7252-2-1	23
901-B0001-2469	3309-1	20	901-B6011-391	3250CC-12-1	13	919-101P-51S1X	1422-24A-1	29	941-B0001-2408	7007-1	—
901-B0005-2418	3151-9	15	901-B6013-391	3250CC-18-1	13	919-101P-51SX	1422-24A-7	29	941-B0001-2410	7267-1	27
901-B0005-506	3117-CC-1	9	901-B6015-391	3250CC-28-1	13	919-102P-51AX	1227-31-1	29	941-B0002-2372	7551-2-9	24
901-B0005-506	3117-1	9	901-B6015-393	3131-1	19	919-103P-51AX	1227-30-1	29	941-B0002-2373	7252-2-9	23
901-B0005-776	3144-3CC-1	10	901-B6021-189	3215-5CC-1	12	919-104P-51A1X	1426-24A-7	29	941-B0002-2374	7210-2-9	—
901-B0007-417	3116-9	15	901-B6029-394	3919CC-12-1	13	919-104P-51AX	1426-24A-1	29	941-B0002-2378	7010-9	—
901-B0012-776	3122-1	10	901-B6031-394	3919CC-18-1	13	919-107J-51S1X	1423-24A-7	29	941-B0002-2379	7012-9	27
901-B2501-1074	3086-1	21	901-B6033-394	3919CC-28-1	13	919-107J-51SX	1423-24A-1	29	941-B0002-2380	7261-9	—
901-B2501-1075	3087-1	21	901-B6034-103	3124-9	11	919-109J-51PX	1246-1	29	941-B0002-2381	7262-9	27
901-B2501-1143	3163-9	21	901-B6036-103	3123-1	11	919-114J-51SX	1223-31-1	29	941-B0002-2382	7006-9	—
901-B2501-135	3145-1	21	903-284P-52S	8324-24-1	33	919-118J-51P	1246TM-1	30	941-B0002-2383	7008-9	25
901-B2501-1742	3300-9	72	903-284P-52S1	8324-24-7	33	919-119J-51AX	1263-1	29	941-B0002-2384	7009-9	25
901-B2501-2223	3132-1	21	903-285P-51S	6426-24-1	36	919-120P-51SX	1222-31-1	29	941-B0002-2390	7013-1-9	26
901-B2501-2430	3312-1	—	903-287P-51S	6423-23-1	36	919-121P-51S1X	1422-23-1	29	941-B0002-2394	7017-9	—
901-B2501-2431	3313-1	—	903-288P-52A	8326-24-1	33	919-121P-51SX	1422-23-7	29	941-B0002-2397	7020-9	—
901-B2501-2436	3312-9	68	903-291P-51A	6426-23-1	36	919-122P-51AX	1426-23-7	29	941-B0002-2398	7115-9	27
901-B2501-2437	3100-9	68	903-297J-51S	6224-24-1	36	919-128J-51SX	1429-24A-1	29	941-B0002-2400	7023-9	—
901-B2501-316	3098-9	68	903-305J-51R	6225-1	36	919-129J-51SX	1429-29-1	29	941-B0002-2401	7027-9	—
901-B2501-317	3079-9	68	903-362P-52A1	8326-29-1	33	919-131J-51SX	1423-23-1	29	941-B0002-2402	7028-9	—
901-B2501-318	3107-1	69	903-362P-52A1	8326-24-7	33	919-132J-71P	1246TM-1-75	—	941-B0002-2403	7029-9	—
901-B2501-510	3077-9	68	903-367P-51A	6426-24-1	36	919-136P-71A2X	1426-24D-1-75	29	941-B0002-2404	7269-9	27
901-B2501-511	3080-9	68	903-368P-51A	6426-23-1	36	919-136P-71AX	1426-24B-1-75	29	941-B0002-2406	7000-1	23
901-B2501-514	3075-9	68	903-369P-51A	6426-29-1	36	919-137P-71SX	1422-24B-1-75	29	941-B0002-2410	7267-9	27
901-B2501-515	3078-9	68	903-370P-51S	6423-24-7	36	919-137P-71SX2	1422-24D-1-75	29	941-B0002-2411	7268-9	27
901-B2501-516	3083-9	68	903-371P-51S	6423-23-1	36	93-284P-52S1	8324-24-7	33	941-B0003-2242	7003-2	—
901-B2501-517	3076-9	68	903-373J-51P	6231-1	37	941-B0001-1925	7019-9	—	941-B0003-2254	7026-9	—
901-B2501-519	3101-9	69	903-375J-53P	6230B-1	37	941-B0001-1926	7011-1	25	941-B0003-2375	7552-3-1	24
901-B2501-520	3102-9	69	903-378J-52A1	8131-7	34	941-B0001-2010	7090C-3-1	24	941-B0003-2382	7006-CC-1	—
901-B2501-521	3103-9	69	903-406J-51R	6240-1	36	941-B0001-2041	7551-5-9	24	941-B0003-2383	7008-CC-1	25
901-B2501-621	3103-1	69	903-407J-51R	6235-1	36	941-B0001-2242	7003-1	—	941-B0003-2384	7009-CC-1	25
901-B2501-917	3079-1	—	903-408J-52R	8140-1	33	941-B0001-2246	7256-2-1	23	941-B0003-2390	7013-2-1	26
901-B2501-991	3162-9	—	903-411J-51DS	6424-29-1	36	941-B0001-2248	7215-1	—	941-B0003-2394	7017-2-1	—
901-B2502-512	3717-9	—	903-415J-51P	6230-1	37	941-B0001-2250	7274-1	—	941-B0003-2400	7024-1	—
901-B2502-513	3218-9	21	903-419J-52A	8131B-7	34	941-B0001-2252	7016-1	—	941-B0003-2406	7000-2-9	—
901-B2502-796	3208A-9	21	903-420J-52P	8130-1	34	941-B0001-2253	7018-9	—	941-B0003-2407	7001-2-9	—
901-B2504-317	3099-9	68	903-421J-52P	8130B-1	34	941-B0001-2254	7200-9	—	941-B0003-2408	7007-CC-1	—
901-B2505-493	3113-1	74	903-422J-51A	6427-24-1	36	941-B0001-2256	7259-9	27	941-B0004-2382	7006-CC-9	—
901-B2506-493	3230-1	74	903-429P-51A	6426-24-1	36	941-B0001-2372	7251-2-1	23	941-B0004-2383	7008-CC-9	25
901-B2509-493	3317-1	—	903-496J-51DS	6230-7	37	941-B0001-2373	7252-2-1	23	941-B0004-2384	7009-CC-9	25
901-B5501-1842	3201-5-9	5	903-512J-71P	6230-1-75	—	941-B0001-2374	7260-2-1	24	941-B0004-2390	7013-2-9	26
901-B5502-2098	3133-1	4	903-516P-71S	6425-50-7-75	—	941-B0001-2375	7552-5-1	24	941-B0004-2394	7017-2-9	—
901-B5601-2083	3090-5-9	7	903-517P-71A	6426-50-7-75	—	941-B0001-2376	7004-5-9	24	941-B0004-2400	7024-9	—
901-B5601-2178	3090-4A-9	—	903-519J-71P	6231-1-75	—	941-B0001-2377	7005-1	—	941-B0004-2406	7000-2-9	—
									941-B0004-2408	7007-CC-9	—

<http://www.coaxicom.com/amphenol.html>

TYCO//M/A-COM//OMNI SPECTRA (OSM) TO COAXICOM CROSS REFERENCE



The parts shown in the cross references are functional equivalents, and in most cases dimensionally equal. Most Tyco etc. stainless steel parts are shown with a "00" suffix (gold plating). A "02 " suffix indicates a passivated finish. Replacing the "00" with "02" on a Tyco etc. part will change the finish from gold to passivated. For Coaxicom, a "1" suffix indicates gold, while a "9" suffix indicates a passivated finish. For brass connectors, Tyco etc. uses an "09" suffix for gold plated and "10" for nickel plated. The Coaxicom suffix for nickel plating is -7.

OMNI	COAXICOM	PG	OMNI	COAXICOM	PG	OMNI	COAXICOM	PG	OMNI	COAXICOM	PG
1001-5004-00	7257-2-1	—	1063-0000-00	7022-1	—	2002-7885-00	3202A-2A-1	5	2032-5010-00	3602-4A-1	—
1001-6113-00	7900M-1	73	1066-1322-00	7253-1-1	26	2003-6110-00	3900X-1	—	2032-5021-00	3602-2-1	8
1001-6115-00	7900M-C-1	—	1068-1322-00	7273-1-1	—	2004-7141-00	3905-22-1	—	2032-5026-00	3605-5-1	—
1001-7985-00	7251-2-1	23	1080-0000-00	7267-1	27	2004-7188-00	3905-3-1	8	2032-5056-00	3602-5-1	8
1002-6113-00	7900F-1	73	1081-0000-00	7268-1	27	2004-7195-00	3905-25B-1	—	2034-5004-00	3610-1-1	9
1002-6115-00	7900F-C-1	—	1081-2700-00	7902-9	72	2004-7613-00	3210C-5-1	—	2034-5005-00	3610-3-1	9
1002-7970-00	7252-3-1	—	1082-0000-00	7266-1	27	2004-7615-00	3210D-5-1	—	2034-5006-00	3610-4-1	9
1002-7985-00	7252-2-1	23	1082-2700-00	7901-1	—	2004-7750-00	3210B-5-1	—	2034-5007-00	3088-1-1	9
1004-7985-00	7260-2-1	24	1084-0000-00	7259-1	27	2004-7841-00	3928-1-1	—	2034-5008-02	3088-3-1	9
1006-7985-00	7256-2-1	23	1088-0000-00	7269-1	27	2004-7885-00	3928-2A-1	6	2034-5023-00	3610-2-1	9
1007-7985-00	7271-2-1	23	1401-7970-00	7000-42D-1	—	2004-7941-00	3210-1-1	6	2034-5031-00	3610-5-1	9
1020-1310-00	7023-1	—	1401-7985-00	7000-1-1	23	2004-7953-00	3210-101-1	—	2036-5003-00	3636-1A-1	—
1020-1311-00	7024-1	—	1402-7970-00	7001-2-1	—	2004-7985-00	3210-2-1	6	2036-5003-00	3146-1-1	8
1021-1310-00	7280-1	—	1402-7985-00	7001-2-1	—	2006-5006-00	3236-1A-1	—	2036-5004-00	3636-3A-1	—
1021-1311-00	7026-1	—	1451-1200-00	7007-1	—	2006-5006-00	3206-1-1	5	2036-5004-00	3146-3-1	8
1031-5001-00	7551-5-1	24	1451-1201-00	7007-CC-1	—	2006-5010-00	3206-2-1	5	2036-5005-00	3636-4B-1	—
1031-5002-00	7551-3-1	—	1452-1200-00	7006-1	—	2006-5012-00	3206-2-1	5	2036-5014-00	3636-2A-1	—
1031-7196-00	7003-5-1	24	1452-1201-00	7006-CC-1	—	2006-5013-00	3246-1-1	5	2036-5014-00	3146-2-1	8
1032-5001-00	7552-5-1	24	1480-0000-00	7267-1	27	2006-5084-00	3206-2-1	5	2036-5016-00	3636-5-1	—
1032-5002-00	7552-3-1	24	1481-0000-00	7268-1	27	2006-7141-001	3206-1-1	5	2037-5005-00	3090-1-1	7
1032-7188-00	7004-3-1	24	1482-0000-00	7266-1	27	2006-7188-00	3929-3-1	—	2037-5006-00	3090-3-1	7
1032-7196-00	7004-5-1	24	2001-5003-00	3207-1-1	4	2006-7195-00	3206-4-1	—	2037-5007-00	3090-1-1	7
1034-7188-00	7005-3-1	25	2001-5009-00	3183-3-1	4	2006-7941-00	3206-1-1	5	2037-5007-00	3090C-1-1	—
1034-7196-00	7005-5-1	25	2001-5025-00	3183-1-1	4	2006-7941-00	3206-1-1	5	2037-5008-00	3090-3-1	7
1037-5001-00	7571-1-1	—	2001-5031-00	3201-1A-1	4	2007-5054-00	3221-1A-1	4	2037-5008-00	3090C-3-1	—
1037-7188-00	7090C-3-1	24	2001-5032-00	3201-2A-1	4	2007-5055-00	3221-2A-1	4	2037-5009-00	3090-4A-1	—
1037-7196-00	7090C-5-1	24	2001-5190-02	3993-2	74	2007-7141-00	3911A-1-1	7	2037-5056-00	3090-2-1	7
1051-0000-00	7010-1	25	2001-5231-02	3993-2	74	2007-7188-00	3911A-3-1	7	2037-5056-00	3090C-2-1	—
1051-1200-00	7264-1	26	2001-5509-02	3207-1-9	4	2007-7188-02	3911-24-9	—	2037-5100-00	3090-5-1	7
1051-1201-00	7264-CC-1	26	2001-6110-02	3900-9	73	2007-7195-00	3911A-4-1	7	2041-5031-00	3610-5-1	9
1051-3100-00	7015-1	—	2001-6112-00	3900-1	73	2007-7941-00	3221-1A-1	—	2046-6020-00	3985-1	—
1052-0000-00	7265-1	25	2001-6113-02	3900-9	73	2007-7985-00	3221-2A-1	—	2051-0000-00	3111-1	19
1052-1131-00	7013-1-1	26	2001-6115-00	3900-C-1	—	2020-1312-02	3994F-C-9	—	2051-1200-00	3214-1	9
1052-1132-00	7013-2-1	26	2001-6500-02	3900-9	73	2020-1314-02	3994F-9	—	2051-1201-00	3214-CC-1	9
1052-1133-00	7013-3-1	26	2001-7141-00	3917-1-1	6	2021-1310-00	3230-1	74	2051-1350-00	3112-1-1	—
1052-1200-00	7254-1	26	2001-7188-00	3917-3-1	6	2021-1311-00	3113-1	74	2051-1351-00	3117-1	9
1052-1201-00	7254-CC-1	26	2001-7195-00	3917-4-1	6	2021-1312-02	3994M-C-9	—	2051-1352-00	3117-CC-1	9
1052-1300-00	7011-1	25	2001-7750-00	3201-5-1	5	2021-1314-02	3994M-9	—	2051-1600-02	3922CC-12-9	10
1052-1302-00	7009-1	25	2001-7752-00	3201-5A-1	—	2021-6100-02	3900-9	—	2051-1602-02	3922-18-9	10
1052-1303-00	7009-CC-1	25	2001-7841-00	3933-1A-1	5	2031-5002-00	3089-1-1	7	2051-1604-02	3922CC-28-9	10
1052-3100-00	7016-1	—	2001-7843-00	3933-1B-1	—	2031-5003-00	3089-3-1	7	2051-1606-02	3922CC-36-9	10
1052-3121-00	7017-1-1	—	2001-7885-00	3933-2A-1	5	2031-5005-00	3089-1-1	7	2051-1608-02	3122-9	10
1052-3122-00	7017-2-1	—	2001-7941-00	3183-1-1	4	2031-5006-00	3089-3-1	7	2051-1610-00	3923-1CC-12-1	—
1052-3123-00	7017-3-1	—	2002-1314-00	3725-1	—	2031-5011-00	3601-1-1	7	2051-1612-00	3923-1CC-18-1	—
1052-5004-00	7008-1	25	2002-5015-00	3202-1A-1	4	2031-5012-00	3601-3-1	7	2051-1614-00	3923-1CC-28-1	—
1052-5005-00	7008-CC-1	25	2002-5016-00	3202-2A-1	5	2031-5013-00	3601-4-1	7	2051-1616-00	3923-1CC-36-1	—
1052-5013-00	7014-1	—	2002-6110-00	3900F-1	73	2031-5036-00	3511-50-1	—	2051-1618-00	3144-3CC-1	10
1054-5005-00	7274-1	—	2002-6114-00	3900F-C-1	—	2031-5055-00	3091-2-1	8	2051-1620-02	3924A-9	—
1056-0000-00	7012-1	27	2002-6116-00	3724-1	—	2031-5056-00	3601-2-1	7	2051-1622-02	3924C-9	—
1056-1100-00	7261-1	—	2002-7141-00	3917F-27-1	—	2031-5102-00	3601-5-1	7	2051-1624-02	3924E-9	—
1056-3100-00	7018-1	—	2002-7188-00	3917F-24-1	—	2032-5002-00	3091-1-1	8	2051-1626-02	3924G-9	—
1058-0000-00	7262-1	27	2002-7195-00	3917F-25-1	—	2032-5003-00	3602-3-1	8	2051-1640-02	3925A-9	—
1058-3100-00	7019-1	—	2002-7750-00	3202-5-1	5	2032-5004-00	3091-3-1	8	2051-1642-02	3925C-9	—
1058-5014-00	7020-1	—	2002-7752-00	3201-5A-1	—	2032-5007-00	3602-1-1	8	2051-1644-02	3925E-9	—
1062-0000-00	7021-1	—									

<http://www.coaxicom.com/omni.html>

OMNI	COAXICOM	PG	OMNI	COAXICOM	PG	OMNI	COAXICOM	PG	OMNI	COAXICOM	PG
2051-1646-02	3925G-9	—	2052-1624-02	3920E-9	—	2054-1690-00	3225-2-12-1	16	2082-2201-00	3312-1	—
2051-1650-02	3923-2CC-12-9	—	2052-1626-02	3920G-9	—	2054-1691-00	3225-2A-12-1	16	2082-2202-00	3100-1	—
2051-1651-02	3923A-2CC-12-9	—	2052-1628-02	3920I-9	—	2054-1692-00	3225-2-18-1	16	2082-2700-00	3908-9	—
2051-1652-02	3923-2CC-18-9	—	2052-1640-02	3921A-9	—	2054-1693-00	3225-2A-18-1	16	2082-5133-00	3216-1	21
2051-1653-02	3923A-2CC-18-9	—	2052-1642-02	3921C-9	—	2054-1694-00	3225-2-28-1	16	2082-5809-02	3993-1	74
2051-1654-02	3923-2CC-28-9	—	2052-1644-02	3921E-9	—	2054-1695-00	3225-2A-28-1	16	2082-5810-02	3993-1	74
2051-1655-02	3923A-2CC-28-9	—	2052-1646-02	3921G-9	—	2054-1696-00	3225-2-36-1	16	2082-6141-03	3910-3	—
2051-1656-02	3923-2CC-36-9	—	2052-1648-02	3921CC-9	—	2054-1697-00	3225-2A-36-1	16	2082-6142-06	3910-6	—
2051-1657-02	3923A-2CC-36-9	—	2052-1650-00	3250CC-12-1	13	2056-0000-00	3211-1	13	2082-6143-10	3910-10	73
2051-1658-02	3926I-9	—	2052-1652-00	3250CC-18-1	13	2056-3100-00	3721-1	14	2082-6144-20	3910-20	73
2051-1659-02	3926J-9	—	2052-1654-00	3250CC-28-1	13	2056-5006-00	3220-1-1	16	2084-0000-00	3209-A-1	21
2051-1660-02	3932A-9	—	2052-1656-00	3250CC-36-1	13	2056-6200-00	3238-1	—	2084-1100-00	3208-A-1	21
2051-1662-02	3932C-9	—	2052-1658-02	3244-3CC-9	12	2057-5035-00	3235-1	—	2086-0000-00	3119-1	21
2051-1664-02	3932E-9	—	2052-1659-02	3244B-3CC-9	12	2058-0000-00	3118-1	14	2086-1220-02	3913F-9	—
2051-1666-02	3932G-9	—	2052-1688-00	3215HR-5CC-1	—	2058-1121-00	3110BCC-1-1	17	2086-1230-02	3119-9	21
2051-1670-02	3929A-9	—	2052-1700-02	3918-12-9	13	2058-1123-00	3110BCC-3-1	17	2087-1220-02	3913-9	—
2051-1672-02	3929C-9	—	2052-1702-02	3918-18-9	13	2058-1131-00	3110CC-1-1	17	2087-1230-02	3085-9	21
2051-1674-02	3929E-9	—	2052-1706-02	3918-36-9	13	2058-1132-00	3110CC-2-1	17	2088-0000-00	3219-1	—
2051-1676-02	3929G-9	—	2052-1710-02	3919-12-9	13	2058-1133-00	3110CC-3-1	17	2088-1220-02	3912-9	21
2051-1680-02	3930A-9	—	2052-1712-02	3919-18-9	13	2058-3100-00	3143-1	—	2088-5013-00	3219-A-1	21
2051-1682-02	3930C-9	—	2052-1714-02	3919-28-9	13	2058-5027-00	3722-1	—	2089-0000-00	3086-1	21
2051-1684-02	3930E-9	—	2052-1716-02	3919-36-9	13	2058-5029-00	3220-1	16	2091-0000-00	3087-1	21
2051-1686-02	3930G-9	—	2052-1750-02	3250-12-9	13	2058-5126-00	3136-1	4	2098-0294-00	3141-1	—
2051-1690-02	3931A-9	—	2052-1752-02	3250-18-9	13	2058-5219-00	3234-1	—	2098-3250-00	3309-39	20
2051-1692-02	3931C-9	—	2052-1754-02	3250-28-9	13	2058-5328-00	3137A-20-1	20	2098-3251-00	3309-42	20
2051-1694-02	3931E-9	—	2052-1756-02	3250-36-9	13	2058-5329-00	3137A-20-1	20	2098-3347-97	3309-38	20
2051-1696-02	3931G-9	—	2052-3100-00	3720-1	—	2058-5380-00	3137-1	—	2701-7941-00	3207X-1-1	—
2051-3052-00	3310E-18-1	—	2052-3121-00	3138-1	—	2060-0000-00	3126-1	14	2701-7985-00	3201X-2A-1	—
2051-3350-00	3310-12-1	19	2052-3122-00	3139-1	—	2062-0000-00	3115-1	—	2704-7941-00	3210X-1-1	—
2051-3354-00	3311E-12-1	—	2052-3123-00	3140-1	—	2064-0000-00	3114-1	—	2704-7985-00	3210X-2-1	—
2051-3356-00	3311E-18-1	—	2052-3324-00	3130-20-1	19	2066-1321-00	3242-1-8-1	—	2704-7985-00	3210X-1-1	—
2051-3358-00	3310-1	19	2052-3325-00	3130-36-1	19	2066-1322-00	3242-2-8-1	—	3001-6100-00	5900-9	—
2052-0000-00	3215-1	11	2052-3350-02	3130-12-9	19	2066-1323-00	3242-3-8-1	—	3001-7388-10	5461-524-7	—
2052-0434-00	3130-20-1	—	2052-3352-00	3131E-18-9	—	2066-1401-00	3203-1-1	—	3001-7341-10	5461CC-522/27-7	—
2052-1131-00	3127-1	12	2052-3354-00	3130E-12-9	—	2066-1402-00	3203-2-1	—	3001-7388-10	5461CC-524	—
2052-1132-00	3128-1	12	2052-3356-02	3130E-18-9	—	2066-1403-00	3203-3-1	—	3001-7725-02	5401-6-9	—
2052-1133-00	3129-1	12	2052-3358-00	3131-36-1	19	2067-1401-00	3213-3-1	—	3001-7750-02	5401-5-9	—
2052-1200-00	3204-1	11	2052-3359-00	3130-36-1	19	2067-1402-00	3213-1-1	—	3001-7841-00	5016X-30-1	—
2052-1201-00	3204-CC-1	11	2052-3362-00	3131-20-1	19	2067-1403-00	3213-4-1	—	3001-7885-00	5817X-31-1	—
2052-1215-00	3123-1	11	2052-3363-00	3130-20-1	19	2068-1401-00	3223-3-1	—	3001-7941-02	5016X-9	—
2052-1216-00	3124-1	11	2052-5277-00	3244-4A-1	12	2068-1402-00	3223-1-1	—	3001-7985-00	5017X-9	—
2052-1300-00	3244-2-1	11	2052-5636-00	3215-5CC-1	12	2068-1403-00	3223-4-1	—	3002-7141-10	5026-1-7	61
2052-1301-00	3244-1-1	13	2052-5674-00	3244-6-1	11	2068-5156-00	3223-1-1	—	3002-7188-10	5026-3-7	61
2052-1302-00	3244-3-1	12	2052-5675-00	3244-7-1	11	2068-5157-00	3223-3-1	—	3002-7341-10	5026CC-1-7	—
2052-1303-00	3244-3CC-1	12	2053-1220-02	3458-9	17	2068-5158-00	3223-4-1	—	3002-7388-10	5026CC-3-7	—
2052-1350-00	3244-2F-1	11	2053-1221-02	3463-9	17	2070-5009-02	3248-5-9	—	3002-7725-02	5402-6A-9	—
2052-1351-00	3000-1	11	2053-1618-00	3151T	—	2070-5029-02	3248-1A-9	—	3002-7750-02	5402-5A-9	—
2052-1352-00	3000-CC-1	11	2054-0000-00	3224-1	15	2070-5068-02	3248-2-9	—	3002-7941-00	5018X-9	—
2052-1600-02	3918CC-12-1	13	2054-1201-00	3116-1	15	2070-5069-02	3248-4-9	—	3002-7985-00	5402X-2-9	—
2052-1602-02	3918CC-18-1	13	2054-1220-02	3452-9	17	2080-0000-00	3217-1	21	3004-7141-10	5570-522-7	—
2052-1604-00	3918CC-28-1	13	2054-1221-02	3451-9	17	2080-2201-00	3312-1	—	3004-7188-10	5570-524-7	—
2052-1606-00	3918CC-36-1	13	2054-1231-00	3116-1	15	2080-2202-00	3313-1	—	3004-7341-10	5570CC-522-7	—
2052-1608-02	3121-9	12	2054-1610-00	3225-1-12-1	16	2080-2312-02	4084-9	—	3004-7388-10	5570CC-524-7	—
2052-1610-00	3919CC-12-1	13	2054-1611-00	3225-1A-12-1	16	2080-2320-02	4101-9	—	3004-7725-02	5410-6-9	—
2052-1612-00	3919CC-18-1	13	2054-1612-00	3225-1-18-1	16	2080-5055-02	3125-9	21	3004-7750-02	5410-5-9	—
2052-1614-00	3919CC-28-1	13	2054-1613-00	3225-1A-18-1	16	2080-5119-31	3217X8-1	—	3004-7841-00	5021X-30-1	—
2052-1616-00	3919CC-36-1	13	2054-1614-00	3225-1-28-1	16	2080-5153-00	3217X8-1	—	3004-7885-00	5570-431-7	60
2052-1618-02	3215-3CC-9	12	2054-1615-00	3225-1A-28-1	16	2081-0000-00	3218-1	21	3004-7941-00	5570-430-1	60
2052-1620-02	3920A-9	—	2054-1616-00	3225-1-36-1	16	2081-2201-00	3314-1	—	3004-7985-00	5022X-9	60
2052-1622-02	3920C-9	—	2054-1617-00	3225-1A-36-1	16	2081-2700-00	3909-9	—	3006-7141-10	5037-7	—

<http://www.coaxicom.com/omni.html>

**TYCO//M/A-COM//OMNI SPECTRA (OSM) TO COAXICOM
CROSS REFERENCE (cont.)**



OMNI	COAXICOM	PG	OMNI	COAXICOM	PG	OMNI	COAXICOM	PG	OMNI	COAXICOM	PG
3006-7941-00	5406-30-1	—	3134-7358-10	4539-727-7	63	5001-5027-09	8123-23-1	33	5207-5001-09	9826-24-1	39
3006-7985-00	5406-31-1	—	3134-7388-10	4539-724-7	63	5004-5005-09	8124-24-1	33	5207-5002-09	9826-23-1	39
3031-7341-10	5461-722-7	60	3136-7158-10	4539P-727-10	—	5004-5012-09	8124-23-1	33	5210-5002-09	9827-24-1	39
3031-7358-10	5461-727-7	60	3136-7358-10	4539PCC-727-10	—	5007-5008-09	8126-24-1	33	5210-5004-09	9827-23-1	39
3031-7388-10	5461CC-724-7	60	3180-2240-00	3083-9	—	5007-5016-09	8126-23-1	33	5231-5001-09	9883-24-1	39
3032-7141-10	5091-1-7	—	3180-2242-00	3084-9	72	5008-5001-09	8127-24-1	33	5231-5002-09	9883-23-1	39
3032-7158-10	5091-2-7	—	3180-2320-00	4203-9	—	5008-5002-09	8127-23-1	33	5237-5002-09	9886-24-1	39
3032-7188-10	5091-3-7	—	3181-2240-00	3075-9	—	5013-5001-09	8122-24-1	33	5237-5003-09	9886-23-1	39
3032-7341-10	5091CC-1-7	—	3181-2241-00	3078-9	—	5013-5002-09	8122-23-1	33	5256-5002-09	9825-1	—
3032-7358-10	5091CC-2-7	—	3182-2240-00	3075-9	—	5031-5004-09	8322-24-1	33	5257-5008-09	9838-1	40
3032-7388-10	5091CC-3-7	—	3182-2241-00	3076-9	—	5031-5007-09	8323-23-1	33	5258-5010-09	9840-1	39
3034-7141-10	591171FA-22A-7	—	3184-2240-00	3032-9	72	5031-5014-09	8323-24-1	33	5262-5001-09	9830-1	39
3034-7158-10	591171FA-27A7	—	3187-1220-02	4005-9	—	5031-7188-09	8323-24-1	33	5263-5008-09	9841-1	40
3034-7188-10	591171FA-24A-7	—	3188-1220-02	4000-9	64	5031-7196-09	8323-23-1	33	5264-5001-09	9831-1	39
3034-7341-10	5570-722-7	60	3201-7188-10	2541-X24-7	—	5034-5005-09	8324-23-1	33	5265-5003-09	9863-1	40
3034-7358-10	5570-727-7	60	3204-7188-10	2540-524-7	56	5034-5006-09	8324-24-1	33	7081-2301-00	3712-9	—
3034-7388-10	5570-724-7	60	3231-7141-10	2900297-22A-7	—	5037-5009-09	8326-24-1	33	7081-2311-00	3710-9	—
3036-7158-10	5146-2-7	—	3231-7158-10	2900297-27-7	—	5037-5010-09	8326-23-1	33	7082-2300-00	3713-9	—
3036-7341-10	5030CC-22A-7	—	3231-7188-10	2541-724-7	54	5040-3021-09	8327-23-1	33	7082-2310-00	3711-9	—
3036-7341-10	5146-1-7	—	3231-7341-10	2089CC-1-7	—	5040-3200-09	8327-24-1	33	8181-2201-00	7917-9	—
3036-7358-10	5146CC-2-7	—	3231-7358-10	2089CC-2-7	—	5052-0000-09	8111-1	34	8181-2240-00	3915-9	—
3036-7388-10	5146CC-3-7	—	3231-7388-10	2541-724-7	54	5056-5019-09	8125-1	33	8182-2202-00	7918-9	—
3051-1648-10	5144A-3-7	—	3232-7141-10	2091A-1-7	—	5058-0000-09	8140-1	33	8182-2240-00	3916-9	—
3052-1201-10	5014-7	—	3232-7158-10	2091A-2-7	—	5062-5003-09	8130-1	34			
3052-1648-10	5215A-3-7	—	3232-7188-10	2091A-3-7	—	5063-5001-09	8146-1	34			
3066-1442-10	5002F-1/8-7	—	3232-7341-10	2091ACC-1-7	—	5064-5003-09	8131-1	34			
3066-1443-10	5002F-1/4-7	—	3232-7358-10	2091ACC-2-7	—	5065-3200-09	8163-1	34			
3066-1444-10	5002F-3/8-7	—	3232-7388-10	2091ACC-3-7	—	5080-0000-09	8134-1	35			
3067-1442-10	5002M-1/8-7	—	3234-7341-10	2540-722-7	56	5080-2240-00	3035-9	69			
3067-1443-10	5002M-1/4-7	—	3234-7358-10	2540-727-7	56	5081-0000-09	8137-1	35			
3067-1444-10	5002M-3/8-7	—	3234-7388-10	2540-724-7	56	5081-2241-00	3040-9	69			
3080-0000-02	5004-9	61	3280-0000-10	2001-7	—	5082-2240-00	3036-9	69			
3080-2202-00	7906-9	—	3280-2202-00	7904-9	—	5082-2241-00	3039-9	69			
3080-2240-00	3098-9	—	3280-2240-00	3101-9	69	5084-0000-09	8143-1	35			
3080-2242-00	3081-1	—	3281-2201-00	7909-9	—	5104-5003-10	6226-24-7	36			
3080-2302-02	5002-9	61	3281-2221-00	2524-7-2	70	5110-5002-09	6227-24-1	36			
3080-2320-02	5203-9	—	3281-2223-00	2524-1-3	70	5110-5002-10	6227-24-7	36			
3081-2201-00	7911-9	—	3281-2241-00	3103-9	69	5131-5002-09	6423-24-1	36			
3081-2241-00	3080-9	—	3282-2201-00	7910-9	—	5131-5011-09	6423-23-1	36			
3081-2321-02	5202-9	—	3282-2202-00	7903-9	—	5132-5001-09	6422-24-1	36			
3082-2201-00	7912-9	—	3282-2222-10	2524-7-2	70	5132-5003-09	6424-24-1	36			
3082-2202-00	7905-9	—	3282-2224-10	2524-7-3	70	5134-7196-09	6224-23-1	36			
3082-2240-00	3077-9	—	3282-2240-00	3107-9	69	5137-5010-09	6426-24-1	36			
3082-2241-00	3079-9	—	3282-2241-00	3102-9	69	5137-5011-09	6426-23-1	36			
3082-2242-00	3907-9	—	3284-2240-00	3108-9	69	5140-5004-09	6427-24-1	36			
3082-2243-00	3099-9	—	3604-7841-02	5021X-9	60	5140-5005-09	6427-23-1	36			
3082-2320-02	5201-9	—	3604-7843-02	5021M-9	—	5152-0000-09	6111-1-1	37			
3082-2321-02	5204-9	—	3604-7885-02	5022X-9	60	5180-2240-09	3034-1	69			
3084-2240-00	3300-9	72	3652-1201-02	5007-9	—	5181-0000-00	6237-1	38			
3087-1220-02	5005-9	—	3680-2310-02	4249-9	—	5181-2241-00	3038-1	69			
3088-1220-02	5000-9	61	3681-2311-02	4252-9	—	5182-0000-09	6004-7	—			
3088-5002-09	2525-2	70	3682-2310-02	4250-9	—	5182-2240-00	3033-1	69			
3101-7341-10	4547-522-7	63	3682-2311-02	4251-9	—	5182-2241-00	3038-1	69			
3101-7388-10	4547-524-7	63	3682-2312-02	4252-9	—	5184-0000-09	6243-1	38			
3101-7725-00	4451-6-1	—	3752-1201-02	4014-9	—	5201-5004-09	9823-24-1	39			
3101-7750-00	4451-5-1	—	3780-0000-02	4004-9	64	5201-5005-09	9823-23-1	39			
3102-7941-02	4452-1A-9	—	3781-0000-02	4006-9	64	5202-5004-09	9822-24-1	39			
3104-5068-00	4460-1-1	—	3782-0000-02	4003-9	64	5202-5005-09	9822-23-1	39			
3104-7750-02	4460-5-9	—	3784-2240-00	3032X-1	—	5204-5006-09	9824-24-1	39			
3134-7341-10	4539-722-7	63	5001-5015-09	8123-24-1	33	5204-5007-09	9824-23-1	39			

<http://www.coaxicom.com/omni.html>

SEAELECTRO TO COAXICOM CROSS REFERENCE

The cross reference shown is, in most cases, equal in performance, assembly, and dimensions. The Seaelectro parts shown do not indicate plating type, while the COAXICOM parts reflect gold plating. For passivated steel, the COAXICOM suffix changes to -9. For nickel plated brass the suffix is -7.

SEAELECTRO	COAXICOM	PG	SEAELECTRO	COAXICOM	PG	SEAELECTRO	COAXICOM	PG	SEAELECTRO	COAXICOM	PG
50-007-0000	8123-24-1	33	50-077-6801	2525-1-2	70	50-622-5542	3089-3-1C	7	50-645-6002	3244-2-1	11
50-007-3073	4501-1-9	—	50-083-0000	8128-1	35	50-622-5545	3089-1-1C	7	50-646-4504	3111-1	9
50-007-3196	8123-23-1	33	50-084-0000	8129-1	35	50-622-5547	3089-2-1C	7	50-646-4520	3214CC-1	9
50-007-9702	8123-31-1	33	50-085-0000	8136-1	35	50-622-9141	3091-2-1	8	50-646-4521	3214-1	9
50-007-9703	8123-30-1	33	50-107-0000	8723-25-1	51	50-622-9142	3089-1-1	8	50-646-4524	3112-2-1	9
50-008-0000	8122-24-1	33	50-108-0000	8722-25-1	51	50-622-9188	3089-3-1	8	50-646-4540	3117-CC-1	9
50-008-3196	8122-23-1	33	50-110-0000	8724-25-1	51	50-623-5712	3091-3-1	8	50-646-4541	3117-1	9
50-008-9702	8122-31-1	33	50-111-9511	8726-25-1	51	50-623-5714	3091-2-1	8	50-647-0000	3126-1	14
50-008-9703	8122-30-1	33	50-124-0000	8733-25-1	51	50-623-5717	3091-2-1	8	50-647-4504	3224-1	15
50-010-0000	8124-24-1	33	50-125-0000	8732-25-1	51	50-624-5566	3601-3	—	50-648-4504	3150-1	14
50-010-3073	5038-9	—	50-127-0000	8734-25-1	51	50-624-5568	3601-1	—	50-651-0000	3115-1	—
50-010-3196	8124-23-1	33	50-128-9511	8736-25-1	51	50-624-5569	3601-2	—	50-651-9301	3115-1	—
50-010-9702	8124-31-1	33	50-143-0000	8725-1	51	50-624-9141	3601-2-1	7	50-652-0000	3148-1	18
50-010-9703	8124-30-1	33	50-145-0000	8740-1	51	50-624-9142	3601-1-1	7	50-653-0000	3114-1	18
50-011-0000	8126-24-1	33	50-151-0000	8730-1	51	50-624-9188	3601-3-1	7	50-654-0000	3149-1	18
50-011-3196	8126-23-1	33	50-153-0000	8731-1	51	50-625-9141	3602-2-1	8	50-656-2211	3203-3-1	—
50-011-9702	8126-31-1	33	50-164-6800	2524-1-6	70	50-625-9142	3602-1-1	8	50-656-2213	3203-1-1	—
50-011-9703	8126-30-1	33	50-173-6700	5529-1-6	70	50-625-9188	3602-3-1	8	50-656-2215	3203-4-1	—
50-012-0000	8127-24-1	33	50-173-6800	2524-1-6	70	50-627-9141	3610-2-1	9	50-656-9211	3243-3-1	—
50-012-3196	8127-23-1	33	50-173-6900	4574-1-6	70	50-627-9142	3610-1-1	9	50-656-9213	3243-1-1	—
50-012-9702	8127-31-1	33	50-174-6700	5529-1-7	70	50-627-9188	3610-3-1	9	50-656-9215	3243-4-1	—
50-012-9703	8127-30-1	33	50-174-6800	2571-1-7	70	50-628-5666	3090-3	—	50-658-2211	3215-3CC-1	12
50-024-0000	8323-24-1	33	50-174-6900	4574-1-5	70	50-628-5668	3090-1	—	50-658-2213	3224-1-1	—
50-024-3196	8323-23-1	33	50-175-0000	8811-1	51	50-628-5669	3090-2	—	50-658-2215	3223-4-1	—
50-025-0000	8322-24-1	33	50-175-6701	5530-1-5	70	50-628-9141	3090-2-1	7	50-672-0000	3217-1	21
50-025-3196	8322-23-1	33	50-175-6801	2525-1-5	70	50-628-9142	3090-1-1	7	50-672-6303	3033-1	69
50-027-0000	8324-24-1	33	50-175-6901	4533-1-5	70	50-628-9188	3090-3-1	7	50-673-0000	3218-2-1	21
50-027-3196	8324-23-1	33	50-177-6701	5530-1-6	70	50-641-9141	3636-2A-1	—	50-673-6320	3038-1	69
50-028-0000	8326-24-1	33	50-177-6801	2525-1-6	70	50-641-9142	3636-1A-1	—	50-673-6701	3089-1	69
50-028-3196	8326-23-1	33	50-177-6901	4533-1-6	70	50-641-9188	3636-3A-1	—	50-673-6800	3103-1	69
50-030-0000	8327-24-1	33	50-183-0000	8728-1	51	50-642-3188	3636C-3A-1	—	50-673-8300	3103-9	69
50-030-3196	8327-23-1	33	50-185-0000	8741-1	—	50-643-0000	3211-1	13	50-674-0000	3216-1	21
50-043-0000	8125-1	33	50-186-0000	8742-1	—	50-643-4310	3220-1	16	50-674-6302	3034-1	69
50-045-0000	8140-1	33	50-311-3188	8126-24-1	33	50-643-4312	3220-1-1	16	50-674-6303	3037-1	69
50-045-4504	8111-1	34	50-311-3196	8126-23-1	33	50-643-4314	3220A-1-1	16	50-674-6800	3107-1	69
50-045-9340	8111A-1-1	34	50-328-3188	8326-24-1	33	50-643-5005	3212-1	13	50-675-0000	3209-A-1	21
50-046-0000	8138-1	33	50-328-3196	8326-23-1	33	50-643-6101	3212-1	13	50-678-0000	3219-A-1	21
50-047-0000	8133-1	33	50-604-5812	3146-3-1	8	50-645-0000	3118-1	11	50-683-0000	3086-1	21
50-048-0000	8233-1	—	50-604-5814	3146-2-1	8	50-645-4504	3215-1	11	50-685-0000	3087-1	21
50-051-0000	8130-1	34	50-604-5815	3146-1-1	8	50-645-4508	3244-1-1	13	51-007-0000	6223-24-1	36
50-052-0000	8146-1	34	50-604-9702	3236-2A-1	—	50-645-4510	3244-1ACC-1	13	51-007-3196	6223-23-1	36
50-053-0000	8131-1	34	50-604-9703	3236-1A-1	—	50-645-4518	3244-2-1	11	51-008-0000	6222-24-1	36
50-054-0000	8163-1	34	50-607-3141	3601-1-1	7	50-645-4520	3204-CC-1	11	51-008-3196	6222-23-1	36
50-056-2211	8150-1-1	34	50-607-3188	3917-3-1	6	50-645-4521	3204-1	11	51-009-0000	6229-24-1	38
50-056-2213	8150-2-1	34	50-607-3195	3601-1-1	7	50-645-4524	3244-2-1	11	51-009-3196	6229-23-1	38
50-056-2215	8150-3-1	34	50-607-5519	3917-1	6	50-645-4526	3244-2F-1	11	51-010-0000	6224-24-1	36
50-072-0000	8134-1	35	50-607-9702	3183-2A-1	—	50-645-4528	3991A-CC-1	11	51-010-3196	6224-23-1	36
50-072-6201	3035-1	69	50-607-9703	3933-1A-1	5	50-645-4540	3000-CC-1	11	51-012-0000	6227-24-1	36
50-073-0000	8137-1	35	50-608-3141	3917-22-1	—	50-645-4541	3000-1	11	51-012-3196	6227-23-1	36
50-073-6200	3040-1	69	50-608-3188	3917-24-1	—	50-645-4545	3244-6-1	11	51-024-0000	6423-24-1	36
50-073-6700	5529-1-2	70	50-608-9702	3928-2A-1	6	50-645-4547	3123-1-1	—	51-024-3196	6423-23-1	36
50-073-6800	2524-1-2	70	50-610-3141	3905-22-1	—	50-645-4556	3123-1	11	51-025-0000	6422-24-1	36
50-073-6900	4574-1-2	70	50-610-3188	3905-3-1	8	50-645-4557	3124-1	11	51-025-3196	6422-23-1	36
50-074-6200	3039-1	69	50-610-5907	3092-1	—	50-645-4560	3919CC-12-1	13	51-026-0000	6429-24-1	37
50-074-6201	3036-1	69	50-610-5909	3610-1-1	9	50-645-4561	3919CC-18-1	13	51-026-3196	6429-23-1	37
50-074-6700	5529-1-1	70	50-610-5910	3093-1	—	50-645-4562	3919CC-25-1	13	51-027-0000	6424-24-1	36
50-074-6800	2524-1-1	70	50-610-9702	3928-2A-1	6	50-645-4565	3250CC-12-1	13	51-027-3196	6424-23-1	36
50-074-6900	4574-1-1	70	50-610-9703	3928-1A-1	6	50-645-4567	3250CC-28-1	13	51-028-0000	6426-24-1	36
50-075-0000	8143-1	35	50-611-0129	3911-1	—	50-645-4575	3215-3CC-1	12	51-028-3196	6426-23-1	36
50-075-0239	501073-7	—	50-611-3141	3911A-3-1	7	50-645-4576	3215-3-1	12	51-030-0000	6427-24-1	36
50-075-6201	3085P-1	—	50-611-3188	3911A-3-1	7	50-645-4660	3919-12-1	13	51-030-3196	6427-23-1	36
50-075-6701	5530-1-1	70	50-611-5617	3911-1	—	50-645-4661	3919-18-1	13	51-043-0000	6225-1	36
50-075-6801	2525-1-1	70	50-611-5619	3911A-1	7	50-645-4662	3919-28-1	13	51-044-0000	6241-1	37
50-075-6901	4533-1-1	70	50-611-9702	3221-2A-1	4	50-645-4665	3250-12-1	13	51-045-0000	6240-1	36
			50-611-9703	3221-1A-1	4	50-645-4667	3250-28-1	13	51-045-4504	6111-1-1	37

<http://www.coaxicom.com/seaelectro.com>

SEAELECTRO TO COAXICOM CROSS REFERENCE (cont.)



SEAELECTRO	COAXICOM	PG	SEAELECTRO	COAXICOM	PG	SEAELECTRO	COAXICOM	PG	SEAELECTRO	COAXICOM	PG
51-045-9340	6111-2-1	37	51-328-3196	6426-23-1	36	52-030-9040	9887B-22-1	—	55-604-9273	3246-1-1	5
51-046-0000	6238-1	37	51-424-3188	6M423-24-1	42	52-030-9041	9887C-22-1	—	55-607-0109	3183-1-1	4
51-047-0000	6233-1	36	51-424-3196	6M423-23-1	42	52-043-0000	9825-1	—	55-607-0369	3183-1-1	4
51-047-9340	6111R-2-1	—	51-424-3701	6M273-42B-1	42	52-043-4210	9825A-1	—	55-607-2003	3183-1-1	4
51-048-0000	6126-1	37	51-424-3702	6M273-31-1	42	52-043-4220	9825B-1	39	55-607-2203	3207-1-1	4
51-049-0000	6235-1	36	51-427-3188	6M224-24-1	42	52-043-4230	9825C-1	—	55-607-3073	3183-1-1	4
51-051-0000	6230-1	37	51-427-3196	6M424-23-1	42	52-044-0000	9838R-1	—	55-607-3702	3201-2A-1	4
51-052-0000	6246-1	37	51-427-3701	6M224-42B-1	42	52-044-4210	9838RA-1	—	55-607-3703	3183-1-1	4
51-053-0000	6231-1	37	51-427-3702	6M224-31-1	42	52-044-4220	9838RB-1	—	55-607-9073	3183-1-1	4
51-054-0000	6263-1	37	51-428-3188	6M426-24-1	42	52-044-4230	9838RA-1	—	55-607-9172	3201-2A-1	5
51-056-2211	6250-1-1	37	51-428-3196	6M426-23-1	42	52-045-0000	9840-1	39	55-607-9173	3207-1-1	4
51-056-2213	6250-2-1	37	51-428-3701	6M276-42B-1	42	52-045-4210	9840A-1	—	55-608-2002	3202-2A-1	5
51-056-2215	6250-3-1	37	51-428-3702	6M276-31-1	42	52-045-4220	9840B-1	—	55-608-2003	3202-1A-1	5
51-058-2210	6250RC-1-1	—	51-443-0000	6M225T-1	42	52-045-4230	9840C-1	—	55-608-3702	3202-2A-1	5
51-058-2211	6150R-1-1	—	51-445-0000	6M240T-1	42	52-046-0000	9838-1	40	55-608-3703	3202-1A-1	5
51-058-2212	6150RC-2-1	—	51-445-4504	6M111A-1	44	52-046-4210	9838FA-1	—	55-608-9172	3202-2A-1	5
51-058-2213	6150R-2-1	—	51-447-0000	6M223T-1	42	52-046-4220	9838FB-1	—	55-608-9173	3202-2A-1	5
51-058-2214	6150RC-2-1	—	51-451-0000	6M230-1	43	52-046-4230	9838FC-1	—	55-608-9182	3202-1A-1	5
51-058-2215	6150R-3-1	—	51-453-0000	6M231-1	43	52-047-0000	9833-1	40	55-608-9183	3202-1A-1	5
51-072-0000	6234-1	38	51-475-0000	6M243-1	—	52-049-0000	9835-1	40	55-610-3702	3210-2-1	6
51-073-0000	6237-1	38	52-007-0000	9823-24-1	39	52-049-4210	9835A-1	—	55-610-3703	3210-1-1	6
51-073-6700	5529-1-4	70	52-007-3196	9823-23-1	39	52-049-4220	9835B-1	—	55-610-9172	3210-2-1	6
51-073-6800	2524-1-4	70	52-008-0000	9822-24-1	39	52-049-4230	9835C-1	—	55-610-9173	3210-1-1	6
51-073-6900	4574-1-4	70	52-008-3196	9822-23-1	39	52-051-0000	9830-1	39	55-611-3702	3221-2A-1	4
51-074-6700	5529-1-3	70	52-009-0000	9829-24-1	40	52-052-0000	9841-1	40	55-611-3703	3221-1A-1	4
51-074-6800	2524-1-3	70	52-009-3196	9829-23-1	40	52-052-2700	9246-1	—	55-622-9141	3089-1-1	7
51-074-6900	4574-1-3	70	52-009-4210	9829A-24-1	—	52-053-0000	9831D-1	40	55-622-9188	3089-3-1	7
51-075-0000	6243-1	38	52-009-4220	9829B-24-1	—	52-054-0000	9863-1	40	55-623-9141	3091-1-1	8
51-075-6701	5530-3-1	70	52-009-4230	9829C-24-1	—	52-054-2700	9831F-1	—	55-623-9188	3091-3-1	8
51-075-6801	2525-3-1	70	52-010-0000	9824-24-1	39	52-311-3188	9826-24-1	39	55-624-2003	3183-1-1	4
51-075-6901	4533-3-1	70	52-010-3196	9824-23-1	39	52-311-3196	9826-23-1	39	55-624-3073	3183-1-1	4
51-083-0000	6228-1	38	52-010-4210	9824A-24-1	—	52-328-3188	9886-24-1	39	55-624-3703	3183-1-1	4
51-084-0000	6229-1	37	52-010-4220	9824B-24-1	—	52-328-3196	9886-23-1	39	55-624-9073	3183B-1-1	—
51-085-0000	6236-1	38	52-010-4230	9824C-24-1	—	52-424-3188	9M883-24-1	44	55-628-9141	3090-1-1	7
51-107-0000	6743-25-1	52	52-010-9039	9824A-22-1	—	52-424-3196	9M883-23-1	44	55-628-9188	3090-3-1	7
51-108-0000	6742-25-1	52	52-010-9040	9824B-22-1	—	52-424-3701	9M273-42B-1	44	57-007-0000	5461-524-1	60
51-110-0000	6744-25-1	52	52-010-9041	9824C-22-1	—	52-424-3702	9M223-31-1	—	57-007-3072	5401-2-9	—
51-111-9511	6746-25-1	52	52-012-0000	9827-24-1	39	52-428-3188	9M886-23-1	44	57-007-3073	5016X-9	—
51-124-0000	6753-25-1	52	52-012-3196	9827-23-1	39	52-428-3196	9M886-24-1	44	57-007-3196	5461-523-1	60
51-125-0000	6752-25-1	52	52-012-4210	9827A-24-1	—	52-428-3701	9M276-42B-1	44	57-007-3702	5401-2-9	—
51-127-0000	6754-25-1	52	52-012-4220	9827B-24-1	—	52-446-0000	9M838T-1	45	57-007-3703	5401-1-9	—
51-127-9511	6756-25-1	52	52-012-4230	9827C-24-1	—	52-452-0000	9M841-1	46	57-007-9072	5401-2-9	—
51-128-0000	6754-25-1	52	52-012-9039	9827A-22-1	—	52-454-0000	9M863-1	46	57-007-9073	5401-1-9	—
51-128-9511	6756-25-1	52	52-012-9040	9827B-22-1	—	55-013-0000	8142-24-1	35	57-010-0000	5570-524-7	60
51-143-0000	6745-1	52	52-012-9041	9827C-22-1	—	55-013-3196	8142-23-1	35	57-010-3072	5039-1	—
51-145-0000	6760-1	52	52-024-0000	9883-24-1	39	55-018-0000	6241-24-1	—	57-010-3073	5021X-9	60
51-149-0000	6797-1	—	52-024-3196	9883-23-1	39	55-018-3196	6241-23-1	—	57-010-3196	5570-523-7	60
51-151-0000	6750-1	52	52-026-0000	9889-24-1	40	55-019-0000	8165-24-1	35	57-010-3702	5039-9	—
51-152-0000	6761-1	52	52-026-3196	9889-23-1	40	55-019-3196	8165-23-1	35	57-010-3703	5038-9	—
51-153-0000	6751-1	—	52-026-4210	9889A-24-1	—	55-020-0000	6167-24-1	38	57-010-9072	5039-9	—
51-173-6700	5529-1-8	70	52-026-4220	9889B-24-1	—	55-020-3196	6167-23-1	38	57-010-9073	5038-9	—
51-173-6800	2524-1-8	70	52-026-4230	9889C-24-1	—	55-021-0000	6266-24-1	38	58-007-0000	2541-524-1	54
51-173-6900	4574-1-8	70	52-026-9039	9889A-22-1	—	55-031-0000	8461-24-1	35	58-007-3196	2541-523-1	54
51-174-6700	5529-1-7	70	52-026-9040	9889B-22-1	—	55-031-3196	8461-23-1	35	58-010-0000	2540-524-1	56
51-174-6800	2524-1-7	70	52-026-9041	9889-22-1	40	55-036-0000	8441-24-1	—	58-010-3196	2540-523-1	56
51-174-6900	4574-1-7	70	52-027-0000	9884-24-1	39	55-036-3196	8441-23-1	—	59-007-0000	4547-524-1	63
51-175-0000	6820-1	52	52-027-3196	9884-23-1	39	55-037-0000	8165R-24-1	35	59-007-3196	4547-523-1	63
51-175-6701	5530-1-8	70	52-027-4210	9884A-24-1	—	55-037-3196	8165R-23-1	35	59-010-0000	4539-524-1	63
51-175-6801	2525-1-8	70	52-027-4220	9884B-24-1	—	55-038-0000	6367-24-1	—	59-010-3196	4539-523-1	63
51-175-6901	4533-1-8	70	52-027-4230	9884C-24-1	—	55-038-3196	6367-23-1	—	60-001-0501	8005F-51-1	35
51-177-6701	5530-1-8	70	52-027-9039	9884A-22-1	—	55-039-0000	8466-24-1	38	60-001-0502	8705F-75-1	35
51-177-6801	2525-1-8	70	52-027-9040	9884B-22-1	—	55-039-3196	8466-23-1	38	60-601-0000	3900-9	73
51-177-6901	4533-1-8	70	52-027-9041	9884C-22-1	—	55-604-3702	3206-2-1	5	60-602-0000	3900F-9	73
51-183-0000	6748-1	52	52-030-0000	9887-24-1	39	55-604-3703	3206-1-1	5	61-001-0501	6005F-51-1	38
51-185-0000	6762-1	—	52-030-3196	9887-23-1	39	55-604-9072	3246-2-1	5	61-001-0502	6705F-75-1	—
51-186-0000	6763-1	—	52-030-4210	9887A-24-1	—	55-604-9073	3246-1-1	5			
51-311-3188	6226-24-1	36	52-030-4220	9887B-24-1	—	55-604-9172	3206-2-1	5			
51-311-3196	6226-23-1	36	52-030-4230	9887C-24-1	—	55-604-9173	3206-1-1	5			
51-328-3188	6426-24-1	36	52-030-9039	9887A-22-1	—	55-604-9272	3246-2-1	5			

<http://www.coaxicom.com/seaelectro.com>

The cross reference shown is in most cases, form, fit and function equivalent. Solitron SMA part numbers with an SF prefix are passivated stainless steel (COAXICOM suffix -9). Any of the gold plated SMA parts can be ordered as passivated by changing the COAXICOM suffix to -9. For other connectors and adapters, material may be brass or stainless steel, as the series dictates.

SOLITRON	COAXICOM	PG	SOLITRON	COAXICOM	PG	SOLITRON	COAXICOM	PG	SOLITRON	COAXICOM	PG
			2243-0009	8322-23-1	33	2798-6014	7026-1	—	2913-6032	3090-4A-1	—
066-29-010	3309-39	20	2260-0002	8125-1	33	2799-6001	7024-1	—	2913-6056	3090-3-1	7
066-29-016	3309-42	20	2260-0003	8140-1	33	2799-6004	7023-1	—	2915-6001	3221-2A-1	4
066-29-018	3309-40	20	2270-0003	8133-1	33	2900-6000	3609-3-1	—	2915-6125	3131-15-1	19
SF 1102-6001	3083-9	38	2285-0001	8130-1	34	2900-6001	3089-1-1	7	2917-6007	3911A-4-1	7
SF 1102-6002	3084-9	72	2285-0013	8131-1	34	2900-6008	3601-1-1	7	2920-6001	3091-1-1	8
1102-6005	3076P-1	—	2287-0001	8146-1	34	2900-6009	3601-2-1	7	2920-6004	3917F-22-1	—
SF 1103-6001	3075-9	68	2287-0004	8163-1	34	2900-6010	3601-3-1	7	2921-6001	3091-2-1	8
SF 1104-6001	3098-9	68	2290-0003	8143-1	35	2900-6011	3601-4-1	7	2921-6002	3202-2A-1	5
1104-6006	3300-1	72	2290-0005	8134-1	35	2900-6012	3601-5-1	7	2921-6003	3091-1-1	8
SF 1104-6007	3300-9	72	2291-0001	8137-1	35	2900-6040	3089-4-1	7	2921-6004	3091-2-1	8
SF 1105-6001	3077-9	68	2300-0008	6223-24-1	36	2900-6066	3511-1-1	—	2921-6005	3091-3-1	8
SF 1106-6001	3076-9	68	2301-0008	6223-23-1	36	2900-6067	3917-1-1	6	2921-6006	3091-4A-1	—
SF 1108-6001	3076-9	68	2302-0008	6423-24-1	36	2901-6005	3511-2-1	—	2921-6007	3602-5-1	8
SF 1109-6001	3078-9	68	2303-0008	6423-23-1	36	2902-6001	3183-1-1	4	2921-6012	3602-3-1	8
SF 1110-6001	3079-9	68	2310-0008	6226-24-1	36	2902-6005	3207-1-1	4	2921-6014	3602-2-1	8
SF 1110-6002	3099-9	68	2311-0008	6226-23-1	36	2902-6007	3201-1A-1	4	2921-6015	3602-1-1	8
SF 1111-6001	3080-9	68	2312-0008	6426-24-1	36	2902-6013	3183-1-1	4	2921-6901	3091-29-1	—
SF 1120-6001	4249-9	—	2313-0008	6426-23-1	36	2902-6018	3933-1A-1	5	2921-6903	3091-3-1	8
SF 1121-6001	4250-9	—	2331-0001	6224-24-1	36	2902-6042	3183-1-1	4	2921-6904	3091-5-1	8
SF 1122-6001	4251-9	—	2332-0001	6224-23-1	36	2902-6059	3207-1-1	4	2921-6905	3091-5D-1	—
SF 1123-6001	4252-9	—	2333-0001	6424-24-1	36	2902-6071	3207-1-1	4	2921-6906	3091-1-1	8
SF 1124-6001	3710-9	72	2334-0001	6424-23-1	36	2902-6080	3207-1-1	4	2922-6001	3217-1	21
SF 1125-6001	3711-9	72	2340-0002	6222-24-1	36	2902-6093	3207-1-1	4	2922-6007	3202-1A-1	5
SF 1128-6001	3712-9	72	2341-0002	6222-23-1	36	2903-6001	3089-3-1	7	2922-6031	3928-1A-1	6
SF 1129-6001	3713-9	72	2342-0009	6422-24-1	36	2903-6009	3601-3-1	7	2922-6045	3928-2A-1	6
SF 1130-6001	3909-9	72	2343-0009	6422-23-1	36	2903-6011	3601-2-1	7	2923-6001	3091-3-1	8
SF 1131-6001	3908-9	72	2360-0002	6225-1	36	2903-6012	3601-1-1	7	2923-6008	3091-5-1	8
SF 1132-6001	3081-9	68	2360-0003	6240-1	36	2903-6019	3511-5D-1	—	2923-6020	3091-4A-1	—
SF 1132-6002	3082-9	—	2370-0003	6233-1	36	2903-6027	3089-5-1	7	2924-6002	3917F-25-1	—
SF 1134-6001	3107-9	69	2385-0001	6230-1	37	2903-6035	3601-29-1	—	2926-6001	3202-2A-1	5
SF 1134-6002	3108-9	69	2385-0013	6231-1	37	2903-6088	3089-3-1	7	2928-6006	3202-5-1	5
SF 1134-6007	3032-9	72	2387-0001	6246-1	37	2903-6097	3917-3-1	6	2930-6001	3636-1-1	—
SF 1135-6001	3907-9	68	2387-0004	6263-1	37	2903-6098	3089-1-1	7	2930-6002	3636-3-1	—
SF 1141-6001	3101-9	69	2390-0003	6243-1	38	2903-6099	3089-2-1	7	2930-6003	3636-4B-1	—
SF 1144-6001	3102-9	69	2390-0005	6234-1	38	2903-6901	3089-29-1	7	2930-6004	3636-2-1	—
SF 1145-6001	3103-9	69	2391-0001	6237-1	38	2903-6903	3089-3-1	7	2930-6005	3636-5-1	—
SF 1146-6001	3716-9	—	2700-6001	7551-3-1	—	2903-6904	3089-5-1	7	2931-6009	3636-3A-1	—
SF 1147-6001	3717-9	—	2700-6002	7551-5-1	—	2903-6905	3511-5D-1	—	2931-6011	3636-2A-1	—
SF 1148-6001	3313-9	68	2701-6002	7000-1-1	23	2906-6002	3183-3-1	4	2931-6012	3636-1A-1	—
SF 1149-6001	3100-9	68	2702-6001	7251-2-1	23	2906-6002	3201-2A-1	4	2931-6901	3146-29-1	—
SF 1150-6001	3312-9	68	2702-6401	7251-2-1	23	2906-6005	3183-3-1	4	2931-6903	3146-3-1	8
1154-6001	3035-1	69	2711-6001	7090-5-1	24	2906-6016	3183-3-1	4	2931-6904	3146-5-1	8
1154-6002	3036-1	69	2712-6001	7271-2-1	23	2906-6027	3183-3-1	4	2931-6905	3145-5D-1	—
1154-6003	3039-1	69	2713-6001	7090-3-1	24	2906-6049	3183-3-1	4	2931-6906	3146-1-1	8
1154-6004	3040-1	69	2720-6001	7552-3-1	24	2906-6056	3183-3-1	4	2932-6001	3206-1-1	5
1155-6001	6909-9	—	2721-6002	7552-5-1	24	2906-6072	3183-3-1	4	2932-6003	3236-1A-1	—
1180-6002	3033-1	69	2722-6007	7252-2-1	23	2906-6073	3933-2A-1	5	2932-6015	3246-1-1	5
1180-6003	3034-1	69	2722-6401	7256-2-1	23	2906-6075	3183-3-1	4	2932-6053	3206-1-1	5
1180-6004	3037-1	69	2746-6001	7260-2-1	24	2906-6077	3183-3-1	4	2933-6001	3246-2-1	5
1180-6005	3038-1	69	2750-6001	7254-1	26	2908-6003	3201-5-1	5	2933-6004	3206-2-1	5
2200-0008	8123-24-1	33	2750-6002	7254CC-1	26	2908-6004	3201-5B-1	—	2933-6022	3135-1	5
2201-0008	8123-23-1	33	2755-6001	7264-1	26	2908-6006	3201-5A-1	—	2933-6028	3134-1	5
2202-0008	8323-24-1	33	2755-6002	7264CC-1	26	2910-6001	3090-1-1	7	2933-6041	3206-2-1	5
2203-0008	8323-23-1	33	2760-6002	7274-1	—	2910-6005	3460-1	—	2933-6049	3246-2-1	5
2210-0008	8126-24-1	33	2760-6062	7265-1	25	2910-6026	3090-4A-1	—	2941-6001	3905-25B-1	—
2210-0009	8126-24-1	33	2772-6401	7267-1	27	2910-6077	3090-1-1	7	2942-6004	3210-1-1	6
2211-0008	8126-23-1	33	2773-6401	7268-1	27	2910-6079	3911A-1-1	7	2942-6020	3088-3-1	9
2211-0009	8126-23-1	33	2775-6001	7262-1	27	2911-6001	3090-2-1	7	2942-6024	3905-3-1	8
2212-0008	8326-24-1	33	2780-6002	7253-1-1	26	2912-6001	3221-1A-1	4	2942-6031	3610-1-1	9
2213-0008	8326-23-1	33	2782-6004	7273-1-1	—	2912-6005	3461-1	—	2942-6035	3610-3-1	9
2231-0001	8124-24-1	33	2790-6001	7259-1	27	2913-6001	3090-3-1	7	2942-6037	3610-2-1	9
2232-0001	8124-23-1	33	2792-6010	7267-1	27	2913-6007	3090-26-1	—	2942-6043	3610-4-1	9
2233-0001	8324-24-1	33	2793-6060	7268-1	27	2913-6015	3911A-3-1	7	2942-6045	3210-1-1	6
2234-0001	8324-23-1	33	2794-6003	7269-1	27	2913-6018	3531-2-1	—	2942-6073	3928-1A-1	6
2240-0002	8122-24-1	33	2797-6003	7266-1	27	2913-6020	3090-29-1	7	2943-6001	3088-3-1	9
2241-0002	8122-23-1	33	2798-6002	7026-1	—	2913-6030	3090-5-1	7	2943-6010	3095-1	—
2242-0009	8322-24-1	33	2798-6013	7280-1	—						

<http://www.coaxicom.com/solitron.html>

SOLITRON TO COAXICOM CROSS REFERENCE (cont.)



SOLITRON	COAXICOM	PG	SOLITRON	COAXICOM	PG	SOLITRON	COAXICOM	PG	SOLITRON	COAXICOM	PG
2943-6015	3092-1	—	2951-6104	3924CC-1	—	2960-6255	3225-1-28-1	16	2975-6001	3220-1-1	16
2943-6017	3093-1	—	2951-6106	3131KE-12-1	—	2960-6256	3225-1-36-1	16	2975-6002	3220A-1	16
2943-6027	3088-1-1	9	2951-6107	3131KE-18-1	—	2960-6257	3225-1A-12-1	16	2975-6023	3110C-2-1	—
2943-6028	3088-2-1	9	2951-6110	3130E-15-1	—	2960-6258	3225-1A-18-1	16	2975-6025	3722-1	—
2943-6036	3088-3-1	9	2951-6111	3142E-15-1	—	2960-6259	3225-1A-28-1	16	2975-6093	3220-1	16
2943-6040	3610-1-1	9	2951-6112	3131KE-15-1	—	2960-6260	3225-1A-36-1	16	2975-6200	3137AB-20-1	20
2943-6041	3610-2-1	9	2951-6114	3131K-12-1	19	2960-6653	3225-2-12-1	16	2980-6001	3203-2-1	—
2943-6042	3610-3-1	9	2951-6115	3131K-18-1	19	2960-6654	3225-2-18-1	16	2980-6003	3203-1-1	—
2943-6043	3610-4-1	9	2951-6116	3131K-36-1	19	2960-6655	3225-2-28-1	16	2980-6004	3203-3-1	—
2943-6044	3610-5-1	9	2951-6117	3142-12-1	19	2960-6656	3225-2-36-1	16	2981-6001	3213-1-1	—
2943-6045	3088-1-1	9	2951-6118	3142-18-1	19	2960-6657	3225-2A-12-1	16	2981-6003	3213-3-1	—
2943-6073	3610-1-1	9	2951-6119	3142-36-1	19	2960-6658	3225-2A-18-1	16	2981-6004	3213-4-1	—
2943-6901	3088-29-1	—	2951-6121	3130A-15-1	—	2960-6659	3225-2A-28-1	16	2982-6001	3223-1-1	—
2943-6903	3088-3-1	9	2951-6123	3142-15-1	19	2960-6660	3225-2A-36-1	16	2982-6003	3223-3-1	—
2943-6904	3088-5-1	9	2951-6124	3131K-15-1	19	2960-6681	3226-2L-12-1	16	2982-6004	3223-4-1	—
2943-6905	3088-5D-1	—	2951-6125	3131-15-1	19	2960-6682	3226-2L-18-1	16	2983-6001	3243-1-1	—
2943-6906	3088-1-1	9	2951-6146	3131E-15-1	—	2960-6683	3226-2L-28-1	16	2983-6003	3243-3-1	—
2946-6009	3938-2A-1	—	2955-6001	3144-3CC-1	10	2960-6684	3226-2L-36-1	16	2983-6004	3243-4-1	—
2946-6012	3210-2-1	6	2955-6002	3214-1	9	2960-6686	3226-2R-12-1	16	2985-6004	3115-1	18
2946-6045	3210-2-1	6	2955-6003	3214-CC-1	9	2960-6687	3226-2R-18-1	16	2985-6016	3148-1	18
2947-6003	3126-1	14	2955-6020	3249-12-1	10	2960-6689	3226-2R-28-1	16	2986-6001	3114-1	18
2950-6002	3204-1	11	2955-6021	3249CC-18-1	10	2960-6690	3226-2R-36-1	16	2986-6009	3149-1	18
2950-6003	3204CC-1	11	2955-6022	3111-1	—	2960-6704	3226-2AL-12-1	16	2989-0313	3248-2*	—
2950-6041	3919-28-1	13	2955-6023	3922-12-1	10	2960-6705	3226-2AL-18-1	16	2989-6011	3248-5-1	—
2950-6042	3244-3-1	12	2955-6024	3922-18-1	10	2960-6706	3226-2AL-28-1	16	2989-6023	3248-1A-1	—
2950-6043	3244-3CC-1	12	2955-6025	3922-28-1	10	2960-6707	3226-2AL-36-1	16	2989-6024	3248-2-1	—
2950-6044	3215-3-1	12	2955-6026	3922-36-1	10	2960-6708	3226-2AR-12-1	16	2989-6025	3248-4-1	—
2950-6045	3215-3CC-1	12	2955-6029	3249CC-28-1	10	2960-6709	3226-2AR-18-1	16	2990-6005	3209-A-1	21
2950-6060	3244-1-1	13	2955-6030	3112-1-1	9	2960-6710	3226-2AR-28-1	16	2991-6002	3208-A-1	21
2950-6061	3204-CC-1	11	2955-6031	3249CC-36-1	10	2960-6711	3226-2AR-36-1	16	2992-6001	3217-1	21
2950-6062	3244-2-1	11	2955-6041	3923-36-1	10	2961-4023	3463-1	17	SF 2992-6023	3125-9	21
2950-6064	3919-5-1	13	2955-6042	3923-28-1	10	2961-6001	3458-1	17	SF 2992-6029	3217XB-1	—
2950-6066	3204-1-1	—	2955-6052	3923CC-18-1	10	2961-6002	3463-1	17	2993-6001	3218-1	21
2950-6067	3919-18-1	13	2955-6064	3922-12-1	10	2961-6034	3152-1-12-1	15	SF 2993-6004	3913-9	—
2950-6069	3204-1CC-1	11	2955-6065	3922-18-1	10	2961-6035	3152-1-18-1	15	2993-6005	3085-1	21
2950-6081	3215-1	11	2955-6066	3922-28-1	10	2961-6036	3152-1-28-1	15	2994-6001	3219A-1	21
2950-6100	3720*	—	2955-6067	3922-36-1	10	2961-6037	3152-1-36-1	15	2994-6001	3219-1	—
2950-6106	3720-1	—	2955-6081	3214CC-1	9	2961-6038	3152-1A-12-1	15	SF 2994-6002	3912-9	21
2950-6131	3138-1	—	2955-6091	3214-1	9	2961-6039	3152-1A-18-1	15	2995-6001	3086-1	21
2950-6132	3139-1	—	2955-6095	3117-CC-1	9	2961-6040	3152-1A-28-1	15	2996-6001	3087-1	21
2950-6133	3140-1	—	2955-6139	3249ACC-12-1	10	2961-6041	3152-1A-36-1	15	2997-6003	3216-1	21
2950-6135	3123-1	11	2955-6140	3249ACC-18-1	10	2961-6603	3151-1	—	2997-6007	3163-1	21
2950-6136	3124-1	11	2955-6148	3249ACC-28-1	10	2961-6605	3151T-1	15	2998-6001	3113-1	—
2950-6140	3244-2F-1	11	2955-6154	3249ACC-36-1	10	2961-6606	3152-2-12-1	15	2998-6005	3230-1	74
2950-6182	3919-28-1	13	2955-6177	3311E-12-1	—	2961-6607	3152-2-18-1	15	SF 4501-6004	4451-1A-9	—
2950-6198	3204-2CC-1	—	2955-6178	3310E-18-1	—	2961-6608	3152-2-28-1	15	SF 4504-6011	4451-5-9	—
2950-6200	3000-CC-1	11	2955-6197	3311E-18-1	—	2961-6609	3152-2-36-1	15	SF 4508-6005	4451-6-9	—
2950-6219	3919CC-12-1	13	2955-6202	3112-1-1	9	2961-6610	3152-2A-12-1	15	SF 4523-6010	4452-5-9	—
2950-6220	3001-CC-1	—	2955-6208	3923-12-1	10	2961-6611	3152-2A-18-1	15	SF 4533-6002	4452-1A-9	—
2950-6331	3250CC-12-1	13	2955-6209	3117-1	9	2961-6612	3152-2A-28-1	15	4546-6004	4460-1-1	—
2950-6332	3250CC-18-1	13	2955-6217	3117-CC-1	9	2961-6613	3152-2A-36-1	15	SF 4596-6003	4003-9	64
2950-6333	3250CC-25-1	13	2955-6242	3111-1-1	9	2961-6614	3927M-12-1	19	SF 4597-6002	4000-9	64
2950-6336	3244-6-1	11	2955-6249	3923-12-1	10	2961-6615	3927M-18-1	19	SF 4597-6008	4005-9	—
2950-6337	3244-7-1	11	2955-6250	3923-18-1	10	2961-6616	3927M-36-1	19	SF 4598-6003	4004-9	64
2950-6436	3250ACC-25-1	13	2955-6251	3923-28-1	10	2961-6617	3927ME-15-1	—	SF 4599-6003	4006-9	64
2950-6437	3250ACC-36-1	13	2955-6252	3923-36-1	10	2961-6618	3226-1L-50-1	16	SF 6502-6003	5401-6-9	—
2950-6483	3121-9	12	2955-6273	3926L-CC-1	10	2961-6619	3226-1AL-50-1	16	SF 6505-6003	5401-1-9	—
2950-6521	3215HR-5CC-1	—	2955-6305	3311E-15-1	—	2961-6620	3927ME-12-1	—	6505-6006	5016-1	60
2950-6619	3131-12-1	19	2955-6306	3310K-15-1	19	2961-6621	3927ME-18-1	—	SF 6508-6005	5015-9	—
2950-6662	3131-20-1	19	2960-4007	3452-1	17	2961-6622	3226-1R-50-1	16	6521-6003	5018-1	—
2950-6720	3130E-12-1	—	2960-4018	3456-1	17	2961-6623	3226-1AR-50-1	16	SF 6522-6002	5402-6A-9	—
2950-6731	3131-36-1	19	2960-4019	3457-1	17	2961-6628	3927M-15-1	19	SF 6545-6003	5021-9	—
2950-6769	3131E-12-1	—	2960-4040	3454-1	17	2964-4002	3453-1	17	SF 6593-6002	5005-9	—
2950-6780	3130E-18-1	—	2960-6001	3224-1	15	2970-6001	3212-1	13	SF 6594-6001	5000-9	60
2950-6781	3130-36-1	19	2960-6007	3452-1	17	2970-6003	3211-1	13	SF 8018-6005	3900-9	73
2950-6786	3130-12-1	19	2960-6018	3456-1	17	2970-6012	3109-CC-1	16	8021-6002	3724-1	—
2950-6789	3131E-18-1	—	2960-6025	3116-1	15	2970-6042	3212-1	13	8021-6003	3725-1	—
2950-6908	3142E-12-1	—	2960-6131	3451-1	17	2971-6007	3721-1	14	SF 8027-6008	7900M-9	73
2950-6920	3130A-12-1	—	2960-6231	3456-1	17	2971-6008	3143-1	—			
2950-6955	3130A-18-1	—	2960-6253	3225-1-12-1	16	2971-6013	3118-1	14			
2951-6030	3142E-18-1	—	2960-6254	3225-1-18-1	16	2972-6005	3238-1	—			

<http://www.coaxicom.com/soliton.html>

CDI (CONNECTING DEVICES INC.) TO COAXICOM CROSS REFERENCE

The cross reference is in most cases equal in performance, assembly, and dimensions. Most part numbers reflect gold plating. For passivated finish, CDI uses an SF suffix, and COAXICOM -1 becomes -9. Note that although only a small sampling is shown, Coaxicom can cross to virtually any CDI cable assembly. Please contact factory.

CDI	COAXICOM	PG	CDI	COAXICOM	PG	CDI	COAXICOM	PG	CDI	COAXICOM	PG
4004-11	3909-40	—	5240-1	3203-3-1	—	5631-2CC	3927MAR-20-1	19	5890	3109-1	—
4004-13	3909-39	—	5240-2	3203-1-1	—	5631-4CC	3927MAR-12-1	19	5890CC	3109CC-1	16
4004-5	3909-42	—	5240-4	3203-4-1	—	5631-5CC	3927MAR-15	19	5901	3463-1	17
4004-9	3909-41	—	5246-1CC	3248-1A-1	—	5631-6CC	3927MAR-18	19	5922CCSF	3121-9	12
5004CCSF	3077-9	68	5246-2CC	3248-2-1	—	5632-1CC	3927MAL-36	19	5926-1	3918-12-1	13
5006CCSF	3080-9	68	5246-3CC	3248-4-1	—	5632-2CC	3927MAL-20	19	5926-1CC	3918CC-12-1	13
5008CCSF	3098-9	68	5250	3244-3CC-1	12	5632-4CC	3927MAL-12	19	5926-2	3918-18-1	13
5009CCSF	3081-9	68	5251	3244B-3CC-1	12	5632-5CC	3927MAL-15	19	5926-2CC	3918CC-18-1	13
5010CCSF	3079-9	68	5260CC	3215-1	11	5632-6CC	3927MAL-18	19	5926-3CC	3918CC-28-1	13
5012CCSF	3099-9	68	5268-1	3920A-1	—	5659-1CC	3927FAL-36	19	5926-4	3918-36-1	13
5032	3000-1	11	5268-2	3920C-1	—	5659-2CC	3927FAL-20	19	5926-4CC-1	3918CC-36-1	13
5032CC	3000-CC-1	11	5268-3	3920E-1	—	5659-4CC	3927FAL-12	19	5930CCSF	3122-9	10
5065SF	3913-9	—	5268-4	3920G-1	—	5659-5CC	3927FAL-15	19	5934-1	3922-12-1	10
5110CC	3211-1	13	5271	3215T-28CC-1	—	5659-6CC	3927FAL-18	19	5934-1CC	3922CC-12-1	10
5111CC	3118-1	14	5280-1	3243-3-1	—	5660-1CC	3927FAR-36	19	5934-2	3922-18-1	10
5130CC	3212-1	13	5280-2	3243-1-1	—	5660-2CC	3927FAR-20	19	5934-2CC	3922CC-18-1	10
5170CC	3209-A-1	21	5280-4	3248-5-1	—	5660-4CC	3927FAR-12	19	5934-3	3922-28-1	10
5191CC	3217-1	21	5285-1	3207-1-1	4	5660-5CC	3927FAR-15	19	5934-3CC	3922CC-28-1	10
5205-1	3249-12-1	10	5285-2	3201-2A-1	4	5660-6CC	3927FAR-18	19	5934-4	3922-36-1	10
5205-1CC	3249CC-12-1	10	5286-1	3202-1A-1	4	5663-CC	3130-#-1	19	5934-4CC	3922CC-36-1	10
5205-2	3249-18-1	10	5286-2	3202-2A-1	4	5664-CC	3311-#-1	—	5941-CC	3131K-#-1	19
5205-2CC	3249CC-18-1	10	5289-1	3210-1-1	6	5665-CC	3131-#-1	19	5942-CC	3310K-#-1	19
5205-3	3249-28-1	10	5289-2	3210-2-1	6	5666-CC	3310-#-1	19	8009-1SF	5016-9	—
5205-3CC	3249CC-28-1	10	5299CC	3216-1	21	5668-CC	3142-#-1	19	8009-1SF	5026X-9	—
5205-4	3249-36-1	10	5308-1CC	3124-1	11	5669-CC	3310Y-#-1	19	8009-2SF	5401-2-9	—
5205-4CC	3249CC-36-1	10	5308-2CC	3123-1	11	5692	3215HR-5CC-1	—	8009-4SF	5401-5-9	—
5206-1	3249-12-1	10	5309-1CC	3244-7-1	11	5720-1	3091-1-1	8	8010-1SF	5018-9	—
5206-1CC	3249ACC-12-1	10	5309-2CC	3244-6-1	11	5720-2	3091-3-1	8	8011-1SF	5021-9	—
5206-2	3249-18-1	10	5319	3183-1-1	4	5721-1	3089-1-1	—	8011-3SF	5021M-9	—
5206-2CC	3923A-2CC-18-1	10	5319-1	3201-1A-1	4	5721-2	3088-3-1	9	8020CCSF	5004B-9	61
5206-3	3249-28-1	10	5320-1	3213-3-1	—	5730-1	3089-1-1	7	8028CCSF	5000M-9	—
5206-3CC	3249ACC-28-1	10	5320-2	3213-1-1	—	5730-2	3089-3-1	7	8030CCSF	5000-9	61
5206-4	3249-36-1	10	5320-4	3213-4-1	—	5731-1CC	3923-1CC-12-1	—	8036CCSF	5005-9	—
5206-4CC	3249ACC-36-1	10	5339CC	3111-1	9	5731-2CC	3923-1CC-18-1	—	8037CCSF	5004-9	61
5208-1	3250-12-1	13	5340	3214-1	9	5731-3CC	3923-1CC-28-1	—	8038CCSF	5002-9	61
5208-1CC	3250CC-12-1	13	5340CC	3214-CC-1	9	5731-4CC	3923-1CC-36-1	—	8041SF	5042CC-9	—
5208-2	3250-18-1	13	5341	3117-1	9	5750-1CC	3460-1	—	823	3713-1	72
5208-2CC	3250CC-18-1	13	5341CC	3117-CC-1	9	5760-1	3919-12-1	13	824	3712-1	72
5208-3	3250-28-1	13	5343	3926I-CC-1	10	5760-1CC	3919CC-18-1	13	833	3909-1	72
5208-3CC	3250CC-28-1	13	5344	3926J-CC-1	10	5760-2	3919-18-1	13	834	3908-1	72
5208-4	3250-36-1	13	5348	3144-3-1	—	5760-2CC	3919CC-18-1	13	9009-1SF	4451-1A-9	—
5208-4CC	3250CC-36-1	13	5348CC	3144-3CC-1	10	5760-3	3919-28-1	13			
5209-1	3250-12-1	13	5355-1	3924A-1	—	5760-3CC	3919CC-28-1	13			
5209-1CC	3250ACC-12-1	13	5355-2	3924C-1	—	5760-4	3919-36-1	13			
5209-2	3250-18-1	13	5355-3	3924E-1	—	5760-4CC	3919CC-36-1	13			
5209-2CC	3250ACC-18-1	13	5355-4	3924G-1	—	5761-1	3923-12-1	10	CDI-142-1515-L	5461-142-5461-L	0
5209-3	3250-28-1	13	5357	3925A-1	—	5761-2	3923-18-1	10	CDI-223-0102-L	3089-223-3090-L	0
5209-3CC	3250ACC-28-1	13	5390CC	3218-1	21	5761-3	3993-28-1	10	CDI-316-0101-L	3089-316-3089-L	0
5209-4	3250-36-1	13	5430CC	3452-1	17	5761-4	3923-36-1	10	CDI-316DS-1214-L	2090-316DS-2540-L	0
5209-4CC	3250ACC-36-1	13	5432CC	3451-1	17	5762CC	3215-3CC-1	—	CDI-402-0707-L	4547-402-4547-L	0
5210-1CC	3244-2F-1	11	5432CC	3451-1	17	5763CC	3215-5CC-1	—	CDI-405-0101-L	3183-405-3183-L	0
5210-2CC	3244-2-1	11	5434	3458-1	17	5850-1CC	3221-1A-1	4	CDI-58-0311-L	3091-58-2541-L	0
5211CC	3112-1	—	5450	3455-1	17	5850-2CC	3221-2A-1	4	HF-501-L	3183-8141-3183-L	0
5220	3204-1	11	5460	3457-1	17	5851-1CC	3090-1-1	7	HF-502-L	3183-8085-3183-L	0
5220CC	3204-CC-1	11	5490SF	3912-9	21	5851-2CC	3090-3-1	7			
5225-2CC	3246CC0-2-1	—	5602-CC	3130E-#-1	—	5851-3CC	3090-4A-1	—			
5228-1	3206-1-1	5	5603-CC	3131KE-#-1	—	5851-4CC	3090-5-1	7			
5228-2	3206-2-1	5	5604-CC	3131E-#-1	—	5860-1CC	3127-1	12			
5229-1	3246-1-1	5	5605-CC	3142E-#-1	—	5860-2CC	3128-1	12			
5229-2	3246-2-1	5	5606-CC	3311KE-#-1	—	5860-3CC	3129-1	12			
5230-3	3244-1-1	13	5607-CC	3310KE-#-1	—	5862CC	3244-4A-1	12			
5230-3CC	3244-1ACC-1	13	5608-CC	3310E-#-1	—	5867-1CC	3110CC-1-1	17			
5236-1	3461-1	—	5609-CC	3310YE-3-1	—	5867-2CC	3110CC-2-1	17			
5236-2	3462-1	—	5631-1CC	3927MAR-36-1	19	5867-3CC	3110CC-3-1	17			

CABLE ASSEMBLIES

CDI-142-1515-L	5461-142-5461-L	0
CDI-223-0102-L	3089-223-3090-L	0
CDI-316-0101-L	3089-316-3089-L	0
CDI-316DS-1214-L	2090-316DS-2540-L	0
CDI-402-0707-L	4547-402-4547-L	0
CDI-405-0101-L	3183-405-3183-L	0
CDI-58-0311-L	3091-58-2541-L	0
HF-501-L	3183-8141-3183-L	0
HF-502-L	3183-8085-3183-L	0

HUBER + SUHNER AND MILITARY (cont.) TO COAXICOM CROSS REFERENCE



This summary contains cross references to the more common SMA, MCX, and MMCX connectors from Huber+Suhner. Coaxicom can cross to virtually all Huber+Suhner connector and adapters in the SMB, SMC, SMS, BNC, TNC, type N and BNO series. Parts shown here are functional equivalents, and may not be exact duplicates in all cases. Coaxicom SMA connectors are available in a gold finish (-1 suffix), and a passivated finish (-9 suffix). MCX are available in a gold finish (-1 suffix) and nickel (-7 suffix). MMCX 's are normally available only in gold.

H+S	COAXICOM	PG	H+S	COAXICOM	PG	H+S	COAXICOM	PG	H+S	COAXICOM	PG
11 MCX-50-1-10	1422-23-1	29	13 SMA-50-0-1	3111-1	—	16 SMA-50-3-55	3090-2-9	7	24 MCX-75-2-1	1423-24B-1-75	29
11 MCX-50-1-3	1222-42A-1	29	13 SMA-50-0-12	3926J-CC-1	10	16 SMA-50-3-56	3090-1-9	7	24 MMCX-50-1-1	1429-24B-1-75	29
11 MCX-50-2-10	1422-24A-1	29	13 SMA-50-0-2	3144-3CC-1	10	21 MCX-50-1-10	1423-23-1	29	24 MMCX-50-1-6	1M429-23-1	31
11 MCX-50-2-11	1422-29-1	29	13 SMA-50-0-3	3214CC-1	9	21 MCX-50-2-10	1423-24A-1	29	24 MMCX-50-2-1	1M229-31-1	30
11 MCX-50-2-3	1222-31-1	29	13 SMA-50-0-51	3111-9	—	21 MCX-50-2-11	1423-29-1	29	24 SMA-50-2-13	3088-3-1	9
11 MCX-75-2-1	1222-24B-1-75	29	13 SMA-50-0-52	3144-3CC-9	—	21 MMCX-50-1-1	1M423-23-1	31	24 SMA-50-3-42	3088-1-1	9
11 MCX-75-2-6	1222-29-1-75	29	13 SMA-50-0-53	3214CC-9	9	21 MMCX-50-2-1	1M223-31-1	30	24 SMA-50-3-7	3088-2-1	9
11 MMCX-50-1-1	1M422-23-1	31	13 SMA-50-0-62	3926J-CC-9	10	21 SMA-50-2-100	3221-1A-9	4	25 SMA-50-1-4	3134-1	5
11 MMCX-50-1-3	1M222-42A-1	30	16 MCX-50-1-5-111	1426-24A-1	—	21 SMA-50-2-105	3090-2-1	7	25 SMA-50-1-4	3135-1	5
11 MMCX-50-2-1	1M222-31-1	30	16 MCX-50-1-3	1227-42A-1	29	21 SMA-50-3-106	3090-1-1	7	25 SMA-50-2-15	3206-2-1	5
11 MMCX-50-2-3	1M422-24A-1	31	16 MCX-50-1-5	1426-23-1	29	21 SMA-50-3-5	3091-2-1	8	25 SMA-50-2-25	3246-2-1	5
11 MMCX-50-2-4	1M422-29-1	31	16 MCX-50-2-3	1227-31-1	29	21 SMA-50-3-6	3091-1-1	8	25 SMA-50-2-46	3146-29-7	—
11 SMA-50-2-15	3201-2A-1	4	16 MCX-50-2-5-133	1426-24A-7	—	22 SMA-50-0-2	3118-1	14	25 SMA-50-2-5	3146-3-1	8
11 SMA-50-2-41	3089-29-7	7	16 MCX-50-2-6/111	1426-29-1	—	22 SMA-50-0-3	3220-1	16	25 SMA-50-3-15	3206-1-1	5
11 SMA-50-2-42	3089-3-7	7	16 MCX-50-2-6/133	1426-29-7	—	22 SMA-50-0-4	3211-1	13	25 SMA-50-3-25	3246-1-1	5
11 SMA-50-2-5	3089-3-1	7	16 MCX-75-2-1	1426-24B-1-75	29	22 SMA-50-0-53	3220-9	16	25 SMA-50-3-5	3146-2-1	8
11 SMA-50-2-55	3089-2-9	7	16 MMCX-50-1-1	1M427-23-1	31	22 SMA-50-0-54	3211-9	13	25 SMA-50-3-6	3146-1-1	8
11 SMA-50-2-6	3089-29-1	7	16 MMCX-50-1-4	1M227-42A-1	30	23 SMA-50-0-1	3215-1	11	25 SMA-50-3-7	3093-1	—
11 SMA-50-2-65	3201-2A-9	4	16 MMCX-50-2-1	1M227-31-1	30	23 SMA-50-0-11	3244-2F-1	11	25 SMA-50-3-8	3610-1-1	9
11 SMA-50-3-10	3917-1-1	6	16 MMCX-50-2-2	1M427-29-1	31	23 SMA-50-0-12	3244B-3CC-1	12	27 SMA-50-0-1	3126-1	14
11 SMA-50-3-100	3207-1-1	4	16 MMCX-50-2-4	1M427-24A-1	31	23 SMA-50-0-13	3000CC-1	11	28 SMA-50-0-1	3224-1	15
11 SMA-50-3-14	3183-1-1	4	16 SMA-50-145	3090-2-7	7	23 SMA-50-0-174	3121-9	12	31 MCX-50-0-1	1237-1	30
11 SMA-50-3-15	3207-1-1	4	16 SMA-50-2-105	3090-3-1	7	23 SMA-50-0-2	3215-3CC-1	12	31 MMCX-50-0-1	1M237-1	31
11 SMA-50-3-16	3183-1-1	4	16 SMA-50-2-106	3090-29-1	7	23 SMA-50-0-3	3204CC-1	11	34 MCX-50-0-2	1209A-1	30
11 SMA-50-3-42	3183-1-7	4	16 SMA-50-2-141	3090-29-7	7	23 SMA-50-0-4	3215-5CC-1	12	34 MMCX-50-0-1	1M209A-1	31
11 SMA-50-3-45	3089-2-7	7	16 SMA-50-2-145	3090-3-7	7	23 SMA-50-0-51	3215-9	11	81 MCX-50-0-1	1230-1	29
11 SMA-50-3-46	3089-1-7	7	16 SMA-50-2-3	3221-2A-1	4	23 SMA-50-0-52	3215-3CC-9	12	81 MMCX-50-0-1	1M230-1	31
11 SMA-50-3-5	3917-3-1	6	16 SMA-50-2-43	3221-2A-7	4	23 SMA-50-0-53	3204CC-9	11	82 MCX-50-0-2	1246-1	29
11 SMA-50-3-55	3089-2-9	4	16 SMA-50-2-53	3221-2A-9	4	23 SMA-50-0-54	3215-5CC-9	12	82 MCX-550-0-22	1246EM-1	—
11 SMA-50-3-56	3089-1-9	7	16 SMA-50-2-55	3090-3-9	7	23 SMA-50-0-61	3244-2F-9	11	82 MMCX-50-0-1	1M230TM-1	31
11 SMA-50-3-6	3917-29-1	6	16 SMA-50-2-56	3090-29-9	7	23 SMA-50-0-62	3244B-3CC-9	12	82 MMCX-S50-0-2	1M246EM-1	31
11 SMA-50-3-64	3201X-1A-9	4	16 SMA-50-3-105	3090-2-1	7	23 SMA-50-0-63	3000CC-9	11	82 SMA-50-0-1	3115-1	18
11 SMA-50-3-65	3207-1-9	4	16 SMA-50-3-106	3090-1-1	7	24 MCX-50-1-10	1429-23-1	29	85 MMCX-50-0-1	1M231-1	31
11 SMA-50-3-66	3183-1-9	4	16 SMA-50-3-146	3090-1-7	7	24 MCX-50-1-3	1229-41A-1	29	85 SMA-50-0-101	3114-1	18
11 SMA-50-3-7	3917-2-1	6	16 SMA-50-3-3	3221-1A-1	4	24 MCX-50-2-10	1429-24A-1	29	16 MCX-50-2-9	1227-42A-1	29
11 SMA-50-3-8	3917-1-1	6	16 SMA-50-3-43	3221-1-7	—	24 MCX-50-2-11	1429-29-1	29			
11 SMA-50-5-2	3201-5-9	5	16 SMA-50-3-53	3221-1-9	—	24 MCX-50-2-3	1229-31-1	29			

<http://www.coaxicom.com/huber.html>

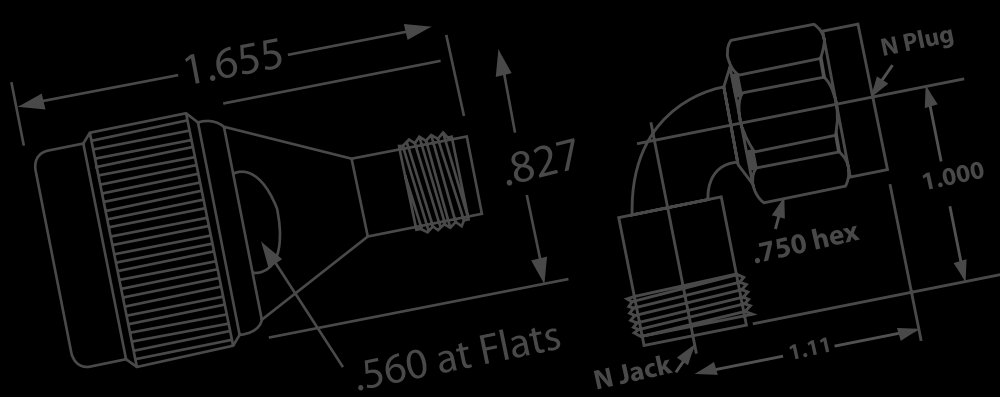
Parts shown are functional equivalent equivalents and may not be exact duplicates of the MIL part. Most meet or exceed the requirements of MIL-PRF-39012, but are not QPL approved. *: Inset -1 for gold finish, or -9 for passivated. This cross-reference in only a sampling of SMA, SMB, and SMC series. Cross references to Military BNC, TNC and type N are available. Consult factory.

MILITARY	COAXICOM	PG	MILITARY	COAXICOM	PG	MILITARY	COAXICOM	PG	MILITARY	COAXICOM	PG
<i>continued from Page 79</i>											
M39012/69-0001	6226-23-1	36	M39012/76-0002	8142-24-1	35	M39012/95-0001	6230-1	37	M83517/3-32006	3919CC-28-1	13
M39012/69-0002	6226-24-1	36	M39012/76-0003	8142-23-1	35	M39012/96-0001	6231-1	37	M83517/4-31002	3344-6-1	—
M39012/69-0003	6226-23-1	36	M39012/76-0004	8124-24-1	33	M83517/1-31002	3244-3CC*	12	M83517/4-32001	3244-7-1	11
M39012/69-0004	6226-24-1	36	M39012/77-0001	8125-1	33	M83517/1-31003	3215-5CC*	12	M83517/4-32002	3244-6-1	11
M39012/70-0001	6225-23-1	—	M39012/77-0002	8140-1	33	M83517/1-31004	3215-3CC*	12	M83517/4-32003	3124-1	11
M39012/70-0002	6225-24-1	—	M39012/79-3008	3933-1A-1	5	M83517/1-32002	3244-5CC*	—	M83517/4-32004	3123-1	11
M39012/70-0003	6224-23-1	—	M39012/79-3008	3933-1A-1	5	M83517/1-32003	3215-5CC*	12	M83517/4-32005	3704-CC-1	—
M39012/70-0004	6224-24-1	—	M39012/79-3105	3201-2A-1	4	M83517/1-32004	3215-3CC*	12	M83517/5-31001	3704-CC-1	—
M39012/73-0001	8123-23-1	33	M39012/79-3106	3907*	—	M83517/10-31001	3130*	19	M83517/5-32001	3704-CC-1	—
M39012/73-0002	8123-24-1	33	M39012/80-3105	3221-2A-1	4	M83517/10-32001	3130*	19	M83517/6-31001	3203-1-1	—
M39012/73-0003	8123-23-1	33	M39012/80-3106	3221-1A-1	4	M83517/2-31002	3926I-9	10	M83517/6-31002	3203-4-1	—
M39012/73-0004	8123-24-1	33	M39012/81-3001	3202-1A-1	5	M83517/2-32002	3926I-9	10	M83517/6-32001	3203-1-1	—
M39012/73B-0010	8323-24-1	33	M39012/81-3002	3202-1A-1	5	M83517/3-31001	3250CC-12-1	13	M83517/6-32002	3203-4-1	—
M39012/74-0001	8122-23-1	33	M39012/82-3001	3206-2-1	5	M83517/3-31002	3250CC-18-1	13	M83517/7-31001	3213-1-1	—
M39012/74-0002	8122-24-1	33	M39012/82-3002	3206-1-1	5	M83517/3-31003	3250CC-28-1	13	M83517/7-31002	3213-4-1	—
M39012/74-0003	8122-23-1	33	M39012/83-3001	3210-2-1	6	M83517/3-31004	3919CC-12-1	13	M83517/7-32001	3213-1-1	—
M39012/74-0004	8122-24-1	33	M39012/83-3002	3210-1-1	6	M83517/3-31005	3919CC-18-1	13	M83517/7-32002	3213-4-1	—
M39012/75-0001	8326-23-1	33	M39012/83-3007	3210-2-1	6	M83517/3-31006	3919CC-28-1	13	M83517/9-31001	3248-1A-9	—
M39012/75-0002	8326-24-1	33	M39012/83-3009	3928-2A-1	6	M83517/3-32001	3250CC-12-1	13	M83517/9-31002	3248-2-9	—
M39012/75-0003	8326-23-1	33	M39012/83-3010	3928-1A-1	6	M83517/3-32002	3250CC-18-1	13	M83517/9-31003	3248-4-9	—
M39012/75-0004	8126-24-1	33	M39012/92-3101	3201-1A-1	4	M83517/3-32003	3250CC-28-1	13	M83517/9-32001	3248-1A-9	—
M39012/76-0001	8142-23-1	35	M39012/93-3001	3115-1	18	M83517/3-32004	3919CC-12-1	13	M83517/9-32002	3248-2-9	—
			M39012/94-3001	3114-1	18	M83517/3-32005	3919CC-18-1	13	M83517/9-32003	3248-4-9	—

<http://www.coaxicom.com/military.html>



Established 1984 in Sunny Florida, USA
www.coaxicom.com



COAXIAL COMPONENTS CORP.

Coaxicom Introduces a New Line of Torque Wrenches

Coaxicom torque wrenches are used to properly install or disassemble a wide range of coaxial connectors, as listed in the Table below. This series of torque wrenches are designed with a preset torque value. When the preset torque value is reached, it will "break" and move through a small arc about the pivot pin. The torque tolerance accuracy of Coaxicom torque wrenches is within $\pm 4\%$.



COAXICOM Part No.	Torque Wrench Description	Wrench Size		Preset Torque	Color
		mm	inches		
3022TW	For SMA/3.5mm/2.92mm/2.4mm Type Connectors, normal coupling torque	8.0	[5/16]	0.92 Nm [8.1 in. lbs]	Blue
3023TW	For SMA /3.5mm/2.92mm/2.4mm Type Connectors, proof coupling torque	8.0	[5/16]	1.70 Nm [15.0 in. lbs]	Red
5024TW	For N Type Connectors, normal coupling torque	19.1	[3/4]	0.92 Nm [8.1 in. lbs]	Blue
5025TW	For N/7mm Type Connectors, proof coupling torque	19.1	[3/4]	1.60 Nm [14.0 in. lbs]	Red
5026TW	For N Type Connectors, normal coupling torque	20.0	[63/80]	0.92 Nm [8.1 in. lbs]	Blue
5027TW	For N Type Connectors, proof coupling torque	20.0	[63/80]	1.60 Nm [14.0 in. lbs]	Red
5028TW	For SC/N Type Connectors, normal coupling torque	20.6	[13/16]	0.92 Nm [8.1 in. lbs]	Blue
5029TW	For SC/N Type Connectors, proof coupling torque	20.6	[13/16]	1.60 Nm [14.0 in. lbs]	Red
4030TW	For TNC Type Connectors	14.3	[9/16]	1.60 Nm [14.0 in. lbs]	Blue
4031TW	For TNC Type Connectors	15.9	[5/8]	1.60 Nm [14.0 in. lbs]	Blue
8032TW	For SMC Type Connectors	6.0	[.236]	0.36 Nm [3.0 in. lbs]	Blue
8M033TW	For SSMC Type Connectors	4.0	[5/32]	0.23 Nm [2.0 in. lbs]	Blue
7034TW	For SSMA Type Connectors, normal coupling torque	6.4	[1/4]	0.57 Nm [5.0 in. lbs]	Blue
7035TW	For SSMA Type Connectors, proof coupling torque	6.4	[1/4]	0.92 Nm [8.1 in. lbs]	Red
3036TW	For SMA Hermetic Type Connectors	7.1	[9/32]	3.40 Nm [30.0 in. lbs]	Blue
5037TW	For 7/16 Type Connectors	32.0	[1-1/4]	27.23 Nm [241.0 in. lbs]	Blue
5038TW	For 7/16 Type Connectors	27.0	[1-1/16]	27.23 Nm [241.0 in. lbs]	Blue



Coaxicom Torque Wrenches are supplied individually in cardboard boxes. Attractive fitted wood (Bamboo) boxes are available for a nominal additional charge.



1.866.COAXICOM
 1.866.(262.9426)

WWW.COAXICOM.COM
 fax 1.800.583.9954