

**PRODUCTION
RELEASE**

NOTE:
THIS DRAWING INCORPORATES
THIRD ANGLE PROJECTION
INTERPRET IN ACC. WITH Y14.5-1992

REVISIONS			
REV	DESCRIPTION	DATE	APPROVED
H	REVISED, REDRAWN AND UPDATED FORMAT	05/19/11	D.S.S

SPECIFICATIONS

ELECTRICAL

FREQUENCY RANGE 2082-6524-DB _____ DC - 18 GHz

ATTENUATION: _____ SEE TABLE

ATTENUATION DEVIATION TOLERANCE: _____ SEE TABLE

VSWR: (MAX.): (1-40 DB)

DC - 4 GHz	1.15:1
4 - 12.4 GHz	1.25:1
12.4 - 18 GHz	1.35:1

IMPEDANCE: _____ 50 OHMS

TEMPERATURE RANGE (°C) _____ -65 TO +125 OPERATING
+150° STORAGE

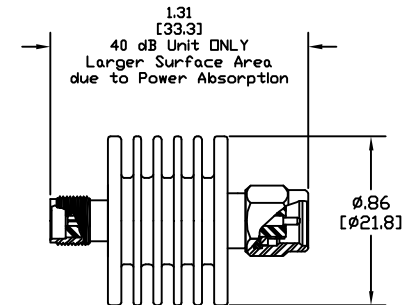
POWER (AVG) _____ 5 WATTS**
POWER (PEAK) (<5 μSEC PW, <0.15 % DUTY CYCLE) _____ 500 WATTS

**POWER DERATES LINEARLY FROM +25°C TO 10 % @ +125°C

DASH NO.	NOM. DB	MAX. DEV.	DASH NO.	NOM. DB	MAX. DEV.
-01	1	±.3	-10	10	±.5
-02	2	±.3	-11	11	±.5
-03	3	±.3	-12	12	±.5
-04	4	±.3	-15	15	±.5
-05	5	±.3	-20	20	±.5
-06	6	±.3	-30	30	±.75
-07	7	±.5	-40	40	±1.25
-08	8	±.5			
-09	9	±.5			

OTHER 5 WATT SMA TYPES AVAILABLE

MAX. FREQ.	ORDER P/N	DB VALUES AVAIL.
2.5 GHz	2082-6522-DB	1-50 DB STD
4 GHz	2082-6520-DB	1-50 DB STD
6 GHz	2082-6526-DB	1-50 DB STD
12.4 GHz	2082-6510-DB	1-40 DB STD



NOT TO SCALE

MECHANICAL SPECIFICATIONS

MATERIALS (CONNECTORS PER MIL-PRF-39012 & MIL-DTL-3933)

CENTER CONDUCTOR: BERYLLIUM COPPER PER QQ-C-530, ASTM B196, ASTM-B197 ALLOYS C17200 OR C17300 PER MIL-PRF-39012. GOLD PLATED PER MIL-PRF-39012

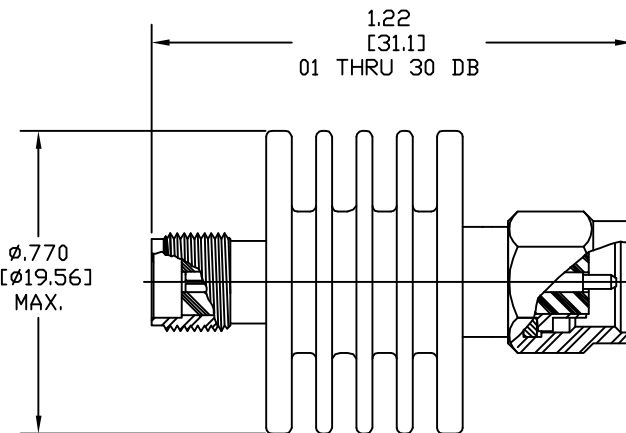
OUTER CONDUCTOR: STAINLESS STEEL, CORROSION RESISTANT PER ASTM A484 & A582, CLASS 303, COND. A. PASSIVATED PER ASTM A380

DIELECTRIC: TEFLON PER ASTM D1710.

HOUSING: ALUMINUM (May be one of several QQ-A-XXX or ASTM standards)

RESISTOR SUBSTRATE AIN OR ALUMINUM OXIDE. RESISTOR: PROPRIETARY THIN FILM HYBRID WITH PROTECTIVE SiO COATING.

FOR UNMARKED UNITS OR FOR CUSTOM MARKING CONTACT FACTORY FOR PART NUMBER / SUFFIX TO APPEND TO MODEL NUMBER



ENVIRONMENTAL CAPABILITIES AND DESIGN COMPLY WITH MIL-DTL-3933 FOR CLASS IV DEVICES (SOME PARAMETERS COMPLY WITH TYPE III OR BETTER)

DRAWING PRACTICES PER ANSI-Y14.5 MIL-STD-100 & 1000	UNLESS OTHERWISE SPECIFIED TOLERANCES IN	DRAWN T. MAIN 05/19/2011	DATE
DIMENSIONS ARE IN INCHES AND APPLY BEFORE/AFTER PROCESSING	DECIMALS INCH MM	CHECKED	DATE
SURFACE ROUGHNESS 63 ✓	.XX" .03" [.76]	ENG. D. SAUNDERS	05/19/2011
FINISH	.XXX" .010" [.25]	THESE DRAWINGS AND SPECIFICATIONS ARE THE PROPERTY OF XMA CORP. OR OMNISPECTRA AND SHALL NOT BE REPRODUCED, COPIED NOR USED - IN WHOLE OR IN PART - AS A BASIS FOR THE MANUFACTURE OR SALE OF OTHER ITEMS WITHOUT THE EXPRESS WRITTEN PERMISSION OF XMA CORP.	
SEE NOTES	.XXXX" .005" [.127]	SIZE C	CAGE CODE 3HT76
MATERIAL	.XXXXX" .0005" [.013]	SCALE 4:1	DWG NO. 2082-6524-DB
SEE NOTES	ANGLES ±0°30'	PLATING REF. COL. REF. BLUE	XXX SHEET 1 OF 1
	REMOVE ALL BURRS/SHARP W/ BREAK / R OF .003" TO .005"		
	DIA. CONCENTRIC <.003 T.I.R.		

www.XMACorp.com Sales@XMACorp.com
XMA Omni Spectra
 Phone: 603-222-2256 Fax: 603-222-2259
 150 Dow Street, Manchester, NH 03101

5 Watt SMA Attenuator
 Air Cooled, up to 18 GHz

DATE 05/19/2011