

TITLE: SPECIFICATION CONTROL DRAWING

PART IDENTIFIER: TS03XXF



DESCRIPTION: CHIP ATTENUATOR LEAD FREE

ASSEMBLY DWG: 1901804

1.0 SPECIFICATIONS:

1.1 ELECTRICAL:

- 1.1.1 IMPEDANCE: 50 OHMS NOMINAL.
- 1.1.2 FREQUENCY RANGE: DC-12.4 GHZ.
- 1.1.3 ATTENUATION VALUES AVAILABLE: 0-20DB IN 1.0DB INCREMENTS.
- 1.1.4 ATTENUATION ACCURACY: SEE TABLE.

ATTENUATION ACCURACY			
DB	DC - 4 GHZ	4 - 8 GHZ	8 - 12.4 GHZ
0	-0, +0.3	-0, +0.5	-0, +0.5
1 - 3	±0.3	±0.5	±0.5
4 - 6	±0.4	±0.5	±0.5
7 - 10	±0.5	±0.5	±0.75
11 - 15	±0.75	+0.5,-3.0	+0.5,-3.5
16 - 20	±1.0	+0.5,-4.0	+1.0,-6.0

- 1.1.5 VSWR: 1.30 MAX.
- 1.1.6 INPUT POWER: 2 WATTS CW.
 - 1.1.6.1 FULL RATED POWER TO 125°C, DERATED LINEARLY TO 0 WATTS AT 150°C.
 - 1.1.6.2 PEAK POWER, 50 WATTS FOR 10US PULSE WIDTH @ 1% DUTY CYCLE.

1.2 MECHANICAL:

- 1.2.1 OUTLINE DWG: SEE SHEET 2.
- 1.2.2 WORKMANSHIP: PER MIL-PRF-55342.

1.3 ENVIRONMENTAL:

- 1.3.1 ALTITUDE:
 - 1.3.1.1 NON-OPERATING: SEA LEVEL TO 50,000 FEET.
 - 1.3.1.2 OPERATING: SEA LEVEL TO 50,000 FEET.
- 1.3.2 TEMPERATURE RANGE:
 - 1.3.2.1 NON-OPERATING: -55°C TO +150°C.
 - 1.3.2.2 OPERATING: -55°C TO +150°C.
- 1.3.3 VIBRATION: PER MIL-STD-202, METHOD 204, COND. D.
- 1.3.4 SHOCK: PER MIL-STD-202, METHOD 213, COND. I.
- 1.3.5 MOISTURE RESISTANCE: PER MIL-STD-202, METHOD 106 EXCEPT SUBCYCLE STEPS 7A AND 7B AND POLARIZATION AND LOAD ARE NOT APPLICABLE.

1.4 ELECTROSTATIC DISCHARGE CONTROL: PER MIL-STD-1686.

2.0 UNIT MARKING: "DB VALUE", LEGIBILITY AND PERMANENCY PER MIL-STD-130.

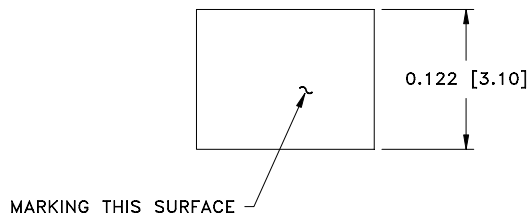
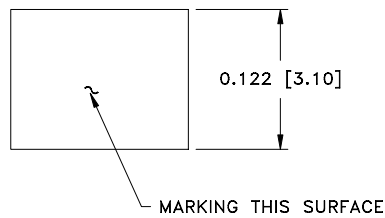
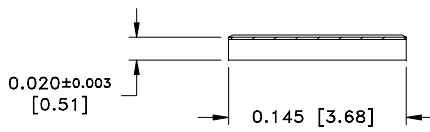
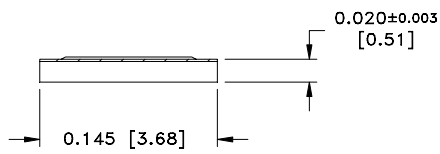
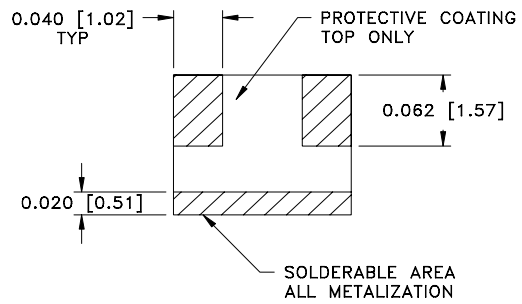
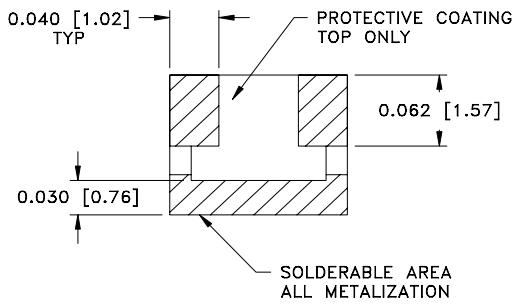
3.0 QUALITY ASSURANCE:

- 3.1 SAMPLE INSPECT PER ANSI/ASQC Z1.4 GENERAL INSPECTION, LEVEL II, AQL = 1.0..
 - 3.1.1 VISUAL AND MECHANICAL EXAMINATION FOR CONFORMANCE TO OUTLINE DRAWING REQUIREMENTS.
- 3.2 PERFORM INSPECTION IN ACCORDANCE WITH QA0006 AND FORM0357 FOR COMMERCIAL GRADE PRODUCT.
- 3.3 TEST DATA REQUIREMENTS:
 - 3.3.1 NO TEST DATA REQUIRED FOR CUSTOMER.
 - 3.3.1 DATA RETENTION – 24 MONTHS.

4.0 PACKAGING: STANDARD PACK PER MC0023.

EMC TECHNOLOGY 8851 SW OLD KANSAS AVE. STUART, FL 34997	CAGE CODE # 24602		DWG #	1010955000
	CHANGE NOTICE	EN 05-E0622	REV LVL	-
			SHEET	1 OF 2

PART ID REF
TS03XXF



0-10dB

11-20dB

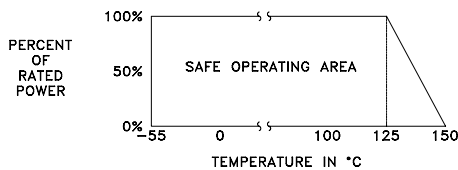
MECHANICAL SPECIFICATIONS:

SUBSTRATE:
 MATERIAL - ALUMINA 96%, MIL-I-10.
 TERMINAL:
 MATERIAL - THICK FILM, LEAD FREE PLATING
 ROHS COMPLIANT.
 RESISTIVE ELEMENT:
 MATERIAL - TANTALUM NITRIDE.



METRIC EQUIVALENTS GIVEN IN [mm]
 FOR REFERENCE INFORMATION ONLY

POWER RATING AND DERATING



EMC Technology
 8851 SW OLD KANSAS AVE
 STUART, FL 34997
 PHONE NO. (772)286-9300
 FAX NO. (772)283-5286

UNLESS OTHERWISE SPECIFIED DIMENSIONS ARE IN INCHES
TOLERANCES
 FRACT ---
 ANG ---
 XX ---
 XXX ±0.005
 XXXX ---

THESE DRAWINGS AND SPECIFICATIONS ARE THE PROPERTY OF EMC TECHNOLOGY INC AND SHALL NOT BE DUPLICATED OR USED AS BASIS FOR THE MANUFACTURE OR SALE OF PARTS OR DEVICES WITHOUT PERMISSION.

CAGE CODE 24602	SCALE 10:1	DRAWN BY MWS 9/20/05	CHECKED BY	APPROVED BY
REV -	CHANGE NOTICE EN 05-E0622	DRAWING NO 1010955000	SHEET 2 OF 2	