

TITLE: SPECIFICATION CONTROL DRAWING

PART IDENTIFIER: KFAXX.00-X
 X FREQUENCY RANGE SEE TABLE 1
 XX ATTENUATION VALUE

TABLE 1

NUMBER CODE	FREQUENCY RANGE (GHZ)
5	16-36

DESCRIPTION: CHIP ATTENUATOR (K-BAND).

ASSEMBLY DWG: 1902154

1.0 SPECIFICATIONS:

- 1.1 ELECTRICAL:
 - 1.1.1 OPERATING FREQUENCY RANGE (BANDWIDTH): SEE TABLE 1.
 - 1.1.2 ATTENUATION VALUES: 1-10 DB
 - 1.1.3 ATTENUATION TOLERANCE ± 0.75 dB .
 - 1.1.4 POWER DISSIPATION: 200 mW @ +100°C, DERATED LINEARLY TO ZERO WATT @ +150°C.
 - 1.1.5 VSWR: 1.35:1 TYPICAL.
- 1.2 MECHANICAL:
 - 1.2.1 OUTLINE DWG AND DERATING CURVE: SEE SHEET 2.
 - 1.2.2 WORKMANSHIP: PER MIL-PRF-55342.
- 1.3 ENVIRONMENTAL:
 - 1.3.1 OPERATING TEMPERATURE RANGE: -55°C TO +150°C.
 - 1.3.2 STORAGE TEMPERATURE: -55°C TO +150°C.

2.0 UNIT MARKING: DB VALUE
 LEGIBILITY AND PERMANENCY PER MIL-STD-130.

3.0 QUALITY ASSURANCE:

- 3.1 SAMPLE INSPECT PER ANSI/ASQC Z1.4 GENERAL INSPECTION, LEVEL II, AQL = 1.0.
 - 3.1.1 VISUAL AND MECHANICAL EXAMINATION FOR CONFORMANCE TO OUTLINE DWG REQUIREMENTS.
 - 3.1.2 MEASURE DCR ACCORDING TO TABLE 2

TABLE 2

dB value	DCR (ohms)	Tolerance
0.0	Continuity only	
1.0	10.35	10.0%
2.0	21.15	10.0%
3.0	32.40	10.0%
4.0	43.00	8.0%
5.0	55.00	8.0%
6.0	66.00	8.0%
7.0	59.00	5.0%
8.0	70.00	5.0%
9.0	80.00	5.0%
10.0	93.00	5.0%

3.3 INSPECTION IN ACCORDANCE WITH 824W170 AND 824F036 FOR COMMERCIAL GRADE PRODUCT.

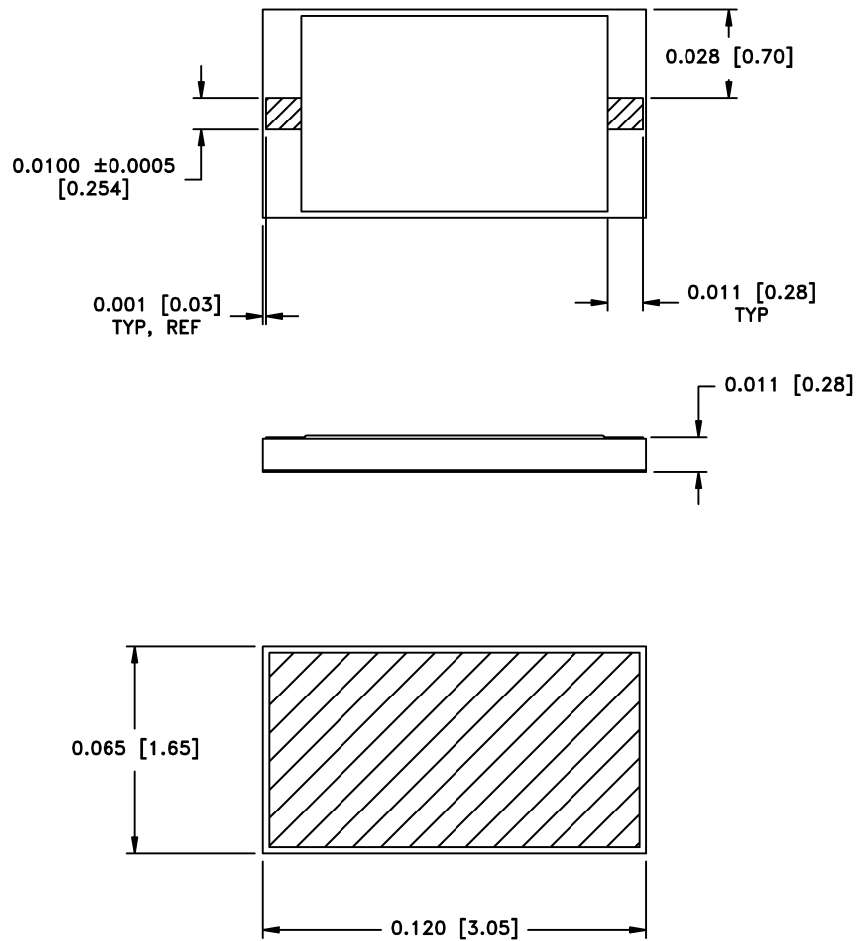
- 3.4 TEST DATA REQUIREMENTS:
 - 3.4.1 NO TEST DATA REQUIRED FOR CUSTOMER.
 - 3.4.2 DATA RETENTION – 24 MONTHS.

4.0 PACKAGING: STANDARD WAFFLE PACKING PER 755W002

EMC TECHNOLOGY 8851 SW OLD KANSAS AVE. STUART, FL 34997	CAGE CODE # 24602		DWG #	1011765000
	CHANGE NOTICE	EN 09-E0536	REV LVL	B
			SHEET	1 <u>OF</u> 2

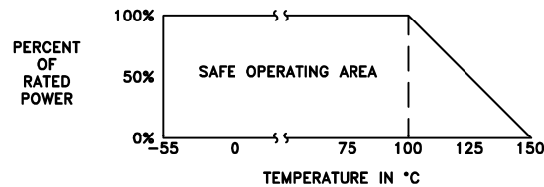
PART ID REF

KFAXX.XX-X

**MECHANICAL SPECIFICATIONS:**

SUBSTRATE:
MATERIAL - ALUMINA, MIL-I-10.
TERMINAL:
MATERIAL - THICK FILM, BONDABLE GOLD.
GROUND PLANE:
MATERIAL - THICK FILM.
PROTECTIVE COATING:
MATERIAL - EPOXY BASED.
RESISTIVE ELEMENT:
MATERIAL - THICK FILM.

METRIC EQUIVALENTS GIVEN IN [mm]
FOR REFERENCE INFORMATION ONLY

POWER RATING AND DERATING

8851 SW OLD KANSAS AVE
STUART, FL 34997
PHONE NO. (772)286-9300
FAX NO. (772)283-5286

UNLESS OTHERWISE
SPECIFIED DIMENSIONS
ARE IN INCHES

TOLERANCES
FRACT --- ---
ANG --- ---
XX --- ---
XXX ± 0.005
XXXX --- ---

THESE DRAWINGS AND SPECIFICATIONS ARE THE PROPERTY OF EMC TECHNOLOGY INC AND SHALL NOT BE DUPLICATED OR USED AS BASIS FOR THE MANUFACTURE OR SALE OF PARTS OR DEVICES WITHOUT PERMISSION.

CAGE CODE 24602	SCALE N/A	DRAWN BY CRH 10/03/08	CHECKED BY	APPROVED BY
REV B	CHANGE NOTICE EN 09-E0536	DRAWING NO 1011765000	SHEET 2 OF 2	