

10-32-M CONNECTOR
RG174 RG316 CRIMP

SC5560

SPECIFICATIONS

ELECTRICAL:

FREQUENCY: 0-2 GHZ
VSWR 1.3:1 MAX
IMPEDANCE: 50 OHMS
OP. TEMP RANGE: -55C- +155C

MECHANICAL:

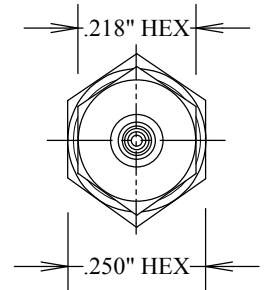
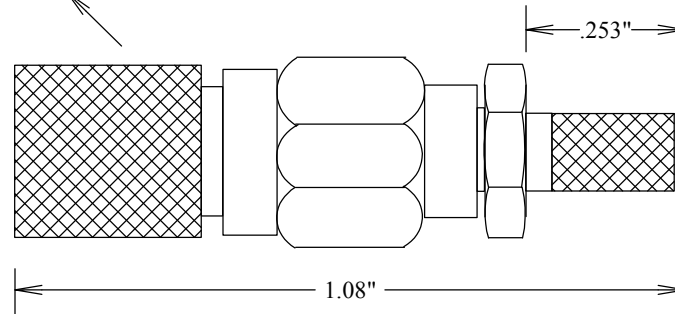
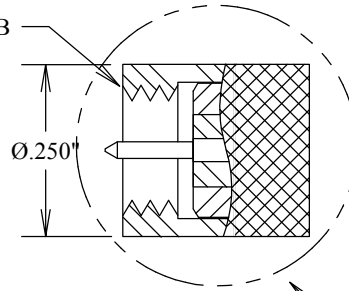
MATERIAL BODY: Ni PLATED BRASS
CENTER CONTACT: BRASS
CONTACT PLATING: Au MIL-G-45204
INSULATOR: TEFLON
INTERFACE: MIL-STD-348A
ROHS COMPLIANT

ASSEMBLY PROCEDURE

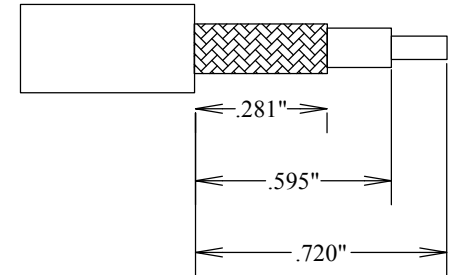
STRIP CABLE AS SHOWN,
SLIDE ON CRIMP TUBE,
INSTALL CABLE INTO CRIMP NUT ASSEMBLY,
PUSH CABLE FORWARD UNTIL BOTTOMS OUT,
SOFT SOLDER CENTER CONDUCTOR THRU SIDE HOLE,
SLIDE CRIMP TUBE UP, CRIMP,
THREAD COMPLETED ASSEMBLY INTO BODY,
TIGHTEN

#10-32 UNEF-2B

Ø.250"



STRIPPING DIMENSIONS



				FAIRVIEW MICROWAVE INC.	
				ALLEN, TX 75013 WWW.FAIRVIEWMICROWAVE.COM	
				TITLE	
				10-32-M CONNECTOR RG174 RG316 CRIMP	
SIZE	CAGE CODE	DWG NO	REV		
A	3FKR5	SC5560	B		
SCALE			SHEET		