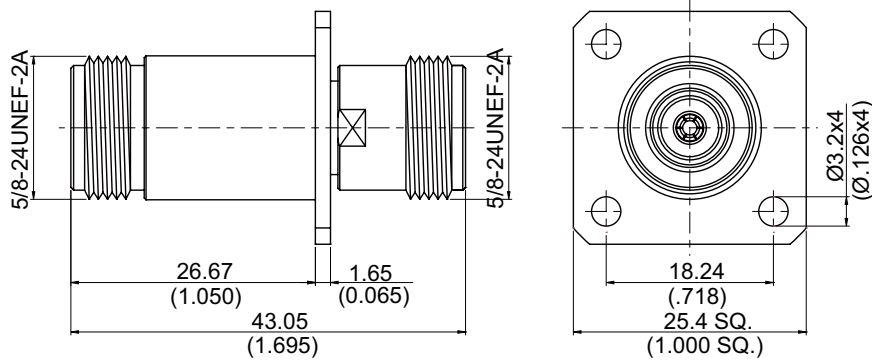


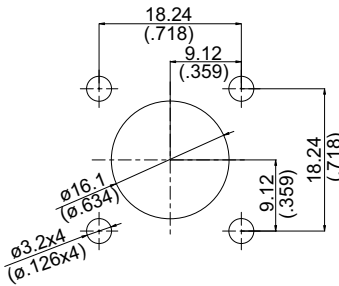
AD-N8N8-P4-18

18GHz Precision N Jack To N Jack
For Panel Receptacle

50Ω



MOUNTING HOLE:



Typical VSWR

Part Number	1GHz	2GHz	3GHz	4~9GHz	10GHz	11~18GHz
AD-N8N8-P4-18	1.02	1.03	1.04	1.09	1.12	1.16

Parts	Material	Plating (Micro-inch)
Contact Pin	Beryllium Copper	Gold 4 Over Nickel Phosphorous Alloy 80 Over Copper 20
Body	Brass	Tin-Zinc-Copper-Alloy 100 Over Copper 50
Insulator	PTFE	

Weight:

This part number complies with RoHS.

Notice: JYEBAO reserves the right to make modifications deemed appropriate.