

1.0 Mechanical Specifications	
1.1	Waveguide type Flexible Twistable Waveguide WR34
1.2	Flange type CPRG, CPRF, COVER, CHOKE available
1.3	Flange Holes Through
1.4	Basis-material Aluminum, Brass, Alloyed Cuprum, Stainless
1.5	Outer material Neoprene rubber jacketed
1.6	Internal Body Finish Silver Plated chromate or conversion
1.7	External Body Finish Body painted with gray/black epoxy enamel
1.8	External Body Finish Body painted with gray/black epoxy enamel

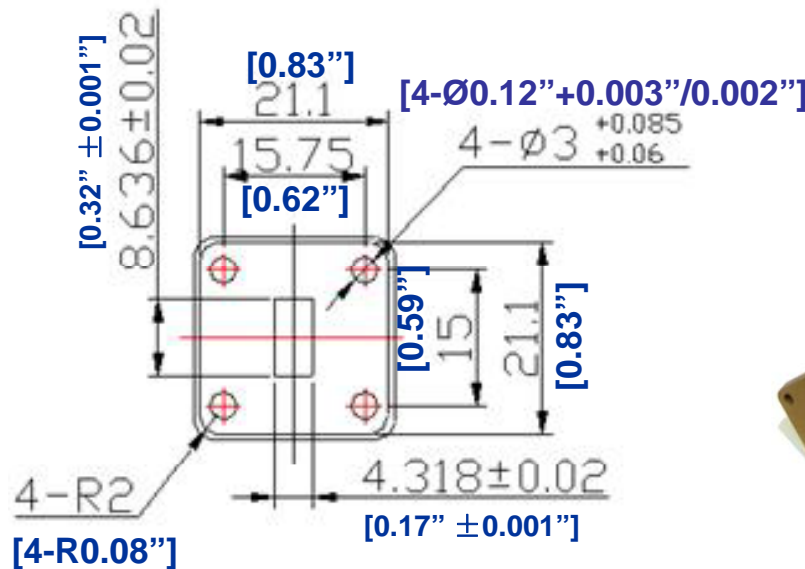
2.0 Environment specifications	
2.1	Operation Temp. -54°C--85°C
2.2	Storage Temp. -60°C--125°C
2.3	Altitude 40000 ft
2.4	Vibration 12.5g rms (15 degree 2KHz)
2.5	Humidity 100% RH at 35c, 95%RH at 50 deg c
2.6	Shock 20G for 11msc

3.0 Electrical Specifications	
3.1	Frequency Range 22-33GHz
3.2	Insertion Loss 2.1dB / m
3.3	Power CW / Peak 750 Watts / 0.02M Watts
3.4	Max. VSWR 1.25:1

Table 4. FLEXIBLE WAVEGUIDE - STANDARD LENGTHS (mm)										
100	200	300	400	500	600	800	900	1000	1200	1500
A	B	C	D	E	F	G	H	I	J	K
◆	◆	◆	◆	◆	◆	◆	◆	◆	◆	◆
◆ Available unjacketed or with bonded silicone jacket										
○ Available unjacketed or in elastomer sleeving										

FLEXIBLE WAVEGUIDE

--- RFWF34



MAX RETURN LOSS (dB)			MIN. CENTRELINE BENDING RADII				MAX. TWIST	
			STATIC	STATIC	REPEAT	REPEAT	STATIC	REPEAT
300mm	600mm	1000mm	E-PLANE	H-PLANE	E-PLANE	H-PLANE	deg/m	deg/m
30.2	27.7	27.2	97	197	397	797	908°	51°

Part Number: **RF W F 34 CF AL S E B**

RF-Lambda
Waveguide
Flexible Waveguide
Waveguide Type Number
Flange Type: CG=CPRG; CF=CPRF; CO=COVER; CK=CHOKE
Material: AL=Aluminum; BS=Brass; AC=Alloyed Cuprum; SS=Stainless
S=STATIC; R=REPEAT
PLANE TYPE: E=E-PLANE; H=H-PLANE
Length: A=100mm; B=200m (Refer Table 4)

PAGE 1 OF 1	DATE Apr 1 st 2008
PROPRIETARY INFORMATION THE INFORMATION CONTAINED IN THIS DOCUMENT IS THE PROPERTY OF RF-LAMBDA EXCEPT AS SPECIFICALLY AUTHORIZED IN WRITINGS BY RF-LAMBDA. THE HOLDER OF THIS DOCUMENT SHALL KEEP ALL INFORMATION CONTAINED HEREIN CONFIDENTIAL AND SHALL PROTECT SAME IN THE WHOLE OR IN PART FROM DISCLOSURE AND DISSEMINATION OF ALL THIRD PARTIES AND SHALL USE SAME FOR OPERATING AND MAINTENANCE PURPOSES ONLY	DESIGN RFPC
	RF-LAMBDA RFPC
	CAD MODEL REVISION 065-23
	ASSEMBLY REVISION VS1124
	ASSEMBLY NAME RFLVR02K
	DRAWING NUMBER D056-2
www.rflambda.com	SIZE LT SHEETS 1 OF 1