



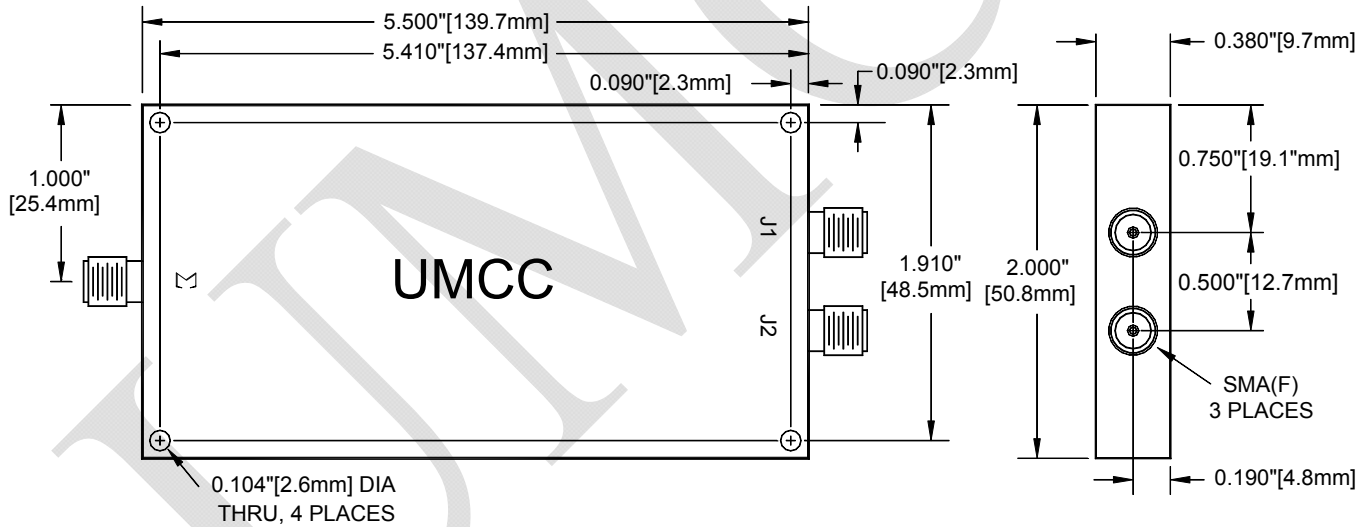
Model: PS-J000-2S

Description:	2-Way Power Divider
Operating Frequency:	0.5-2 GHz
Insertion Loss:	0.4 dB Max
Isolation:	25 dB Min
VSWR:	Σ Port..... 1.25:1 Max
	Outputs..... 1.25:1 Max
Amplitude Balance:	\pm 0.1 dB Max
Phase Balance:	\pm 0.5° Max
Power Handling (@ SUM-Port):	Load VSWR= ∞ 2W AVG/CW Max
	Load VSWR <2:1..... 20W AVG/CW Max
Impedance:	50 Ohms Nominal
Quality:	Best-Commercial-Grade

Environmental Ratings:

Temperature:	{Operating: -55°C to +95°C} & {Storage: -60°C to +110°C}
Humidity:	MIL-STD-202F, Method 103B Cond. B (96 hours at 95% R.H.)
Shock:	MIL-STD-202F, Method 213B, Cond. B (75G, 6mSec)
Vibration:	MIL-STD-202F, Method 204D, Cond. B (.06" double amplitude, or 15G)
Altitude:	MIL-STD-202F, Method 105C, Cond. B (50,000 Feet)
Temp. Shock:	MIL-STD-202F, Method 107D, Cond. A (5 cycles)

Outline



Weight
3.9 oz [110.6 g]