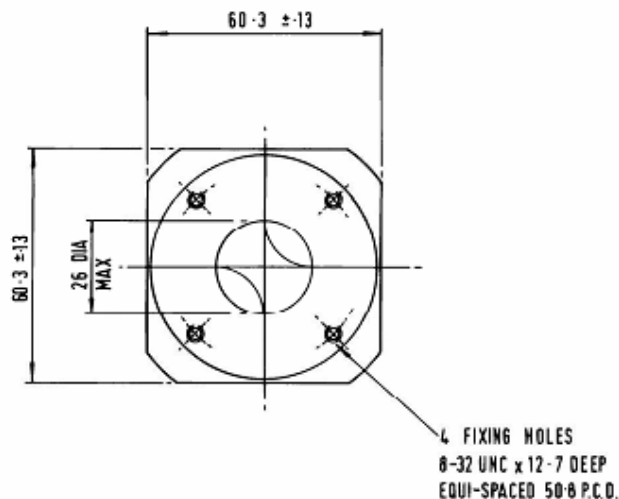
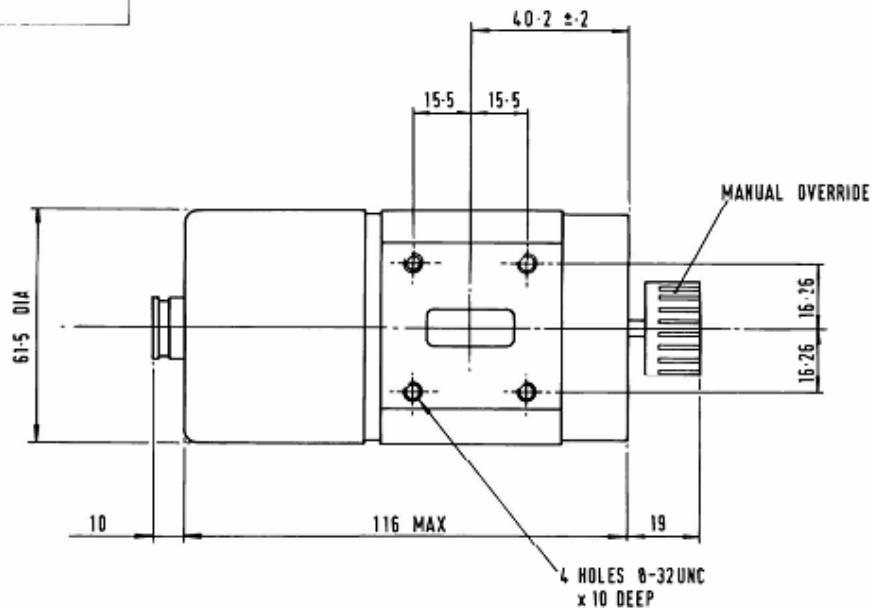


DRAWING NUMBER
A2/M85142/E

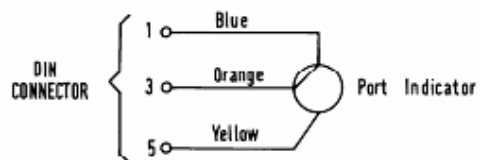
USED ON

3RD ANGLE PROJECTION



SPECIFICATION

FREQUENCY RANGE 8.2 TO 12.4 GHz
 ISOLATION 100 dB
 INSERTION LOSS 0.01 dB approx
 V.S.W.R. 1.05 : 1
 POWER RATING 300 KW PEAK



MOD	ISS	DATE	CHD	APP
	1			

DATE	DATE
TRACED	DES APP ELECT
DATE	DATE
DRAWN	DES APP MECH
DATE	DATE

SCALE 1:1
 MATERIAL
SWITCH BODY
ALUMINIUM ALLOY

SURFACE ROUGHNESS
 DIMENSIONS INCLUDE SURFACE FINISH EXCEPT FOR PAINTING OR LACQUERING
 FINISH
IRIDITE

DIMENSIONS IN MILLIMETRES
 TOLERANCES EXCEPT WHERE STATED:
 NON DECIMAL DIMENSIONS ± 0.50
 ONE PLACE TO 25 TWO PLACES ± 0.10
 UP TO 6 DIA HOLES ± 0.10
 OVER 6 DIA TO 12 DIA HOLES ± 0.20
 OVER 12 DIA TO 30 DIA HOLES ± 0.30
 OVER 30 DIA HOLES AS STATED
 ANGLES ± 0.5°

TITLE
OUTLINE & SPECIFICATION
MWS 16-42 N/P

DRAWING NUMBER
A2/M85142/E