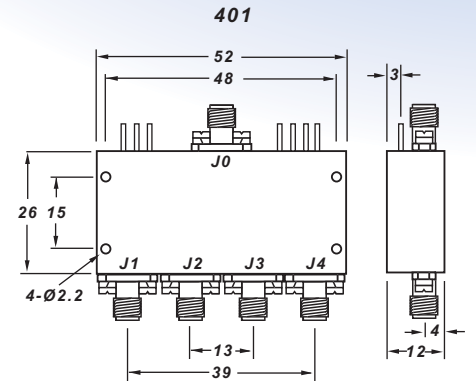
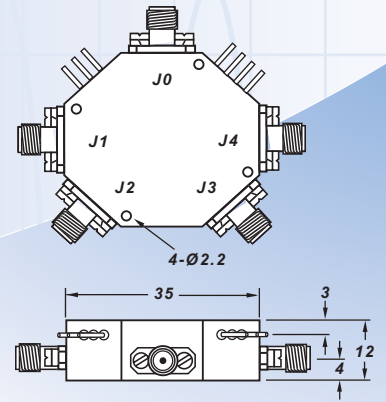


- 0.02 – 18 GHz
- Single Pole Four Throw
- TTL Control
- Absorptive & Reflective
- Octave & Multi-Octave
- High Isolation
- Low Insertion Loss



401  
402 Dimensions in mm

General Specifications	
Impedance	50 ohms
DC Bias	+5 +/-0.5V @ 30mA -5 +/-0.5V @ 30mA
Control	TTL "0" Low Loss TTL "1" Isolation
RF Connectors	SMA female to MIL-C-39012
Bias & Control	Solder Pins
Housing	Passivated Aluminium Standard or Gold Plated Brass Optional
Lid Sealing	Epoxy
Operating Temperature Range	-55 C to +85 C
Custom Options	Higher power, faster speed, higher isolation, non-TTL

## Absorptive Switches

Model No	Frequency Range	Insertion Loss (dB)	VSWR	Isolation (dB)	Switching speed (nsec)	RF Power (W CW)	Package Choice
APS-4001-A	0.02 GHz – 0.5 GHz	1.6	1.5	80	100-500	0.2-1	W401,W402
APS-4002-A	0.02 GHz - 3 GHz	2.7	2.0	60	200	0.2	W401,W402
APS-4003-A	0.5 GHz - 1 GHz	1.7	1.5	80	100	0.2	W401,W402
APS-4004-A	1 GHz - 2 GHz	1.4	1.5	80	50	0.2	W401,W402
APS-4005-A	2 GHz - 4GHz	1.8	1.5	80	50	0.2	W401,W402
APS-4006-A	2 GHz - 18 GHz	3.5	2.2	60	50	0.2	W401,W402
APS-4008-A	4 GHz - 8 GHz	2.2	1.6	60	50	0.2	W401,W402
APS-4009-A	8 GHz - 12 GHz	2.8	1.5	60	50	0.2	W401,W402
APS-4010-A	12 GHz - 18 GHz	3.5	2.0	60	50	0.2	W401,W402

## Reflective Switches

Model No	Frequency Range	Insertion Loss (dB)	VSWR	Isolation (dB)	Switching speed (nsec)	RF Power (W CW)	Package Choice
APS-4001-R	0.02 GHz – 0.5 GHz	1.5	1.5	80	100-500	0.2-1	W401,W402
APS-4002-R	0.5 GHz - 1 GHz	1.6	1.5	80	100	0.2	W401,W402
APS-4003-R	1 GHz - 2 GHz	1.2	1.5	80	50	0.2	W401,W402
APS-4004-R	2 GHz - 4GHz	1.4	1.5	80	50	0.2	W401,W402
APS-4005-R	4 GHz - 8 GHz	1.8	1.6	60	50	0.2	W401,W402
APS-4006-R	8 GHz - 12 GHz	2.1	1.7	60	50	0.2	W401,W402
APS-4008-R	0.02 GHz - 3 GHz	2.5	2.0	60	200	0.2	W401,W402
APS-4009-R	2 GHz - 18 GHz	2.7	2.2	60	50	0.2	W401,W402
APS-4010-R	2 GHz - 18 GHz	2.9	2.2	80	50	0.2	W401,W402

Specifications listed in the table are typical across the whole frequency range of each model.

Max./min. specifications over any specific frequency range may differ and could be significantly better over narrow bands.

For a guaranteed specification over your desired frequency range, together with a detailed mechanical outline, please contact the factory.

We reserve the right to change standard product specifications without notice but will be pleased to consider control drawings for quotation.