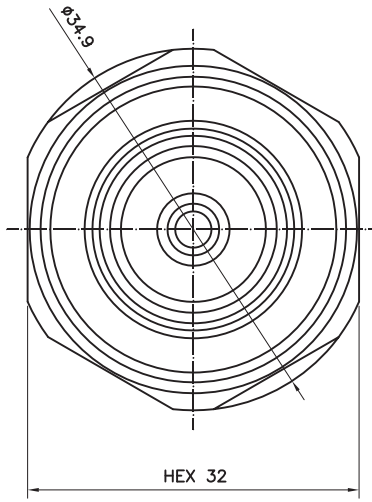
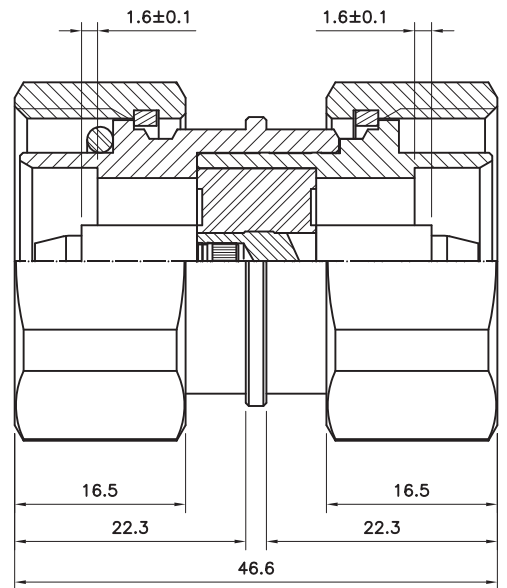


4	5	6	
No.	Revision	Date	Name
△	Change All Dimension	18/06/2013	B.G.YUN
△			

RoHS Compliant



Item	Materials	Plating
Coupling cap	BRASS	SUCO plated
Body	BRASS	SUCO plated(3Micron)
Center contact	BRASS	Silver plated(5Micron)
Insulator	PTFE	-
O-RING	Silicone rubber	-

Environmental data

Frequency range : DC ~ 6GHz
 V.S.W.R : 1.20 : 1 Max
 3rd Order IMD, typical : -122 dBm @ 1800 MHz
 3rd Order IMD Test Method : Two +43 dBm carriers
 Operating Temperature : -45°C ~ 120°C

DIN(M) TO DIN(M) ADAPTOR

NO.	DESCRIPTION	Q'TY	MATERIAL	FINISH	REMARKS.
PARTS No.	1-801-001		NAME	DIN(M) TO DIN(M) ADAPTOR	APPROVED S.J.LEE
MATERIAL	FINISH	TOLERANCES	OTHERWISE SPEC. ±0.05 ANGLES ±1°		CHECKED
		SCALE	UNIT		DESIGNED D.W.KANG
		DWG NO.	mm		DATE. 26/MAR/2012

CAGE. **5AVK2**

Cross RF
 web: www.crossrf.com