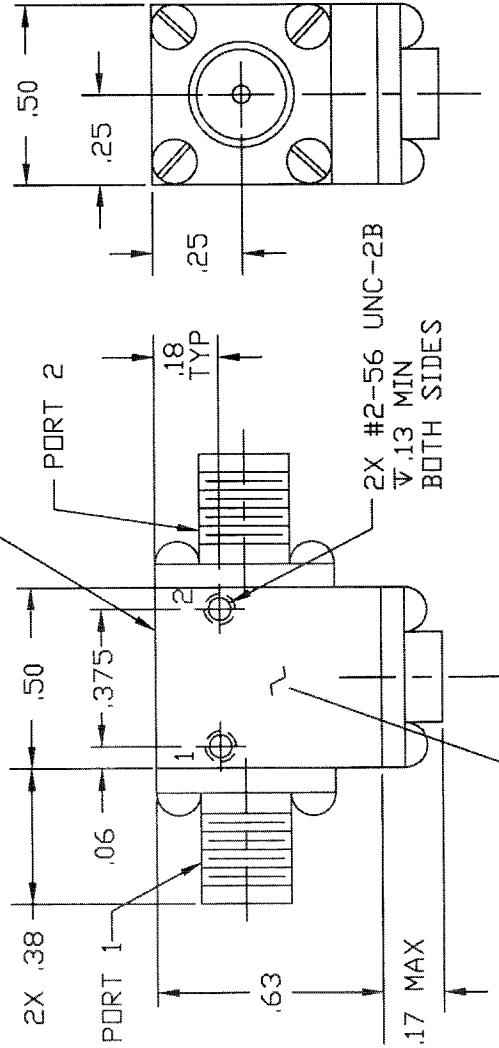


COMPUTER GENERATED DRAWING MANUAL CHANGES NOT AUTHORIZED		REVISIONS	
REV.	DESCRIPTION	DATE	RELEASED BY
NC	INITIAL RELEASE	5-2-94	T. R.
A	REV PER ECR# 5515		

LABEL WITH MODEL NO. AND SERIAL NO. THIS SURFACE



SPECIFICATIONS

- FREQUENCY RANGE----- 10.7 TO 13.0 GHZ
- VSWR----- 1.15:1 MAX
- ISOLATION----- 23 dB MIN
- INSERTION LOSS----- 0.3 dB MAX
- TEMPERATURE
OPERATING:----- -20° TO +65°C
STORAGE:----- -55° TO +100°C

CONNECTOR ORIENTATION			
DASH NO.	PORT 1	PORT 2	PORT 3
NONE	SMA FEMALE	SMA FEMALE	TERMINATION
-1	SMA MALE	SMA FEMALE	TERMINATION
-2	SMA FEMALE	SMA MALE	TERMINATION
-3	SMA MALE	SMA MALE	TERMINATION

NOTE: PART DRAWN IS SMI1013 NO DASH NO.

ITEM NO.	QTY REQ'D	FROM PART OR DISCREPATION NO.	PARTS LIST	NUMBER/LOT USE OR DISCREPATION	MATERIALS DISCREPATION
CONTRACT NO. SMI1013-3					
SIERRA MICROWAVE TECHNOLOGY					
TITLE: OUTLINE FOR SMI1013-X					
APPROVALS	DATE	SIZE	FSCM NO.	DWG NO.	REV
BY: SCHIRMER	4-2-94	B	1CY63	205-1642-001	A
CHECKED: PJC	4-28-94				
DESIGNED BY: RODRIGUEZ	5-2-94				
DATE & POSITION:					
SCALE					
DO NOT SCALE DRAWING					

204-0411-001	SMI1013-3	
204-0410-001	SMI1013-1 & 2	
204-0230-001	SMI1013	
LEFT OF MAT'L	USED ON	APPLICATION