

High Power Single and Dual Directional Couplers



RLC Electronics' high power directional couplers offer accurate coupling, low insertion loss and high directivity in a compact package. The standard units are optimized for 2 octave bandwidths and are

available with a choice of coupling values. These units are ideal for sampling forward and reflected power with a negligible effect on the transmission line and very low intermodulation products.

Specifications

CHP-1040-1-2-3-4, CHP-2080-1-2-3-4

CHP-3012-1-2-3-4, CHP-6018-1-2-3-4

Model Number	Frequency Range (GHz)	Directivity (Min.)	Primary VSWR (Max.)	Secondary VSWR (Max.)	Insertion Loss (Max.)
CHP-1040	1-4	23dB	1.20	1.30	.15dB
CHP-2080-	2-8	21dB	1.25	1.30	.20dB
CHP-3012	3-12	18dB	1.30	1.30	.25dB
*CHP-6018	6-18	14dB	1.50	1.50	.35dB

Impedance: 50 ohms

Power: 500 watts avg., 10kw peak, *250 watts

Accuracy (including frequency variation): +/- 1.0dB

Coupling (nominal): 30, 40 or 50dB

Connectors: Main line-Type "N" (male or female)

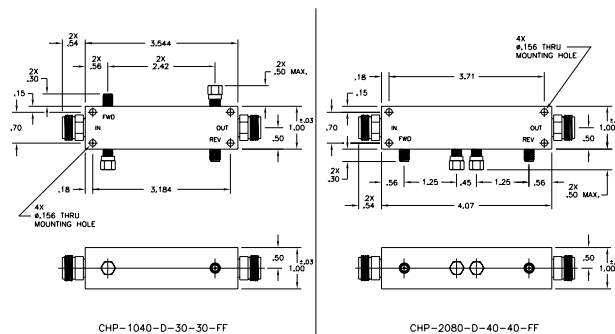
Secondary line-"SMA" female

To designate the coupler desired use:

- (1) S for single, D for dual
- (2) Forward coupling value 30, 40 or 50dB
- (3) Reverse coupling value 30, 40 or 50dB (dual only)
- (4) Main line connectors (input/output)
MM (male/male), FF (female/female),
MF (male/female), FM (female/male),

Example: CHP-2080-D-40-40-FF is a 2-8GHz coupler with "N" female connectors on the main line and 40dB forward and reverse coupling.

OUTLINE DRAWING



Specifications subject to change without notification.

Tolerances unless otherwise specified are .xx +/- .02. xxx +/- .005

Specials requiring closer tolerances, different frequency ranges, special connectors, different materials, finishes, etc. can be furnished upon request.



RLC ELECTRONICS, INC.

83 Radio Circle, Mount Kisco, New York 10549 Telephone 914-241-1334 Fax 914-241-1753
e-mail: sales@rlcelectronics.com www.rlcelectronics.com