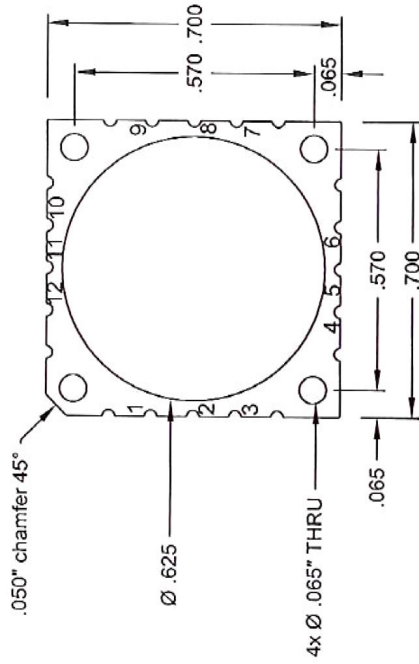
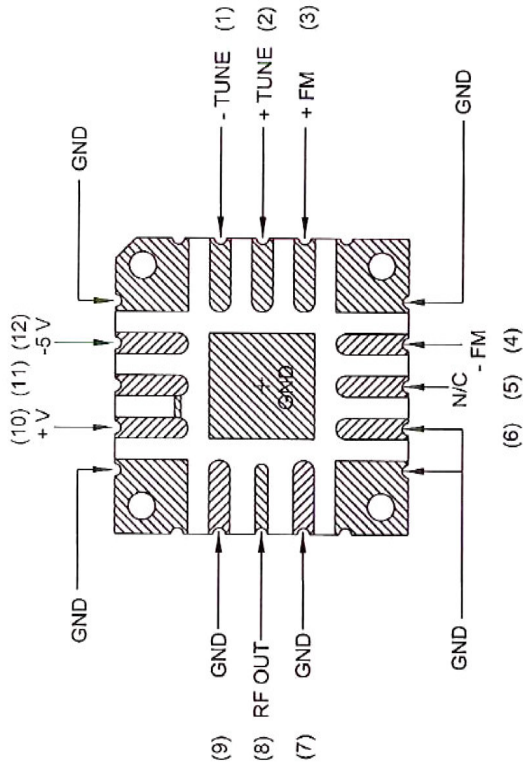


TOP VIEW



BOTTOM VIEW



WEIGHT: .56 Oz. [16g]

NOTES:

1. PCB LAYOUT INFO. AVAILABLE ON REQUEST.
2. TWO +V PINS ARE AVAILABLE FOR CONNECTION [PIN'S 10 & 11], ONLY ONE IS REQ. FOR OPERATION.
3. ALL PCB TRACES ARE GOLD PLATED.
4. HAND SOLDER OR MOUNT WITH (4) #0-80 SCREWS AND #0 LIGHT SPLIT LOCK WASHER/STAINLESS STEEL.
5. NO REFLOW SOLDER OR SUBMERSED CLEANING.

ABSOLUTE MAXIMUM RATINGS:

+ V = -0.3V TO +8.5V ; -V = +0.3V TO -5.5V
 FM COIL ≤ 250mA ; TUNE COIL ≤ 1200mA

REV	DESCRIPTION	DATE	APPROVED

UNLESS OTHERWISE SPECIFIED DIMENSIONS ARE IN INCHES TOLERANCE ARE: * FRACTIONS DECIMALS ANGLES . .XX .0XX .010		CONTRACT NO.	
MATERIAL		APPROVALS	DATE
FINISH		DRAWN N. NGUYEN	3/27/12
DO NOT SCALE DRAWING		CHECKED DS	3/27/12
		ISSUED	
		SCALE	SHEET
		CAGE NO. 0RN63	DWG. NO. 99-0091-009
		SIZE	REV.
		MICRO LAMBDA WIRELESS, INC.	
		SURFACE MOUNT YIG OSC. (.7" X .7 X .562" HIGH)	