

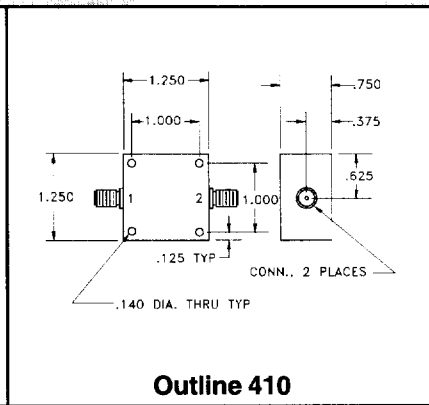
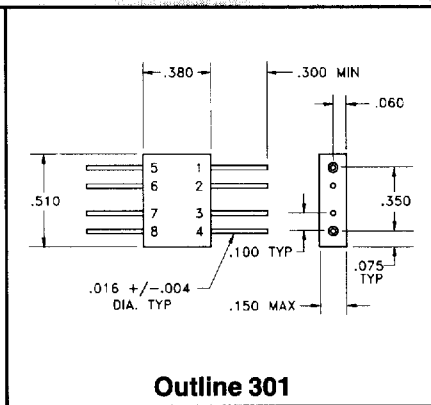
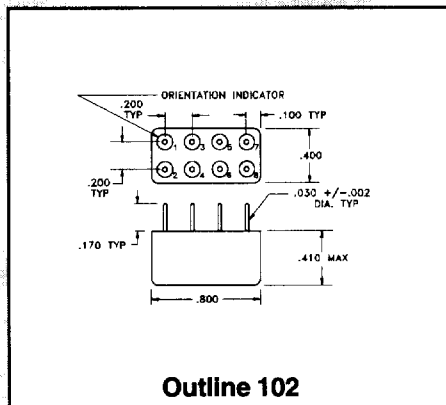
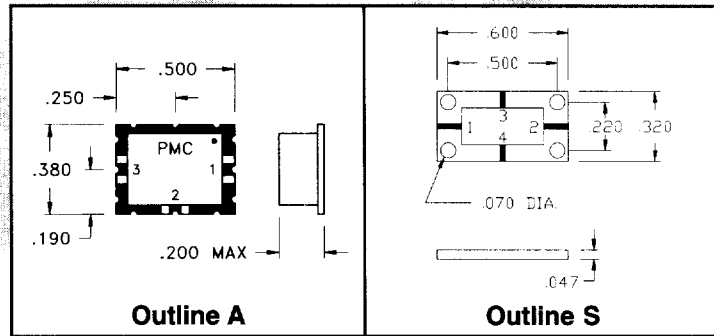
FREQUENCY DOUBLERS

Frequency Range Input (MHz)	Frequency Range Output (MHz)	Input Power Nominal (dBm)	Conversion Loss @ F2 (dB) max.	Conversion Loss @ F4 (dB) typ.	(1) Spurious		P/N
					F1 (dBc)	F3 (dBc)	
0.2-500	0.4-1000	+10	11.0	20.0	20	25	FX-01-*
1-500	2-1000	+10	12.0	20.0	20	25	FX-02-*
50-1000	100-2000	+10	12.0	20.0	20	22	FX-03-*
75-1500	150-3000	+10	12.0	20.0	20	20	FX-04-*
50-2100	100-4200	+10	13.0	20.0	16	25	FX-05-*
300-3000	600-6000	+10	13.0	20.0	16	25	FX-06-*
3000-6000	6000-12000	+10	13.0	20.0	20	25	FX-07-S

* Available in outline # 102, 301, 410, & A
SMA female connectors standard on outline # 410, refer to page 96 for more information.

Notes: (1) With respect to F2.

Port Configuration			
Outline	Input	Output	Ground
102	1	8	2-7
301	1	8	2-7
410	1	2	Housing 4 Corners
A	1	3	-
S	1	2	-



Miscellaneous Components

48 Industrial West • Clifton, NJ 07012 • Tel: (973) 779-6262 • Fax: (973) 779-2727
Web Site: www.pulsarmicrowave.com • E-Mail: sales@pulsarmicrowave.com