

SA11-120-1.3V/1384

COBHAM

Sector Antenna

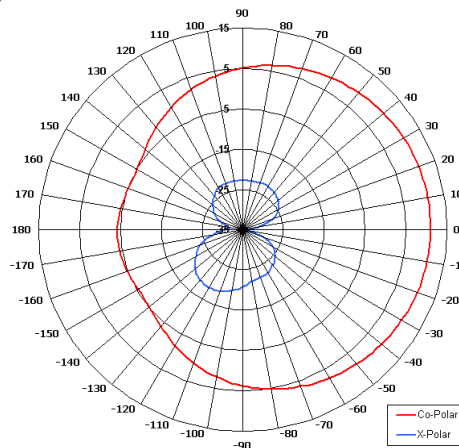
The most important thing we build is trust

Designed for COFDM Applications

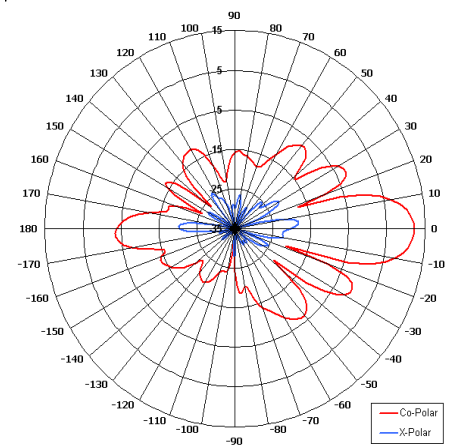
Suitable for Multiple Applications

Wide Band

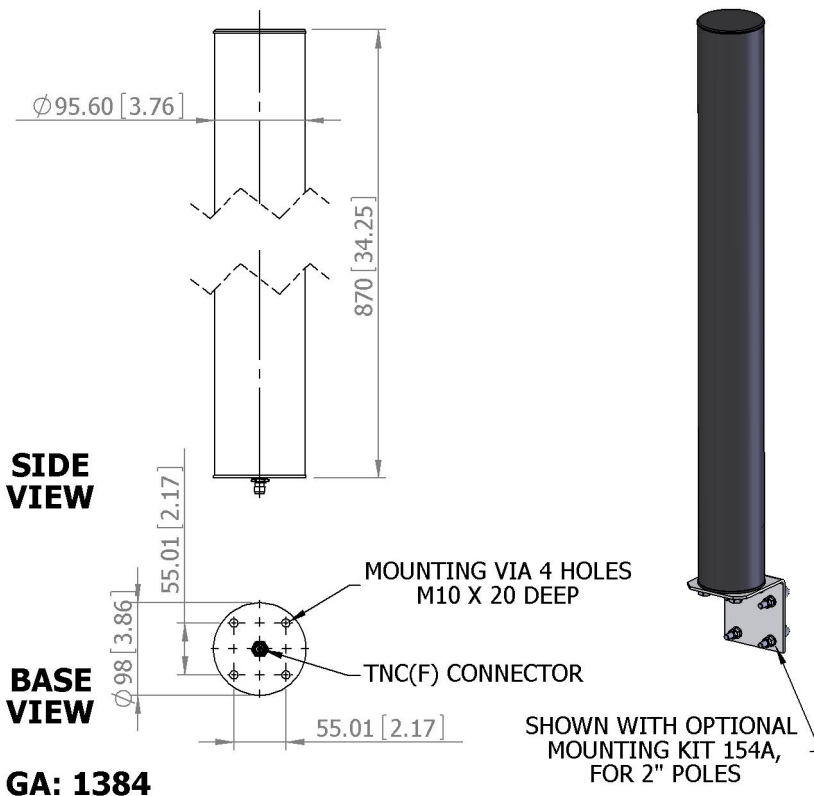
Compact



Azimuth Pattern



Elevation Pattern



GA: 1384

ELECTRICAL

Frequency	1.15 - 1.40 GHz
Gain	11.5 dBi
Polarisation	Linear (Vertical)
Beamwidth	120° (Az) x 16° (El) Approx
Cross Polar	>25 dB
VSWR	2:1 max, 1.5:1 Typ
Power Rating	50 W
Front to Back	>15 dB

MECHANICAL

Standard Finish	Matt Black
Mass	1.6 Kg (3.52 lbs)
Temperature	-40° to +60°C
Wind Loading	11 Kg (24 lbs) @ 100mph

MOUNTING OPTIONS

Kits Available	154A
See separate data sheets	

ADDITIONAL NOTES

Issued 020910

European Antennas Limited trading as Cobham Antenna Systems, Microwave Antennas

European Antennas Limited has a policy of continuous development and stress that the information provided is a guide only and does not constitute an offer or contract or part thereof. Whilst every effort is made to ensure the accuracy of the information contained in this brochure, no responsibility can be accepted for any errors or omissions.

The copyright of antenna designs and images is copyright protected and owned by European Antennas Limited.
©European Antennas Limited

For further information please contact:

Cobham Antenna Systems, Microwave Antennas
Lambda House, Cheveley,
Newmarket, Suffolk CB8 9RG, UK.
Tel +44 (0)1638 732 177
Fax +44 (0) 1638 731999
Email antennasystems.ma@cobham.com