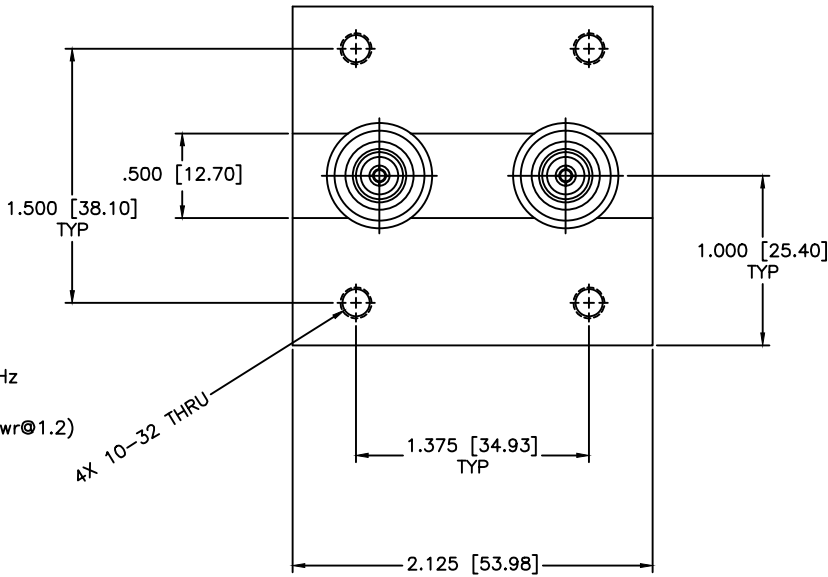
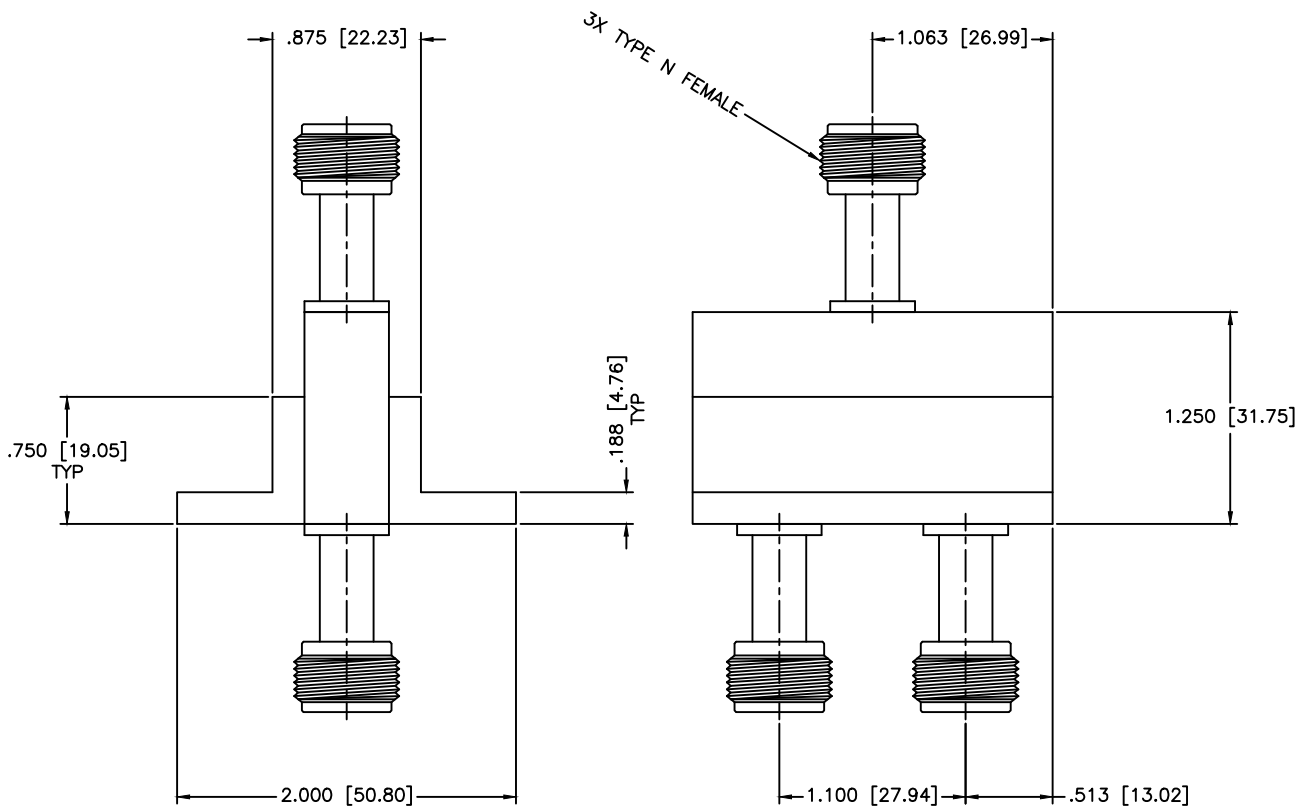


REVISIONS				
ZONE	REV	DESCRIPTION	DATE	APPROVED



**SPECIFICATIONS**

- Frequency Range: 7.25–7.75 GHz
- Insertion Loss: 0.6dB Max.
- Isolation: 15dB Min.
- VSWR: 1.25:1 Max.
- Phase Balance:  $\pm 0.5$  Deg. at 40MHz
- Amplitude Balance:  $\pm 0.5$ dB at 40MHz
- Power: 30 Watts (Load vswr@1.2)

MATERIAL:	
DRAWN:	DATE:
Paiboon Luekhamhan	10-08-2005
APPROVED:	DATE:
T. Nguyen	10-08-2005



MICROWAVE COMMUNICATIONS LABORATORIES INC.  
7255 30TH AVE. N. SAINT PETERSBURG, FL 33710  
TEL: (727) 344-6254 FAX: (727) 381-6116  
http://WWW.MCLI.COM

SCALE:	N/A
SHEET:	N/A

UNLESS OTHERWISE SPECIFIED:  
TOLERANCES  
IN (INCHES) OR [mm] (MILLIMETERS)  
FRACTIONS:  $\pm 1/64$   
DECIMALS:  $\pm 0.01 \pm 0.005$   
ANGLE:  $\pm 1/2^\circ$

DRAWING TITLE:			
2-WAY POWER DIVIDER			
PART NO.			
PS2-106/NF			
CAGE CODE:	SIZE:	REV:	DWG. NO.
OD2L5	N/A	N/A	82450
DO NOT SCALE THE DRAWING			

