



# EUROPEAN ANTENNAS

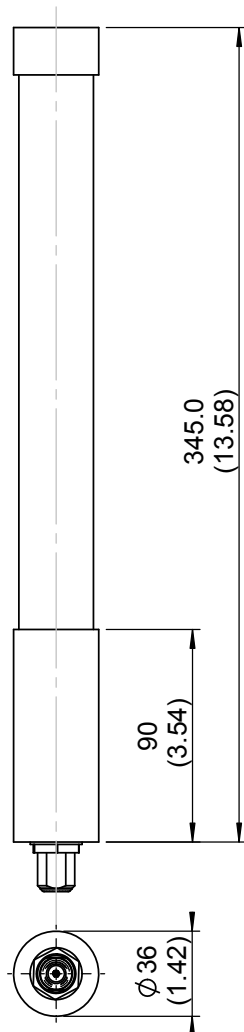
Excellence through design  
Creative in concept

## PCS1900 VERTICALLY POLARISED OMNI ANTENNA OPTIMISED FOR GAIN BELOW THE HORIZON

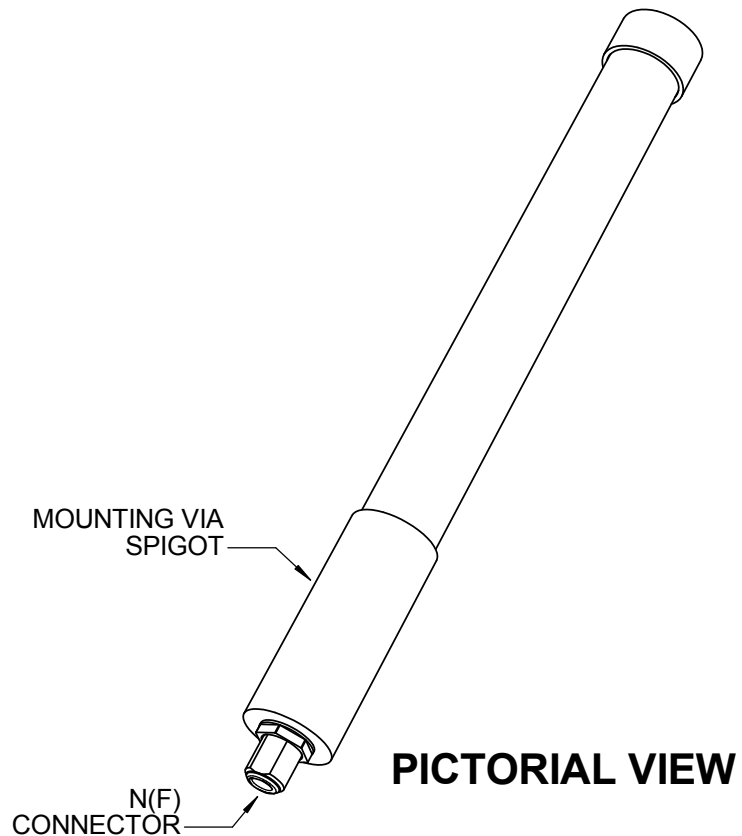
### MODEL: VOA4-1920-DT/1069

<b>FREQUENCY:</b>	1.85 - 1.99 GHz	<b>GAIN:</b>	4 dBi Min. on Peak, 2.5 dBi Typ. on - Horizon, 0 dBi Min. at -40°
<b>POLARISATION:</b>	Linear (Vertical)	<b>BEAMWIDTH:</b>	360° (Az.) x 40° (El.) Approx.
<b>CROSS POLAR:</b>	30 dB Typical	<b>VSWR:</b>	1.5 : 1
<b>ELECTRICAL TILT:</b>	15° Down	<b>FRONT TO BACK:</b>	N/A
<b>POWER RATING:</b>	50 W	<b>MASS:</b>	200g / 0.44 lbs
<b>TEMPERATURE:</b>	-40° to +60°C	<b>WIND LOADING:</b>	1.6 Kg / 3.5 lbs @ 100 mph
<b>FINISH:</b>	Gloss White		

### SIDE VIEW



### END VIEW



<b>DIMENSIONS:</b> mm (inches)	<b>M</b>
<b>GA:</b> 1069-2	<b>Issued:</b> 121104

EUROPEAN ANTENNAS LTD.

LAMBDA HOUSE, CHEVELEY  
NEWMARKET, SUFFOLK, CB8 9RG,  
UNITED KINGDOM

Tel: +44 (0)1638 731888  
Fax: +44 (0)1638 731999

E-Mail: [sales@european-antennas.co.uk](mailto:sales@european-antennas.co.uk)  
Website: [www.european-antennas.co.uk](http://www.european-antennas.co.uk)