



Analog Phase Shifter, 5 GHz to 18 GHz, With an Adjustable Phase of 40 Deg. Per GHz and SMA

TECHNICAL DATA SHEET

PE82P2000

The PE82P2000 is an Analog Phase Shifter with 400 Deg Typ Phase Range with a Control Voltage Range of 0- 10 VDC and a Modulation Bandwidth of 50 MHz over the Operating Frequency Range from 5 GHz to 18 GHz. The PE82P2000 is offered in a slim line housing measuring only 0.5" Height.

Features

- Analog Phase Shifter
- 5 GHz to 18 GHz Frequency Range
- 400 Deg Typ Phase Shift
- 0 - 10 VDC Control Voltage Range
- 1 Watt CW Max Input Power
- Insertion Loss 8 dB Typ
- 50 MHz Modulation Bandwidth

Applications

- Electronic Warfare
- Test & Measurement
- Military & Space
- Radar
- Military Communications Systems
- Phased Arrays
- Tracking Systems
- Direction Finding Systems

Electrical Specifications (Values at 25°C, sea level)

Description	Minimum	Typical	Maximum	Units
Frequency Range	5		18	GHz
Phase Shift Range				
5 to 10 GHz	180°	400°		
10 to 13 GHz	135°	200°		
13 to 18 GHz	45°	120°		
Insertion Loss				
5 to 10 GHz		8	12	dB
10 to 18 GHz		4	7	dB
Return Loss (In/Out)		8		dB
Control Voltage Range	0		10	Volts
Modulation Bandwidth		50		MHz
Phase Voltage Sensitivity		40		Deg/Volt
Insertion Phase Temp Sensitivity		0.5		Deg/Volt
Power Handling Capability				
Without Degradation			1	Watts

Absolute Maximum Rating

Parameter	Rating	Units
-----------	--------	-------

Click the following link (or enter part number in "SEARCH" on website) to obtain additional part information including price, inventory and certifications: [Analog Phase Shifter, 5 GHz to 18 GHz, With an Adjustable Phase of 40 Deg. Per GHz and SMA PE82P2000](#)



Analog Phase Shifter, 5 GHz to 18 GHz, With an Adjustable Phase of 40 Deg. Per GHz and SMA

TECHNICAL DATA SHEET

PE82P2000

Control Voltage	11	Volts
Reverse Current	5	mA
Input Power	30	dBm

Mechanical Specifications

Size

Length	1.08 in [27.43 mm]
Width	0.71 in [18.03 mm]
Height	0.29 in [7.37 mm]

Environmental Specifications

Temperature

Operating Range	-55 to +85 deg C
Storage Range	-65 to +150 deg C

Humidity	MIL-STD-202F, METHOD 103B COND. B
Shock	MIL-STD-202F, METHOD 213B COND. B
Vibration	MIL-STD-202F, METHOD 204D COND. B
Altitude	MIL-STD-202F, METHOD 105C COND. B
Temperature Cycle	MIL-STD-202G, METHOD 107D COND. A

Compliance Certifications (visit www.Pasternack.com for current document)

RoHS Compliant

Plotted and Other Data

Notes:

- Values at +25 °C, sea level
- ESD Sensitive Material, Transport material in Approved ESD bags. Handle only in approved ESD Workstation.

Click the following link (or enter part number in "SEARCH" on website) to obtain additional part information including price, inventory and certifications: [Analog Phase Shifter, 5 GHz to 18 GHz, With an Adjustable Phase of 40 Deg. Per GHz and SMA PE82P2000](#)



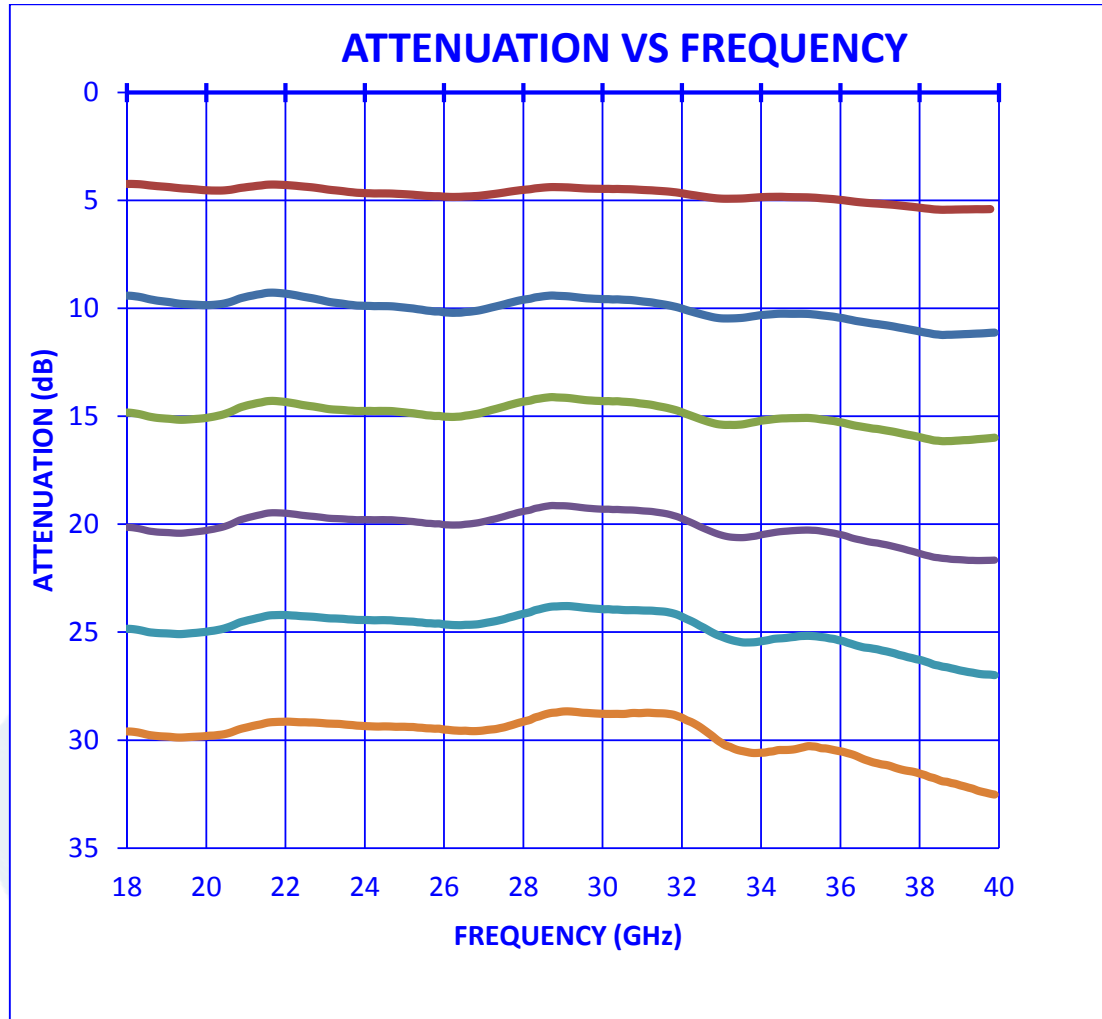


Analog Phase Shifter, 5 GHz to 18 GHz, With an Adjustable Phase of 40 Deg. Per GHz and SMA

TECHNICAL DATA SHEET

PE82P2000

Power Data



Click the following link (or enter part number in "SEARCH" on website) to obtain additional part information including price, inventory and certifications: [Analog Phase Shifter, 5 GHz to 18 GHz, With an Adjustable Phase of 40 Deg. Per GHz and SMA PE82P2000](#)

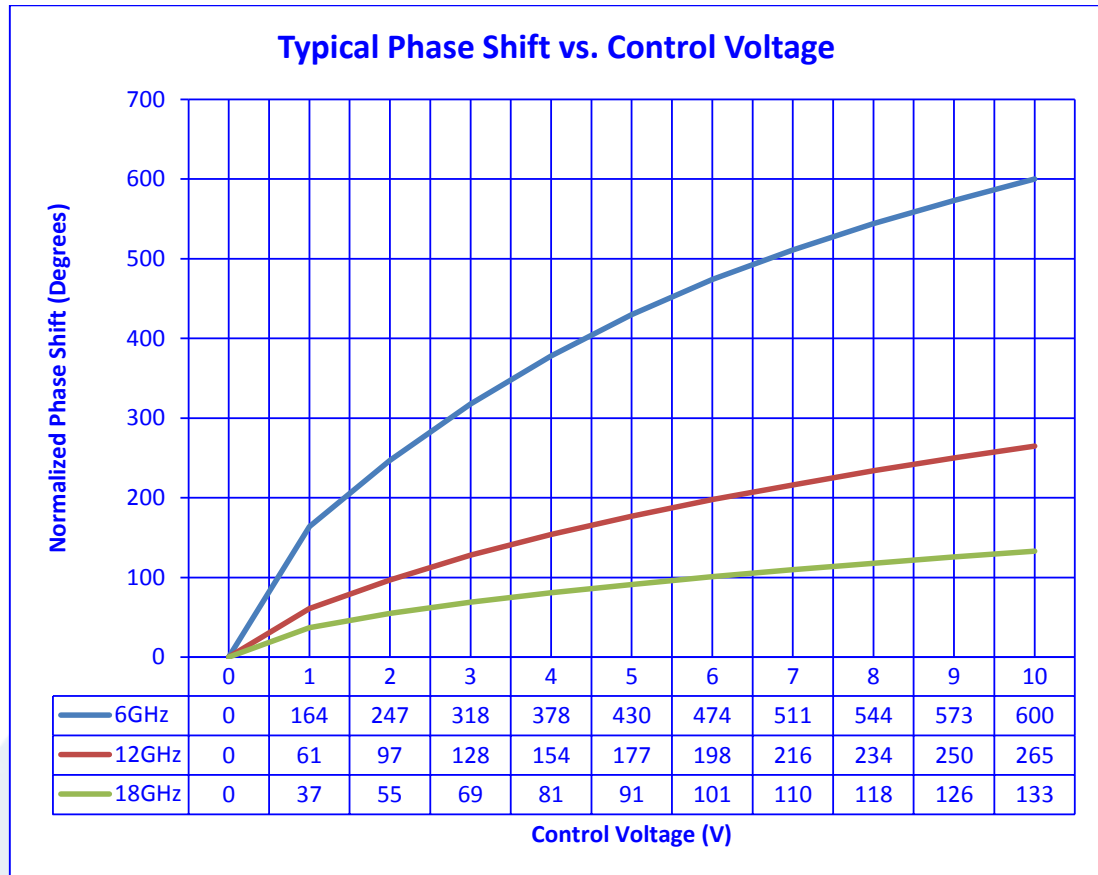




Analog Phase Shifter, 5 GHz to 18 GHz, With an Adjustable Phase of 40 Deg. Per GHz and SMA

TECHNICAL DATA SHEET

PE82P2000



Click the following link (or enter part number in "SEARCH" on website) to obtain additional part information including price, inventory and certifications: [Analog Phase Shifter, 5 GHz to 18 GHz, With an Adjustable Phase of 40 Deg. Per GHz and SMA PE82P2000](#)

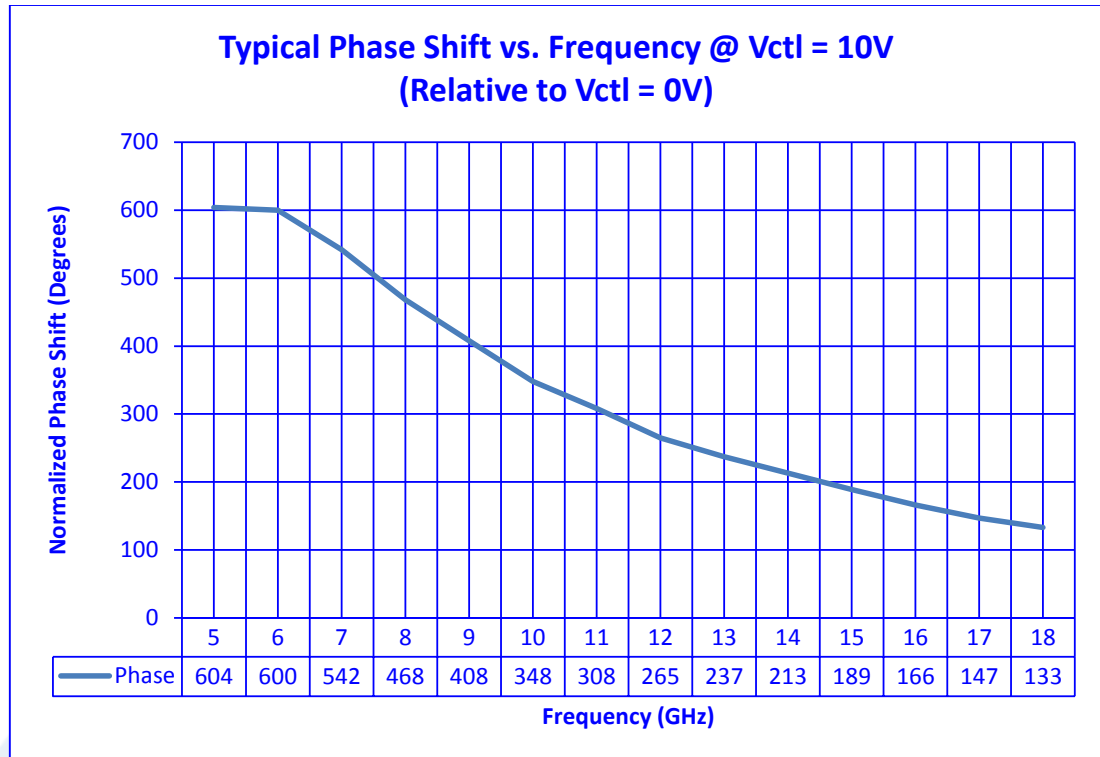




Analog Phase Shifter, 5 GHz to 18 GHz, With an Adjustable Phase of 40 Deg. Per GHz and SMA

TECHNICAL DATA SHEET

PE82P2000



Click the following link (or enter part number in "SEARCH" on website) to obtain additional part information including price, inventory and certifications: [Analog Phase Shifter, 5 GHz to 18 GHz, With an Adjustable Phase of 40 Deg. Per GHz and SMA PE82P2000](#)



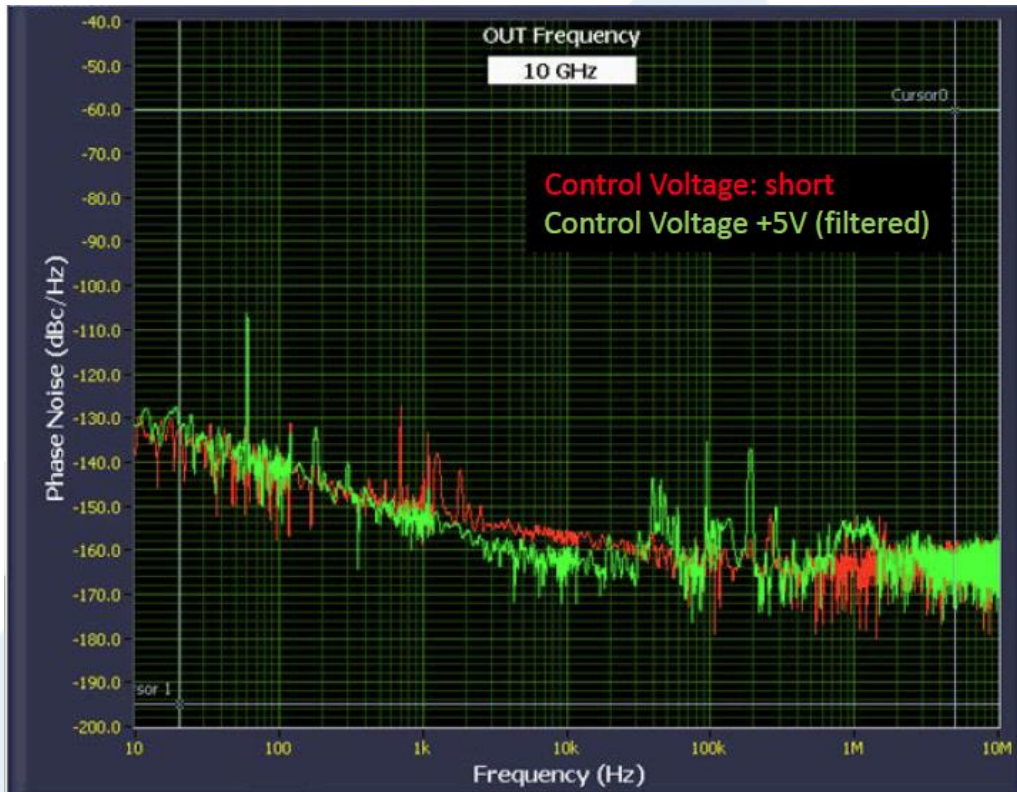


Analog Phase Shifter, 5 GHz to 18 GHz, With an Adjustable Phase of 40 Deg. Per GHz and SMA

TECHNICAL DATA SHEET

PE82P2000

Phase Noise Plot



Frequency = 10GHz
Input Power = +8dBm

Click the following link (or enter part number in "SEARCH" on website) to obtain additional part information including price, inventory and certifications: [Analog Phase Shifter, 5 GHz to 18 GHz, With an Adjustable Phase of 40 Deg. Per GHz and SMA PE82P2000](#)





Analog Phase Shifter, 5 GHz to 18 GHz, With an Adjustable Phase of 40 Deg. Per GHz and SMA

TECHNICAL DATA SHEET

PE82P2000

Analog Phase Shifter, 5 GHz to 18 GHz, With an Adjustable Phase of 40 Deg. Per GHz and SMA from Pasternack Enterprises has same day shipment for domestic and International orders. Our RF, microwave and millimeter wave products maintain a 99% availability and are part of the broadest selection in the industry.

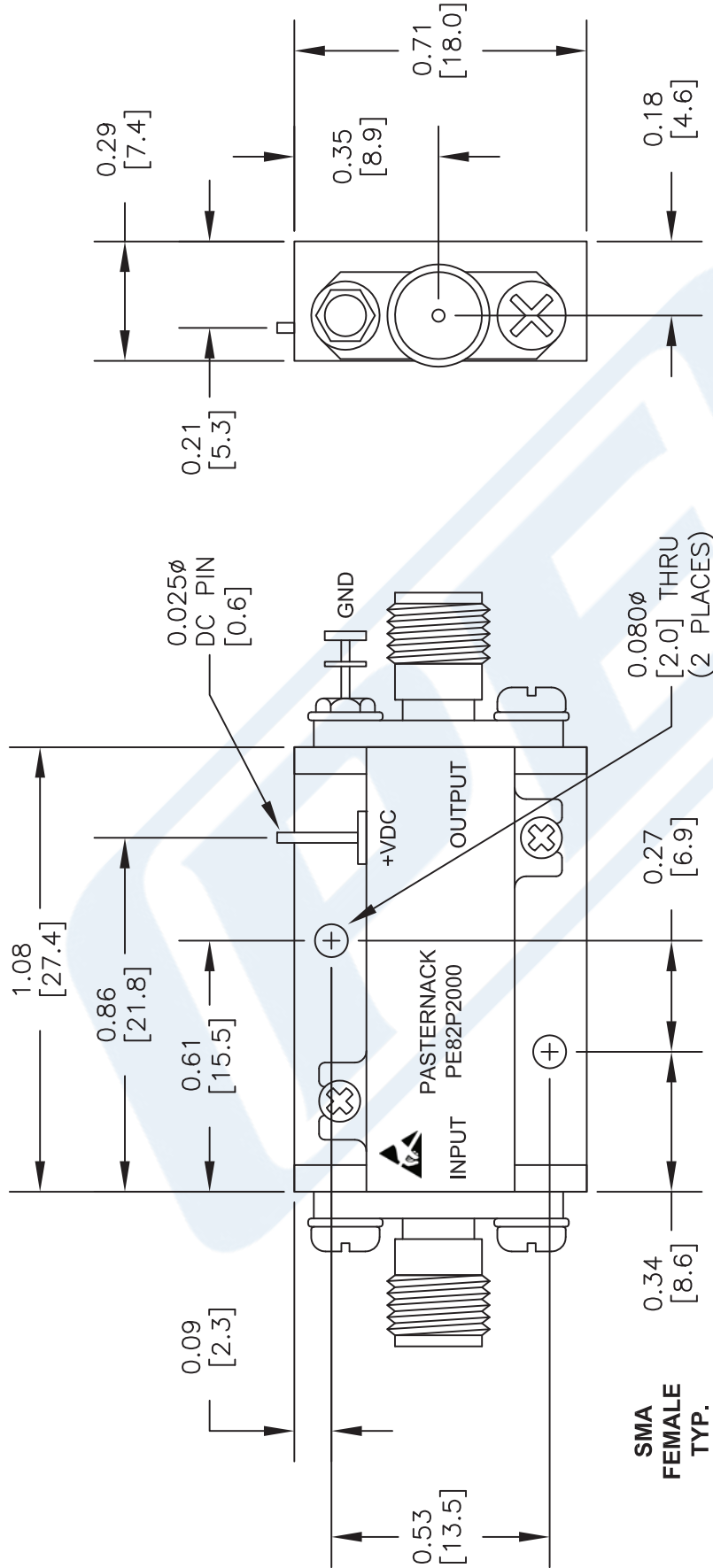
Click the following link (or enter part number in "SEARCH" on website) to obtain additional part information including price, inventory and certifications: [Analog Phase Shifter, 5 GHz to 18 GHz, With an Adjustable Phase of 40 Deg. Per GHz and SMA PE82P2000](http://www.pasternack.com/analog-phase-shifter-18-ghz-sma-40-deg-per-ghz-pe82p2000-p.aspx)

URL: <http://www.pasternack.com/analog-phase-shifter-18-ghz-sma-40-deg-per-ghz-pe82p2000-p.aspx>

The information contained in this document is accurate to the best of our knowledge and representative of the part described herein. It may be necessary to make modifications to the part and/or the documentation of the part, in order to implement improvements. Pasternack reserves the right to make such changes as required. Unless otherwise stated, all specifications are nominal. Pasternack does not make any representation or warranty regarding the suitability of the part described herein for any particular purpose, and Pasternack does not assume any liability arising out of the use of any part or documentation.

PE82P2000 CAD Drawing

Analog Phase Shifter, 5 GHz to 18 GHz, With an Adjustable Phase of 40 Deg. Per GHz and SMA



DWG TITLE

PE82P2000

NOTES:
 1. UNLESS OTHERWISE SPECIFIED ALL DIMENSIONS ARE NOMINAL.
 2. ALL SPECIFICATIONS ARE SUBJECT TO CHANGE WITHOUT NOTICE AT ANY TIME.
 3. DIMENSIONS ARE IN INCHES [mm].

FSCM NO. 53919

CAD FILE 092914

SCALE N/A

SIZE A

2233

PE PASTERNAK
 THE ENGINEER'S RF SOURCE

Pasternack Enterprises, Inc.
 P.O. Box 16759 | Irvine | CA | 92623
 Phone: (949) 261-1920 | Fax: (949) 261-7451
 Website: www.pasternack.com | E-Mail: sales@pasternack.com