

# BIAS TEES, PULSED SMA

**UP TO 12 GHz  
3 AMPS**



MODELS: 8860SXX1-XX, 8860SXX2-XX, 8860SXX3-XX

## SPECIFICATIONS:

### Electrical:

Frequency Range	30 MHz – 12 GHz	
Standard Freq. Values	2.5, 6, 9 & 12 GHz	
Insertion Loss (AC to AC+DC):	Typical	Maximum
30 MHz – 100 MHz	1.00 dB	2.00 dB
100 MHz – 6 GHz	0.50 dB	1.25 dB
6 – 9 GHz	1.50 dB	2.00 dB
9 – 12 GHz	2.00 dB	3.00 dB
Insertion Loss (AC+DC to DC):		
<5 MHz	<1.25 dB Typical	
VSWR:	Typical	Maximum
30 MHz – 100 MHz	1.80:1	2.00:1
100 MHz – 6 GHz	1.30:1	1.50:1
6 – 9 GHz	1.60:1	1.80:1
9 – 12 GHz	2.20:1	

Impedance	50 Ohms	
Isolation (AC to DC) <5 MHz, >30 MHz	>10 dB Typical	
Isolation (AC to AC+DC) <5 MHz	>10 dB Typical	
Isolation (DC to AC+DC) >30 MHz	>10 dB Typical	
DC Voltage	100 VDC Max.	
DC Current	3.0 Amps Max.	
Current Rating vs Temperature	Derated Linearly to 1A at 105°C	

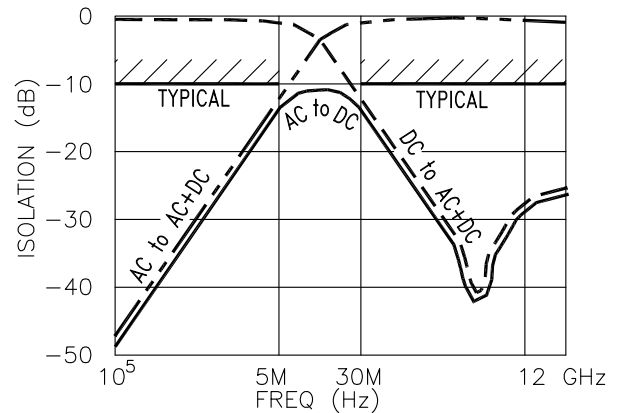
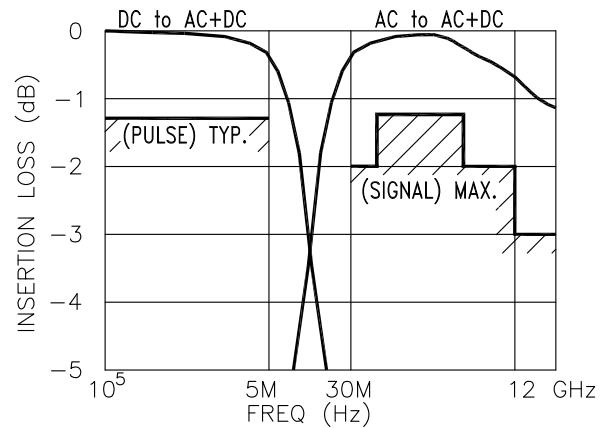
Rf specifications apply when 3rd port is terminated with 50-Ohm load

### Environmental:

Operating Temperature Range	-55°C to +105°C
Storage Temperature Range	-60°C to +90°C

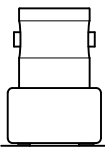
### Mechanical:

SMA Connectors	Passivated Stainless Steel
<small>Mates with MIL-STD-348</small>	
BNC Connectors	Nickel Plated Brass
<small>Mates with MIL-STD-348</small>	
Center Conductors	Gold Plated Beryllium Copper
Housing	Aluminum with Chem. Conv. Coating

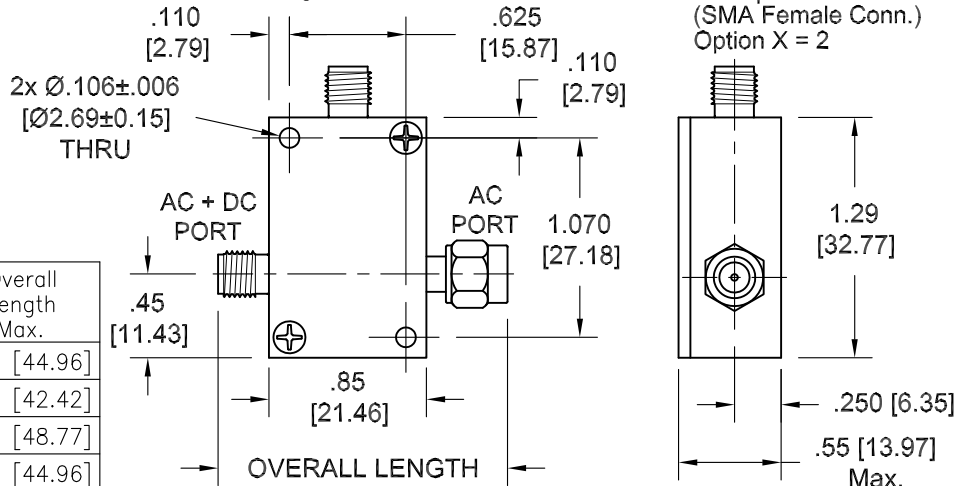


### DC Input Connector Options

BNC Female, X=3



Model Numbers	Connector Configuration Port		Overall Length Max.
	AC + DC	AC	
8860SMFX-YY	Male	Female	1.77 [44.96]
8860SFFX-YY	Female	Female	1.67 [42.42]
8860SMMX-YY	Male	Male	1.92 [48.77]
8860SFMX-YY	Female	Male	1.77 [44.96]



## HOW TO ORDER:

Model Number:	<b>8860SZZX-YY</b>	Freq. Range	02 = 30 MHz – 2.5 GHz
Base Number			06 = 30 MHz – 6 GHz
DC Connector Type			09 = 30 MHz – 9 GHz
			12 = 30 MHz – 12 GHz
			2 = SMA Female Conn.
			3 = BNC Female Conn.

## Ordering Examples:

Model Number: **8860SFM2-12**  
30 MHz – 12 GHz, SMA Fem/Male  
SMA Female DC Connector Type

Note: Dimensions in Brackets are Expressed in Millimeters and are for Reference Only.

Design specifications are subject to change without notice.

Contact factory for technical specifications before purchasing or use.

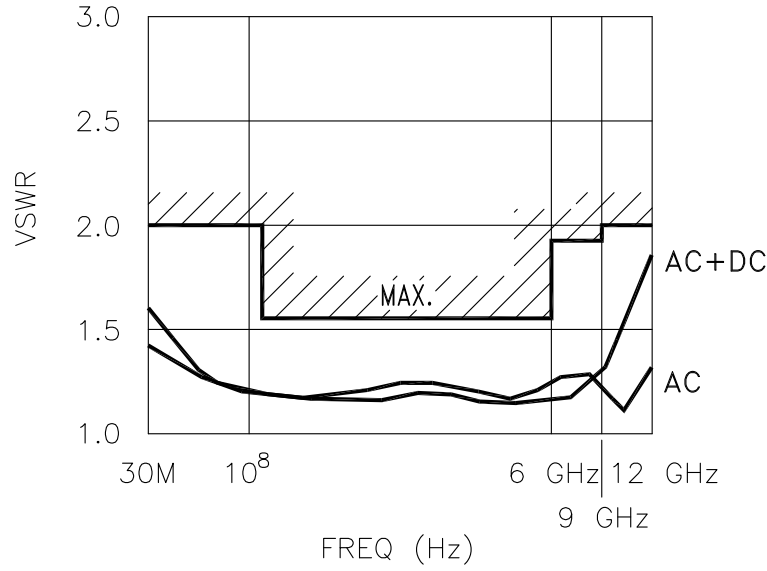
8860S; REV A

PROPRIETARY NOTICE


THE INFORMATION CONTAINED IN THIS DRAWING IS PROPRIETARY AND SHALL NOT BE USED OR DISCLOSED WITHOUT THE PRIOR WRITTEN PERMISSION OF API INMET, INC.

REVISIONS

LTR	DESCRIPTION	DATE	DCN NO.
A	SEE REVISION HISTORY	1/14/09	09-00021



NOTE: DIMENSIONS IN BRACKETS ARE EXPRESSED IN MILLIMETERS AND ARE FOR REFERENCE ONLY.

UNLESS OTHERWISE SPECIFIED DIMENSIONS ARE IN INCHES TOLERANCES DECIMAL .XX ± .01 ANGULAR ± .XXX ± .005 DO NOT SCALE DRAWING	CONTRACT NO.		 300 DINO DRIVE ANN ARBOR, MI 48103 TELEPHONE (734) 426-5553 FACSIMILE (734) 426-5557
	CHECKED ACB	DATE 11/20/08	
MATERIAL:	ENGINEERING EA	DATE 12/1/08	TITLE: OUTLINE DRAWING, BIAS TEE, SMA CONNECTORS 30 MHz - 12 GHz, 50 OHMS 8860SXXZ-YY SERIES
	MANUFACTURING SL	DATE 12/1/08	
FINISH	QUAL. ASSURANCE JBM	DATE 12/1/08	SIZE: A FSCM NO.: 64671 DWG. NO.: 8860S
SIMILAR TO	WEIGHT (gr)	MARKETING NH	DATE 12/1/08
		SCALE: NONE	RELEASE DATE
		SHEET 2 OF 2	