



## Hermetically Sealed SMA Female to SMA Female Bulkhead Adapter

### TECHNICAL DATA SHEET

PE9184

#### Configuration

Connector 1	SMA Female
Impedance 1	50 Ohms
Connector Specification 1	MIL-STD-348
Connector 2	SMA Female
Impedance 2	50 Ohms
Connector Specification 2	MIL-STD-348
Adapter Design	Standard
Body Style	Straight
Mount Method	Bulkhead
Isolated Ground / Hermetic	Hermetically Sealed

#### Mechanical Specifications

##### Size

Length, in [mm]	0.875 [22.23]
Width/Dia., in [mm]	0.5 [12.7]

##### Connector 1

Type	SMA Female
Inner Conductor Material and Plating	Beryllium Copper, Gold
Body Material and Plating	Stainless Steel, Gold
Dielectric Type	PTFE

##### Connector 2

Type	SMA Female
Inner Conductor Material and Plating	Beryllium Copper, Gold
Body Material and Plating	Stainless Steel, Gold

#### Environmental Specifications

#### Compliance Certifications (visit [www.Pasternack.com](http://www.Pasternack.com) for current document)

RoHS Compliant	
REACH Compliant	06/18/2012

Click the following link (or enter part number in "SEARCH" on website) to obtain additional part information including price, inventory and certifications: [Hermetically Sealed SMA Female to SMA Female Bulkhead Adapter PE9184](#)



## Hermetically Sealed SMA Female to SMA Female Bulkhead Adapter

### TECHNICAL DATA SHEET

PE9184

#### Plotted and Other Data

Notes:

- Values at +25 °C, sea level
  - Leak rate not to exceed  $1 \times 10^{-7}$  cc/sec of helium @ 1 atm differential.
- O-ring material: Buna

Hermetically Sealed SMA Female to SMA Female Bulkhead Adapter from Pasternack Enterprises has same day shipment for domestic and International orders. Our RF, microwave and millimeter wave products maintain a 99% availability and are part of the broadest selection in the industry.

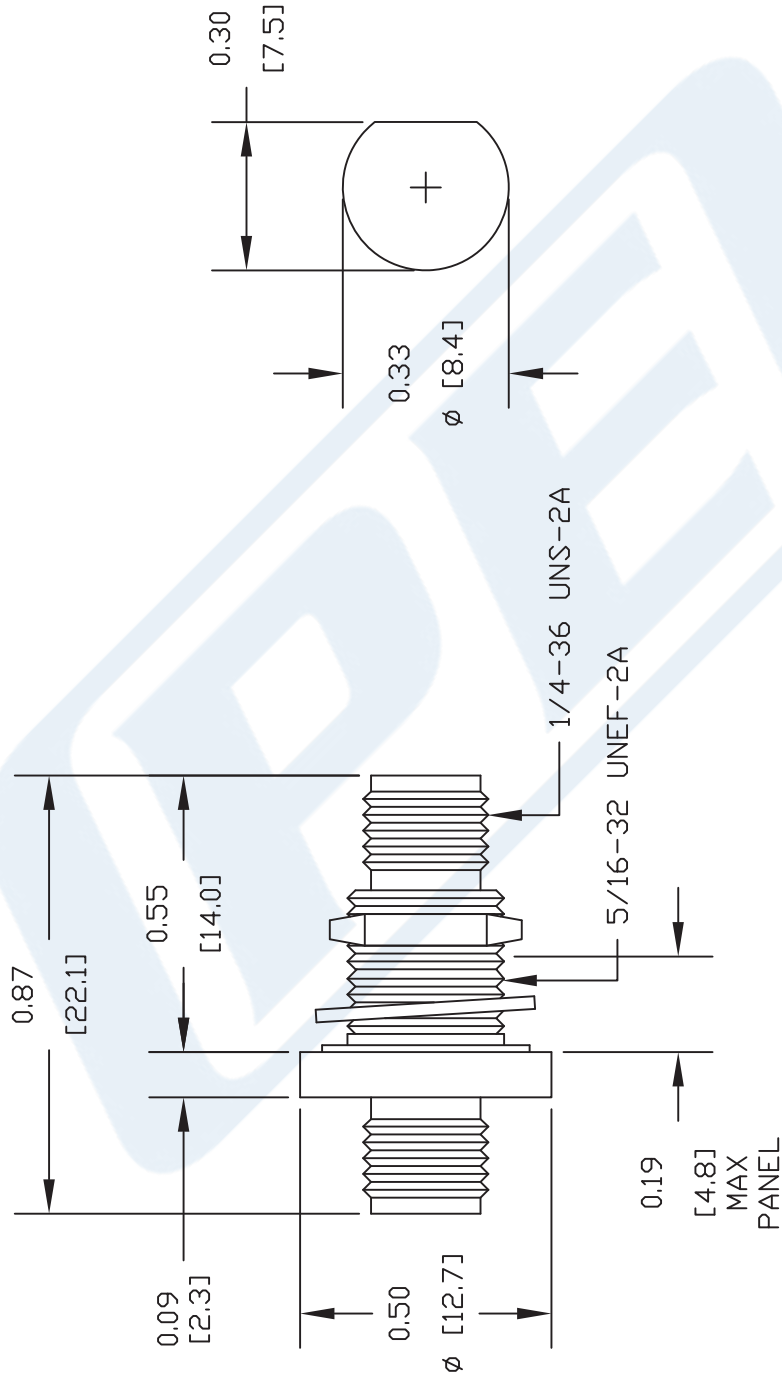
Click the following link (or enter part number in "SEARCH" on website) to obtain additional part information including price, inventory and certifications: [Hermetically Sealed SMA Female to SMA Female Bulkhead Adapter PE9184](#)

URL: <http://www.pasternack.com/sma-female-sma-female-straight-adapter-pe9184-p.aspx>

The information contained in this document is accurate to the best of our knowledge and representative of the part described herein. It may be necessary to make modifications to the part and/or the documentation of the part, in order to implement improvements. Pasternack reserves the right to make such changes as required. Unless otherwise stated, all specifications are nominal. Pasternack does not make any representation or warranty regarding the suitability of the part described herein for any particular purpose, and Pasternack does not assume any liability arising out of the use of any part or documentation.

# PE9184 CAD Drawing

Hermetically Sealed SMA Female to SMA Female Bulkhead Adapter



DWG TITLE

**PE9184**

NOTES:  
 1. UNLESS OTHERWISE SPECIFIED ALL DIMENSIONS ARE NOMINAL.  
 2. ALL SPECIFICATIONS ARE SUBJECT TO CHANGE WITHOUT NOTICE AT ANY TIME.  
 3. DIMENSIONS ARE IN INCHES [mm].

REV. -

FSCM NO. 53919

CAD FILE 062403

SCALE N/A

SIZE A

127



Pasternack Enterprises, Inc.  
 P.O. Box 16759 | Irvine | CA | 92623

Phone: (949) 261-1920 | Fax: (949) 261-7451

Website: [www.pasternack.com](http://www.pasternack.com) | E-Mail: [sales@pasternack.com](mailto:sales@pasternack.com)