

RCO4-149/1447

COBHAM

Omni Antenna

The most important thing we build is trust

Designed for UAV Data Link Applications

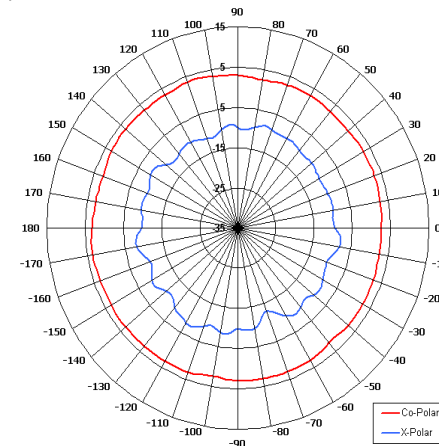
High Frequency

Right Hand Circular Polarised

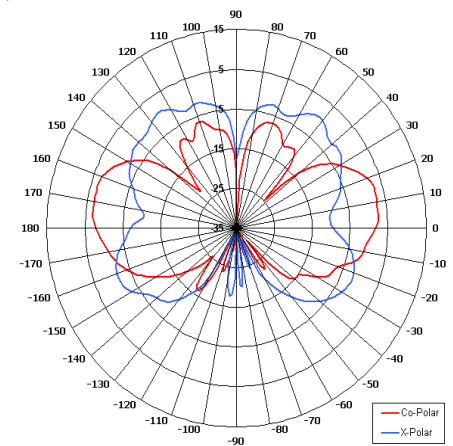
Suitable for Airborne Applications

Rugged

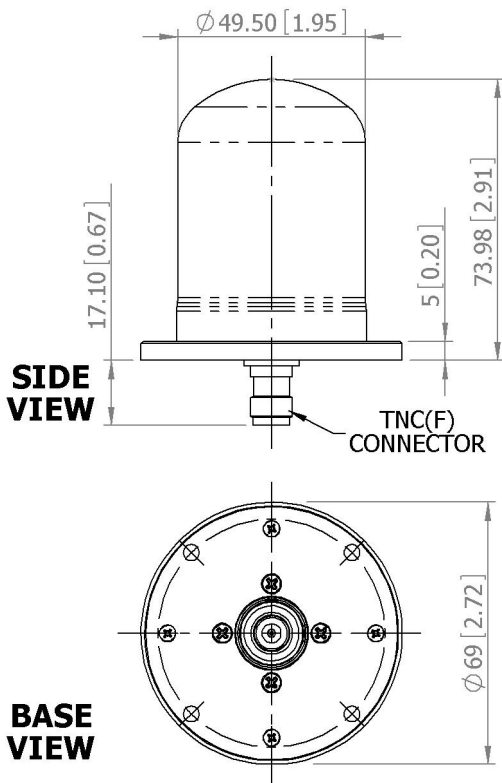
Connector Options



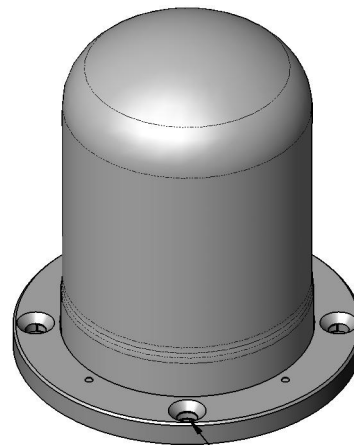
Azimuth Pattern



Elevation Pattern



GA: 1447



MOUNTED VIA
4 OFF $\phi 4.3$ [0.17] HOLES
CSK TO 90° EQUI-SPACED
ON 60.0 [2.36] PCD.

ELECTRICAL

Frequency	14.40 - 15.40 GHz
Gain	4.0 dBiC Nom
Polarisation	Right Hand Circular
Beamwidth	360° (Az) x 30° (El) Approx
Axial Ratio	5.0 dB Approx
VSWR	1.5:1
Power Rating	100 W
Electrical Tilt	10° Up

MECHANICAL

Standard Finish	Aerodur Camouflage Grey
Mass	145g (5.1 oz)
Temperature	-40° to +71°C
Wind Loading	0.58 Kg(1.27lbs) @ 100mph

MOUNTING OPTIONS

Kits Available	N/A
See separate data sheets	

ADDITIONAL NOTES

Issud 020910

European Antennas Limited trading as Cobham Antenna Systems, Microwave Antennas

European Antennas Limited has a policy of continuous development and stress that the information provided is a guide only and does not constitute an offer or contract or part thereof. Whilst every effort is made to ensure the accuracy of the information contained in this brochure, no responsibility can be accepted for any errors or omissions.

The copyright of antenna designs and images is copyright protected and owned by European Antennas Limited.
©European Antennas Limited

For further information please contact:

Cobham Antenna Systems, Microwave Antennas
Lambda House, Cheveley,
Newmarket, Suffolk CB8 9RG, UK.
Tel +44 (0)1638 732 177
Fax +44 (0) 1638 731999
Email newmarket.sales@cobham.com