



Ruggedized 3.5mm NMD Female to SMA Female Adapter

TECHNICAL DATA SHEET

PE91147

**Configuration**

Connector 1	3.5mm NMD Female
Impedance 1	50 Ohms
Connector 2	SMA Female
Impedance 2	50 Ohms
Adapter Design	Ruggedized
Body Style	Straight

**Electrical Specifications**

Frequency Range	DC to 27 GHz
Maximum VSWR	1.3:1

**Frequency 1**

Frequency, GHz	DC to 5
VSWR	1.05:1

**Frequency 2**

Frequency, GHz	5 to 11
VSWR	1.07:1

**Frequency 3**

Frequency, GHz	11 to 19
VSWR	1.1:1

**Frequency 4**

Frequency, GHz	19 to 27
VSWR	1.3:1

**Mechanical Specifications**

**Size**

Length, in [mm]	1.32 [33.53]
Width/Dia., in [mm]	0.86 [21.84]

**Connector 1**

Type	3.5mm NMD Female
Inner Conductor Material and Plating	Beryllium Copper, Gold
Outer Conductor Material and Plating	Passivated Stainless Steel
Coupling Nut Material and Plating	Passivated Stainless Steel
Body Material and Plating	Passivated Stainless Steel
Dielectric Type	PSU

**Connector 2**

Type	SMA Female
Inner Conductor Material and Plating	Beryllium Copper, Gold
Outer Conductor Material and Plating	Passivated Stainless Steel
Body Material and Plating	Passivated Stainless Steel

Click the following link (or enter part number in "SEARCH" on website) to obtain additional part information including price, inventory and certifications: [Ruggedized 3.5mm NMD Female to SMA Female Adapter PE91147](#)





## Ruggedized 3.5mm NMD Female to SMA Female Adapter

### TECHNICAL DATA SHEET

PE91147

Dielectric Type

PSU

#### Environmental Specifications

#### Compliance Certifications (visit [www.Pasternack.com](http://www.Pasternack.com) for current document)

RoHS Compliant

#### Plotted and Other Data

Notes:

- Values at +25 °C, sea level

Ruggedized 3.5mm NMD Female to SMA Female Adapter from Pasternack Enterprises has same day shipment for domestic and International orders. Our RF, microwave and millimeter wave products maintain a 99% availability and are part of the broadest selection in the industry.

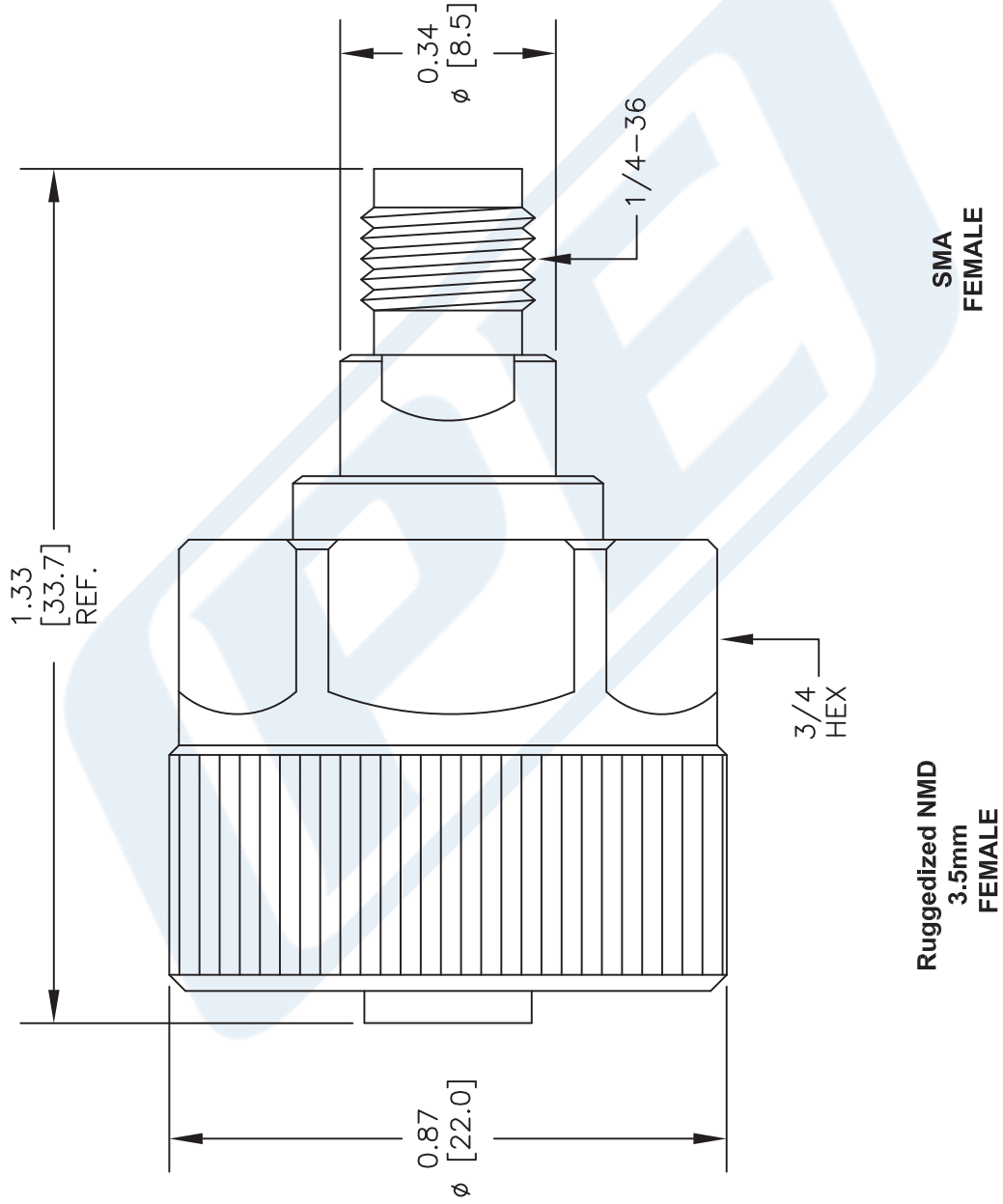
Click the following link (or enter part number in "SEARCH" on website) to obtain additional part information including price, inventory and certifications: [Ruggedized 3.5mm NMD Female to SMA Female Adapter PE91147](#)

URL: <http://www.pasternack.com/3.5mm-nmd-female-sma-female-straight-adapter-pe91147-p.aspx>

The information contained in this document is accurate to the best of our knowledge and representative of the part described herein. It may be necessary to make modifications to the part and/or the documentation of the part, in order to implement improvements. Pasternack reserves the right to make such changes as required. Unless otherwise stated, all specifications are nominal. Pasternack does not make any representation or warranty regarding the suitability of the part described herein for any particular purpose, and Pasternack does not assume any liability arising out of the use of any part or documentation.

# PE91147 CAD Drawing

Ruggedized 3.5mm NMD Female to SMA Female Adapter



DWG TITLE

**PE91147**

NOTES:  
 1. UNLESS OTHERWISE SPECIFIED ALL DIMENSIONS ARE NOMINAL.  
 2. ALL SPECIFICATIONS ARE SUBJECT TO CHANGE WITHOUT NOTICE AT ANY TIME.  
 3. DIMENSIONS ARE IN INCHES [mm].

FSCM NO. 53919

CAD FILE 020414

SCALE N/A

SIZE A

150



Pasternack Enterprises, Inc.  
 P.O. Box 16759 | Irvine | CA | 92623  
 Phone: (949) 261-1920 | Fax: (949) 261-7451  
 Website: www.pasternack.com | E-Mail: sales@pasternack.com