

| REVISIONS | | DATE | APPROVED |
|------------------|------|---------|----------|
| ZONE | REV. | | |
| - | | 9/28/09 | |
| DESCRIPTION | | | |
| ORIGINAL RELEASE | | | |

Description:
 Low Noise Amplifier designed for Military and Industrial applications. This amplifier is supplied in our standard PE2 housings in a cascade layout that can be used as a SMA connectorized or a surface mount component. Other packages and connector types are available.

This model provides the following performance. Data is available upon request.

Specifications:

- Frequency Range: 2.0 to 12.0 GHz
- Gain: 60dB Typ.
- Gain Flatness: +/-1.25dB Max.
- Noise Figure: 4.0dB Typ.
- OP1dB: 13dBm Min.
- VSWR Input/Output: 2.0:1 Max.
- DC Voltage Supply: +12 to +15VDC
- DC Current Draw: 280mA Max.

Features:

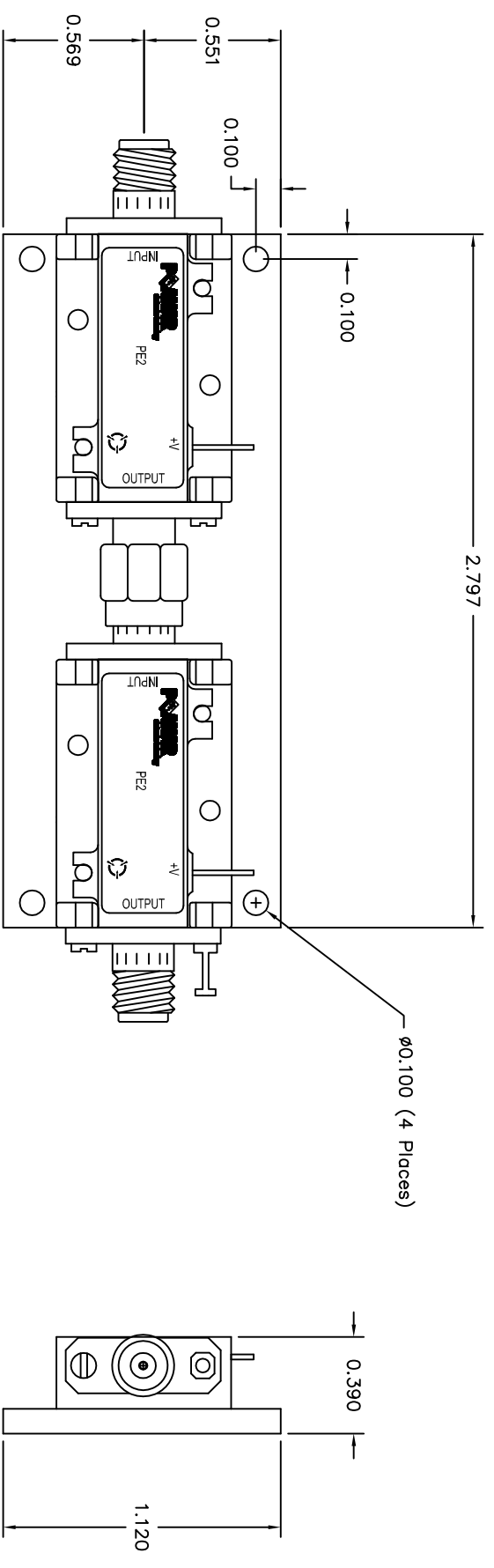
- Internal Voltage Regulation
- Unconditional Stability
- Standard Operating Temperature -20 to +70 Deg. C

Available Options:

- Various Package types
- Various Connector types
- Temperature Compensation
- Hermetic Sealing
- Gain and Phase Matching
- MIL-STD-883 Screening Available

Environmental Ratings:

- Temperature: -20 to +70 Deg. C (Operating) ; -55 to +85 Deg C Available)
 - 55 to +125 Deg. C (Storage)
 - Humidity: MIL-STD-202F, METHOD 103B COND B.
 - Shock: MIL-STD-202F, METHOD 213B COND B.
 - Altitude: MIL-STD-202F, METHOD 105C COND B.
 - Temperature Cycle: MIL-STD-202F, METHOD 107D COND A
- Note: The above specifications are subject to change or revision.



UNLESS OTHERWISE SPECIFIED
 DIMENSIONS ARE IN INCHES
 TOLERANCES ARE:
 FRACTIONS DECIMALS ANGLES
 ± .XX ± 0.010 ±
 .XXX ± 0.005

| | | | |
|----------------------------|---------------------------------------|--------------------------------|--|
| PART NO. | APPROVALS | DATE | 5715 Industry Lane, Unit 11 FREDERICK, MARYLAND |
| | DRAWN: K/Mason CHECKED: ISSUED: | 9/28/09 | |
| MATERIAL: 6061-T6 Aluminum | | FINISH: Gold Plate over Nickel | |
| DO NOT SCALE DRAWING | | WEB -- MODEL A SHEET 1 OF 1 | |