

High Power, Flange Mount Termination

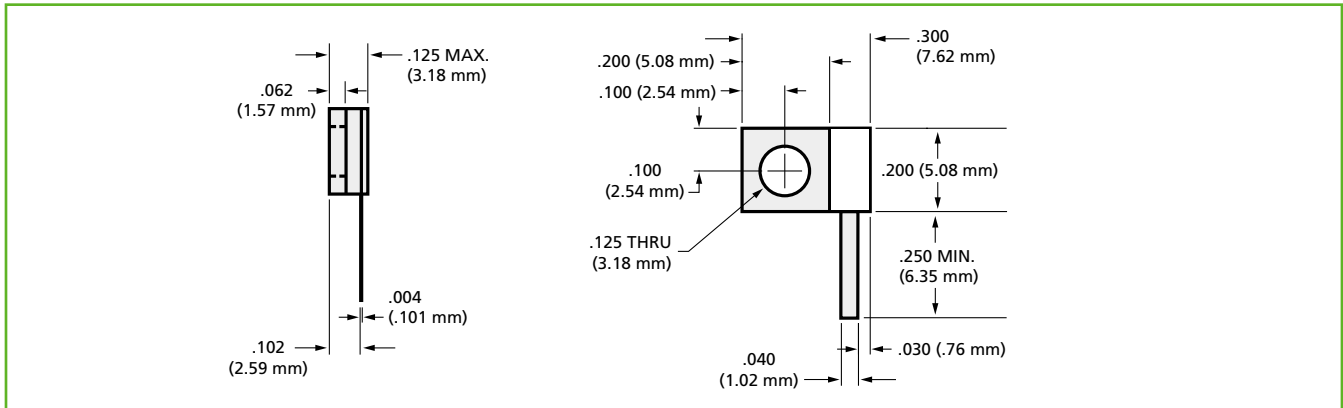
P/N: FT10300N0050JBK

Electrical Specifications

- **Nominal Impedance:** 50 Ω ±5% standard (±2% available)
- **Power:** 20 Watts
- **Frequency:** DC to 6 GHz
- **VSWR:** 1.15:1 @ 4 GHz, 1.25:1 @ 6 GHz,
- **Operating Temperature Range:** -55°C to +150°C
- **Temperature Coefficient:** <150 ppm/°C
- **RoHS Compliant**



Dimension Drawing



High Power, Flange Mount Termination

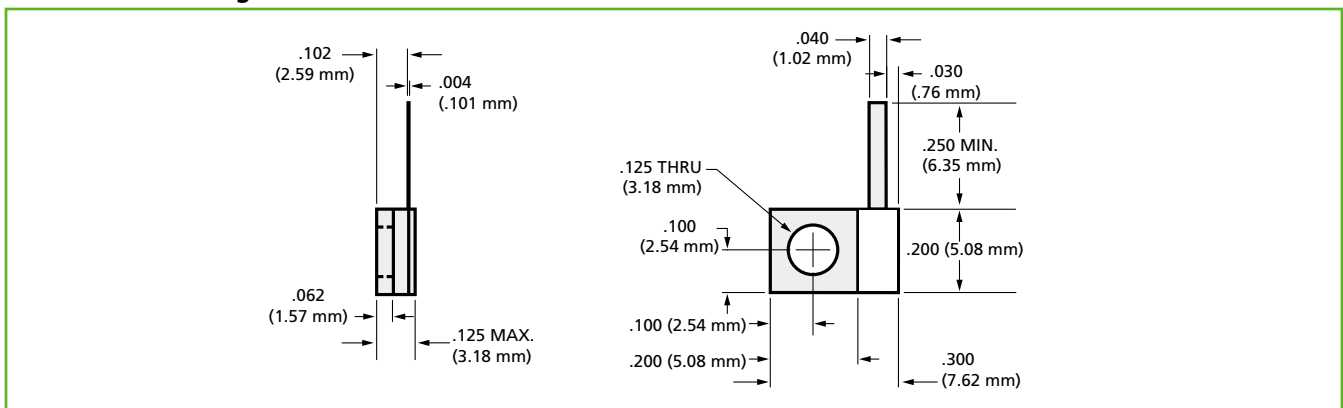
P/N: FT10301N0050JBK

Electrical Specifications

- **Nominal Impedance:** 50 Ω ±5% standard (±2% available)
- **Power:** 20 Watts
- **Frequency:** DC to 6 GHz
- **VSWR:** 1.15:1 @ 4 GHz, 1.25:1 @ 6 GHz,
- **Operating Temperature Range:** -55°C to +150°C
- **Temperature Coefficient:** <150 ppm/°C
- **RoHS Compliant**



Dimension Drawing



High Power, Flange Mount Termination

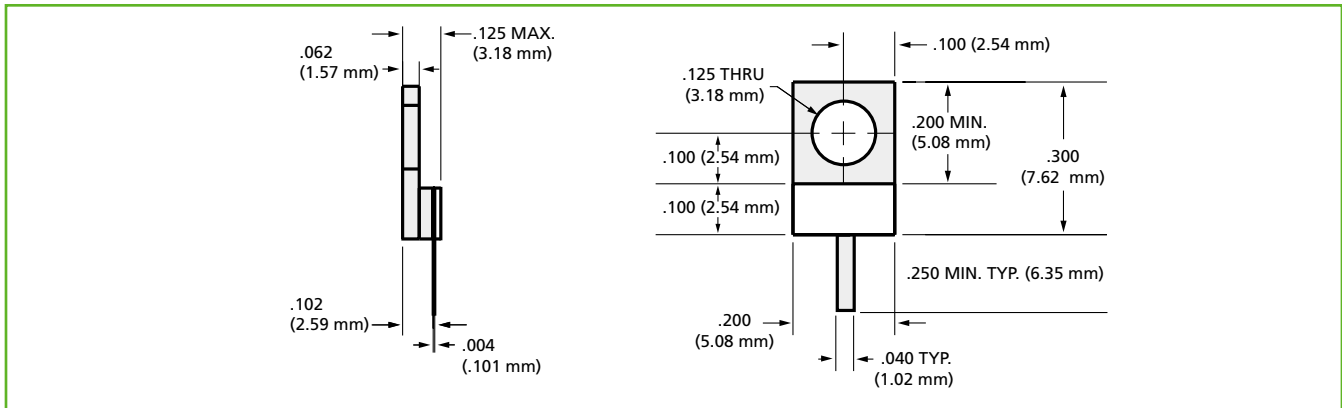
P/N: FT10302N0050JBK

Electrical Specifications

- **Nominal Impedance:** 50 Ω ±5% standard (±2% available)
- **Power:** 20 Watts
- **Frequency:** DC to 18 GHz
- **VSWR:** 1.25:1
- **Operating Temperature Range:** -55°C to +150°C
- **Temperature Coefficient:** <150 ppm/°C
- **RoHS Compliant**



Dimension Drawing



High Power, Flange Mount Termination

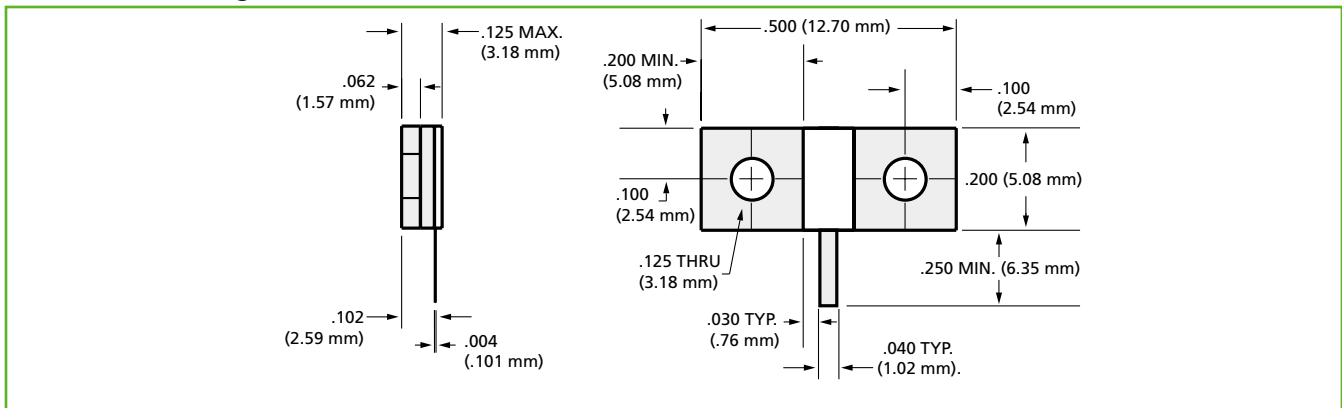
P/N: FT10500N0050J

Electrical Specifications

- **Nominal Impedance:** 50 Ω ±5% standard (±2% available)
- **Power:** 25 Watts
- **Frequency:** DC to 4.0 GHz
- **VSWR:** 1.20:1
- **Operating Temperature Range:** -55°C to +150°C
- **Temperature Coefficient:** <150 ppm/°C
- **RoHS Compliant**



Dimension Drawing



High Power, Flange Mount Termination

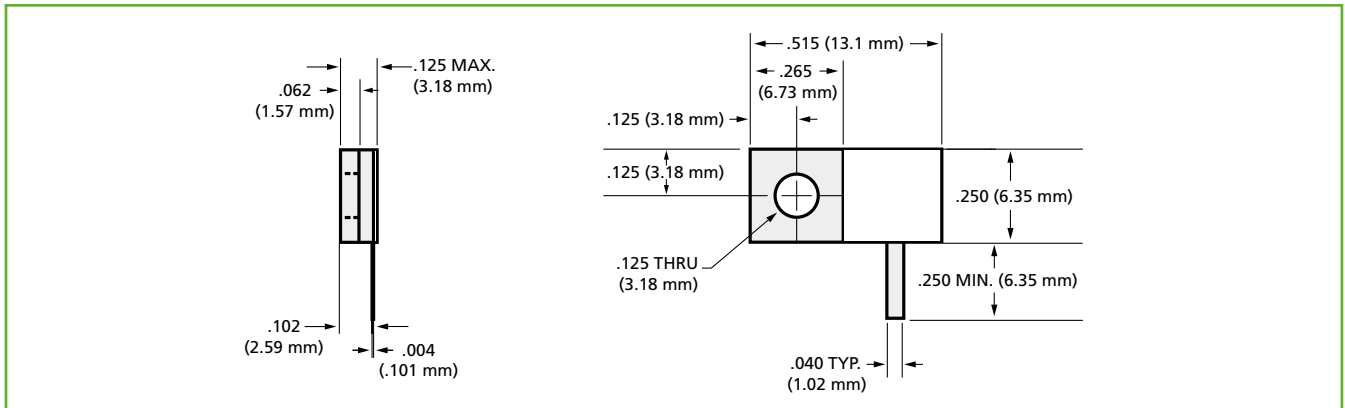
P/N: FT10515N0050JBK

Electrical Specifications

- **Nominal Impedance:** 50 Ω ±5% standard (±2% available)
- **Power:** 60 Watts
- **Frequency:** DC to 4.0 GHz
- **VSWR:** 1.20:1
- **Operating Temperature Range:** -55°C to +150°C
- **Temperature Coefficient:** <150 ppm/°C
- **RoHS Compliant**



Dimension Drawing



High Power, Flange Mount Termination

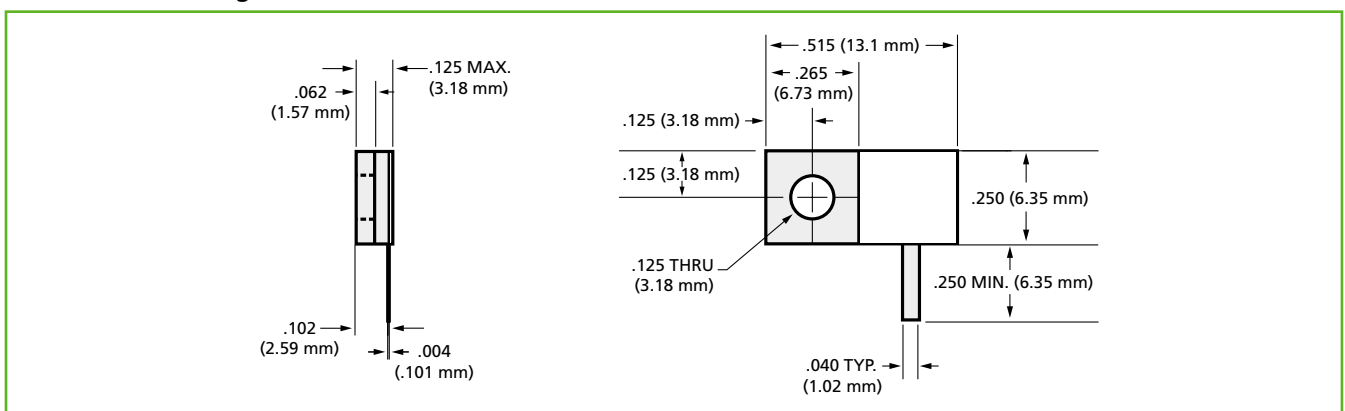
P/N: FT10515N0050J01

Electrical Specifications

- **Nominal Impedance:** 50 Ω ±5% standard (±2% available)
- **Power:** 60 Watts
- **Frequency:** DC to 2.5 GHz
- **VSWR:** 1.15:1
- **Operating Temperature Range:** -55°C to +150°C
- **Temperature Coefficient:** <150 ppm/°C
- **RoHS Compliant**



Dimension Drawing



High Power, Flange Mount Termination

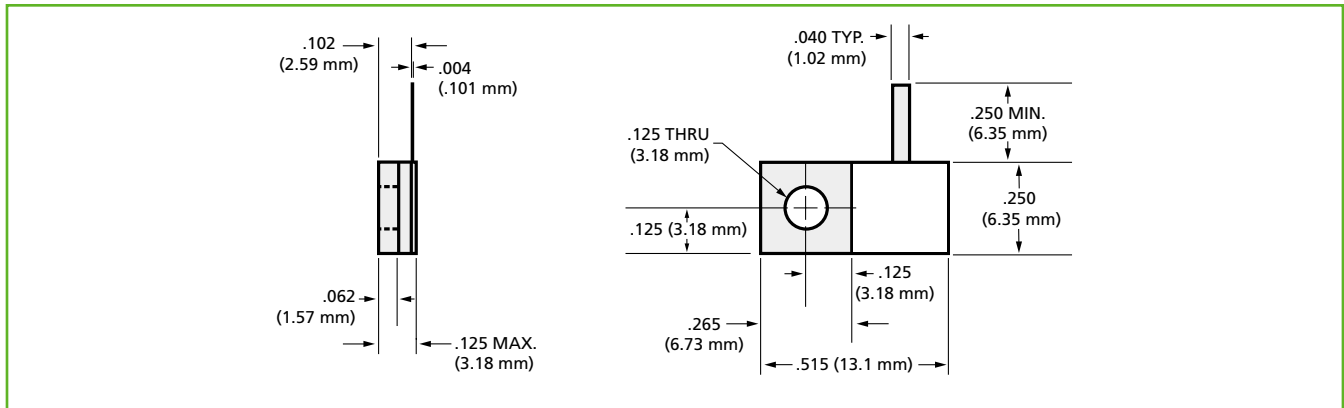
P/N: FT10516N0050JBK

Electrical Specifications

- **Nominal Impedance:** 50 Ω ±5% standard (±2% available)
- **Power:** 60 Watts
- **Frequency:** DC to 4 GHz
- **VSWR:** 1.15:1
- **Operating Temperature Range:** -55°C to +150°C
- **Temperature Coefficient:** <150 ppm/°C
- **RoHS Compliant**



Dimension Drawing



High Power, Flange Mount Termination

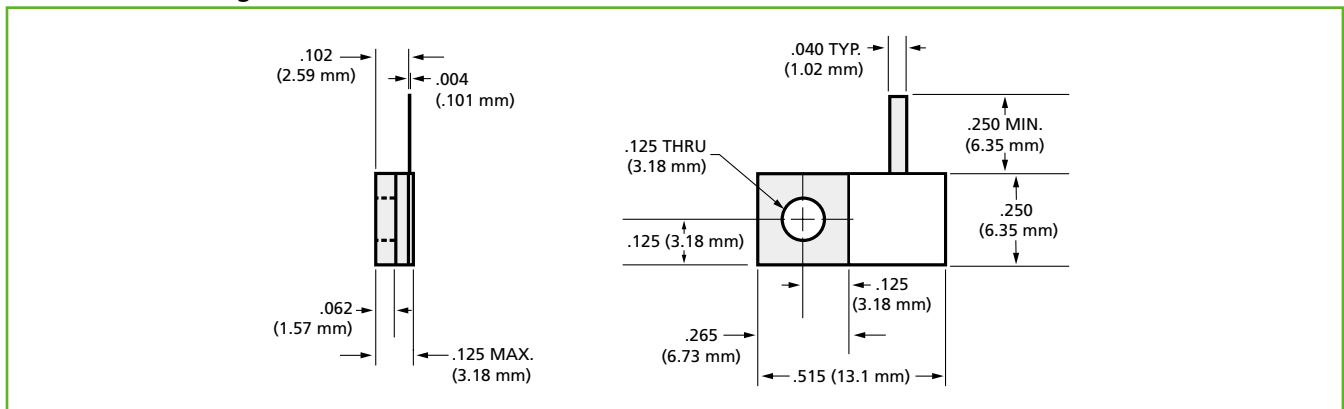
P/N: FT10516N0050J01

Electrical Specifications

- **Nominal Impedance:** 50 Ω ±5% standard (±2% available)
- **Power:** 60 Watts
- **Frequency:** DC to 2.5 GHz
- **VSWR:** 1.15:1
- **Operating Temperature Range:** -55°C to +150°C
- **Temperature Coefficient:** <150 ppm/°C
- **RoHS Compliant**



Dimension Drawing



High Power, Flange Mount Termination

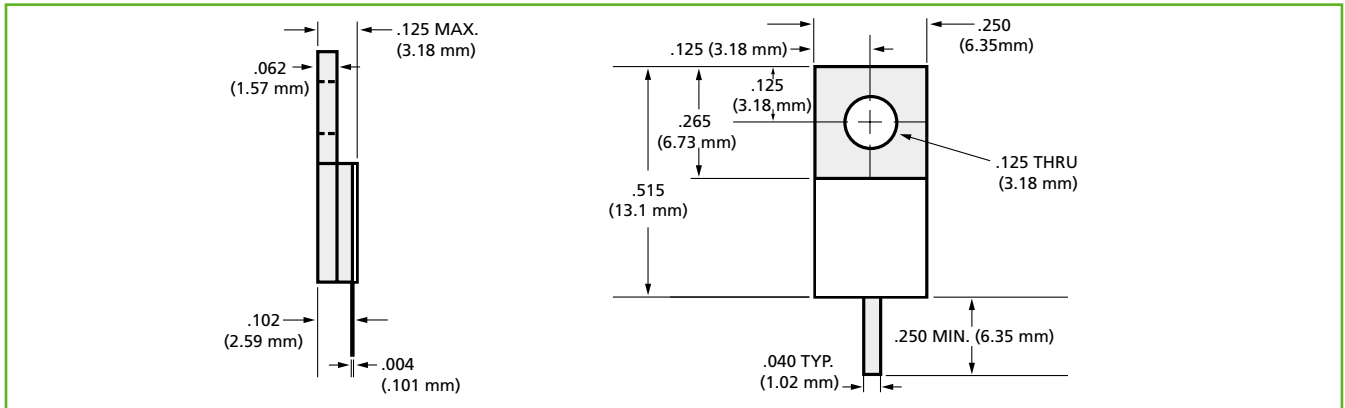
P/N: FT10517N0050JBK

Electrical Specifications

- Nominal Impedance: 50 Ω ±5% standard (±2% available)
- Power: 60 Watts
- Frequency: DC to 4 GHz
- VSWR: 1.20:1
- Operating Temperature Range: -55°C to +150°C
- Temperature Coefficient: <150 ppm/°C
- RoHS Compliant



Dimension Drawing



High Power, Flange Mount Termination

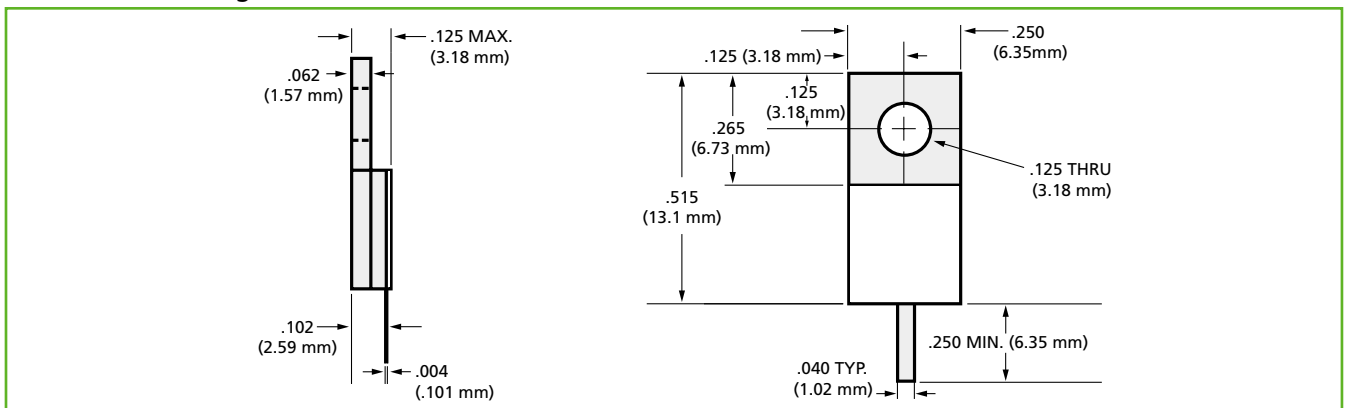
P/N: FT10517N0050J01

Electrical Specifications

- Nominal Impedance: 50 Ω ±5% standard (±2% available)
- Power: 60 Watts
- Frequency: DC to 2.5 GHz
- VSWR: 1.15:1
- Operating Temperature Range: -55°C to +150°C
- Temperature Coefficient: <150 ppm/°C
- RoHS Compliant



Dimension Drawing



High Power, Flange Mount Termination

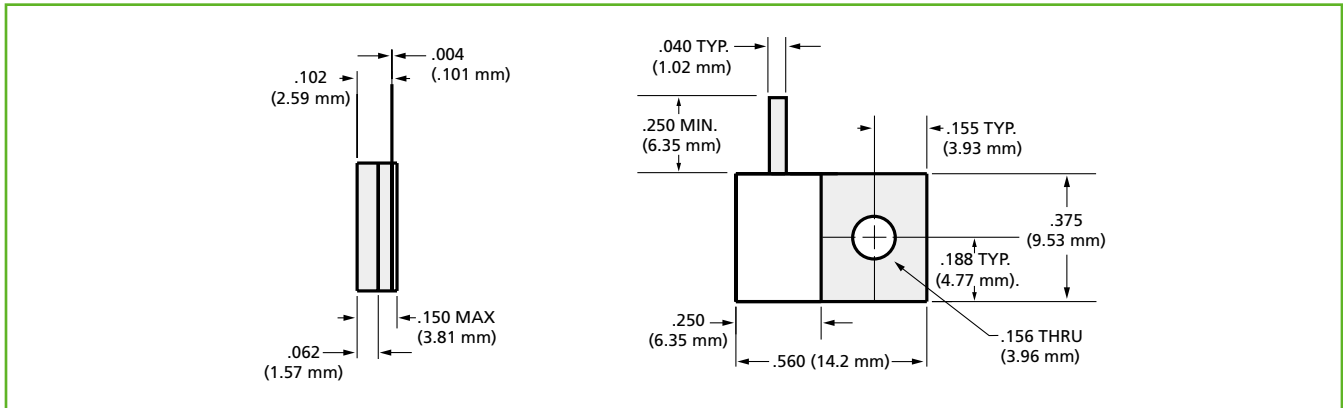
P/N: FT10560N0050JBK

Electrical Specifications

- **Nominal Impedance:** 50 Ω ±5% standard (±2% available)
- **Power:** 75 Watts
- **Frequency:** DC to 4 GHz
- **VSWR:** 1.20:1
- **Operating Temperature Range:** -55°C to +150°C
- **Temperature Coefficient:** <150 ppm/°C
- **RoHS Compliant**



Dimension Drawing



High Power, Flange Mount Termination

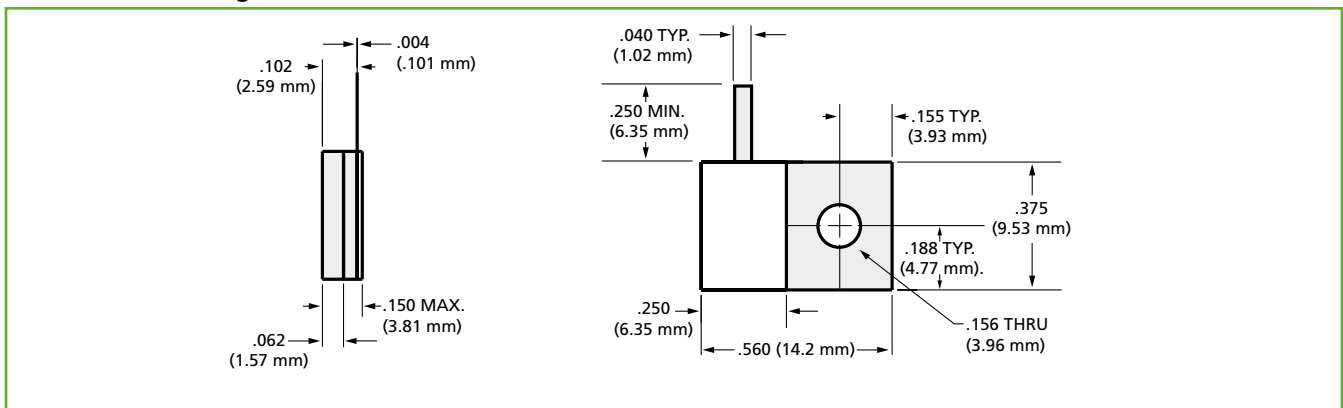
P/N: FT10560N0050J01

Electrical Specifications

- **Nominal Impedance:** 50 Ω ±5% standard (±2% available)
- **Power:** 100 Watts
- **Frequency:** DC to 1.1 GHz
- **VSWR:** 1.15:1
- **Operating Temperature Range:** -55°C to +150°C
- **Temperature Coefficient:** <150 ppm/°C
- **RoHS Compliant**



Dimension Drawing



High Power, Flange Mount Termination

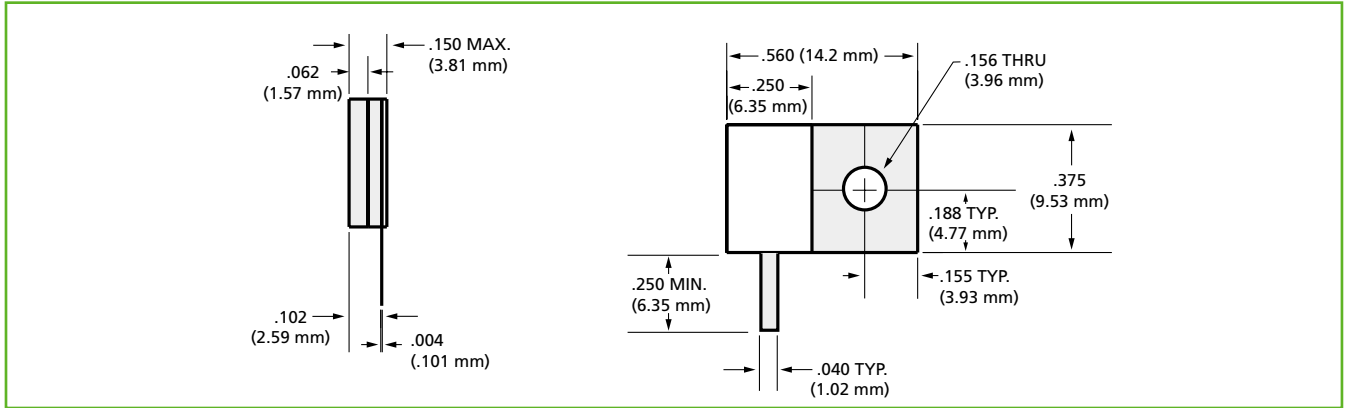
P/N: FT10561N0050JBK

Electrical Specifications

- Nominal Impedance: 50 Ω ±5% standard (±2% available)
- Power: 75 Watts
- Frequency: DC to 4.0 GHz
- VSWR: 1.20:1
- Operating Temperature Range: -55°C to +150°C
- Temperature Coefficient: <150 ppm/°C
- RoHS Compliant



Dimension Drawing



High Power, Flange Mount Termination

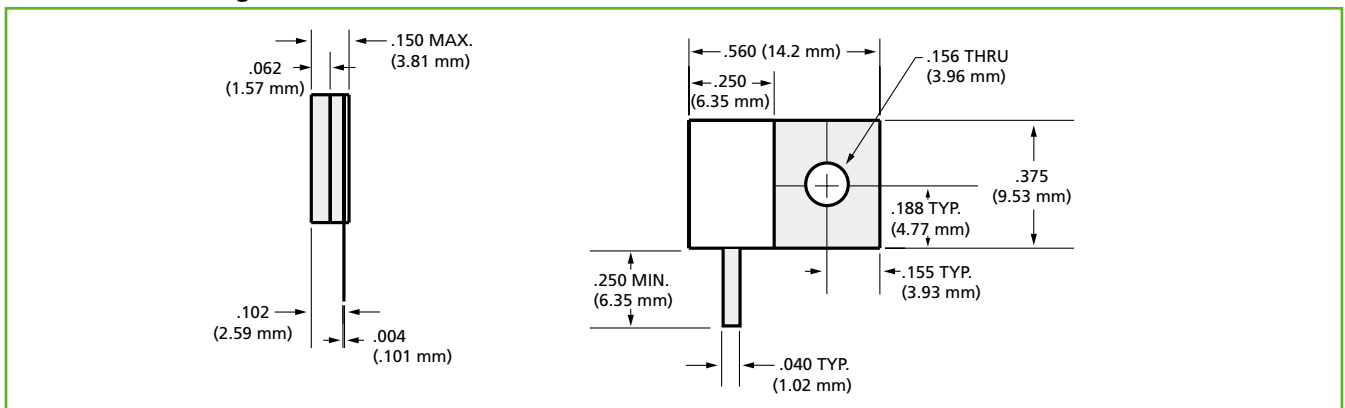
P/N: FT10561N0050J01

Electrical Specifications

- Nominal Impedance: 50 Ω ±5% standard (±2% available)
- Power: 100 Watts
- Frequency: DC to 1.1 GHz
- VSWR: 1.15:1
- Operating Temperature Range: -55°C to +150°C
- Temperature Coefficient: <150 ppm/°C
- RoHS Compliant



Dimension Drawing



High Power, Flange Mount Termination

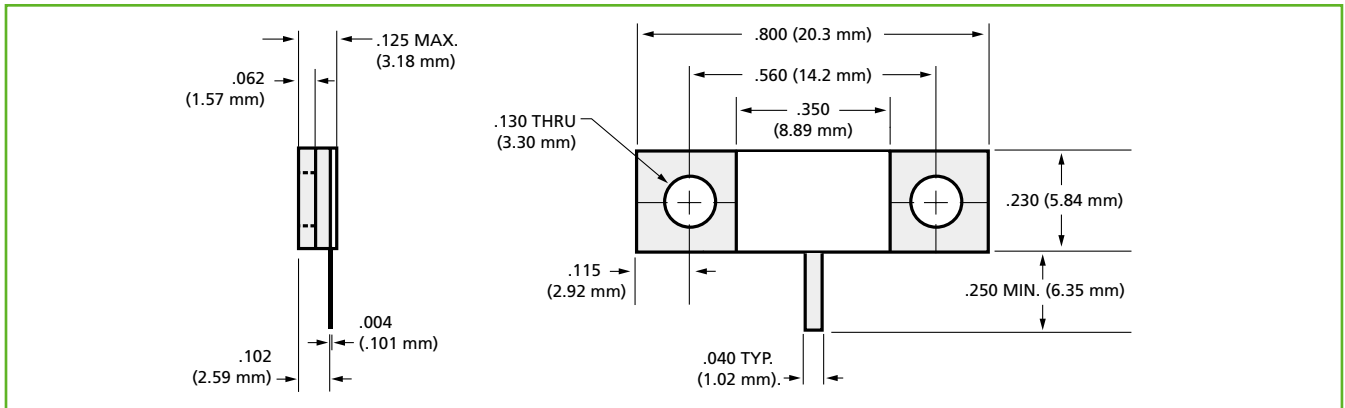
P/N: FT10800N0050JBK

Electrical Specifications

- Nominal Impedance: 50 Ω ±5% standard (±2% available)
- Power: 50 Watts
- Frequency: DC to 6 GHz
- VSWR: 1.10:1 @ 4.5 GHz, 1.18:1 @ 6.0GHz
- Operating Temperature Range: -55°C to +150°C
- Temperature Coefficient: <150 ppm/°C
- RoHS Compliant



Dimension Drawing



High Power, Flange Mount Termination

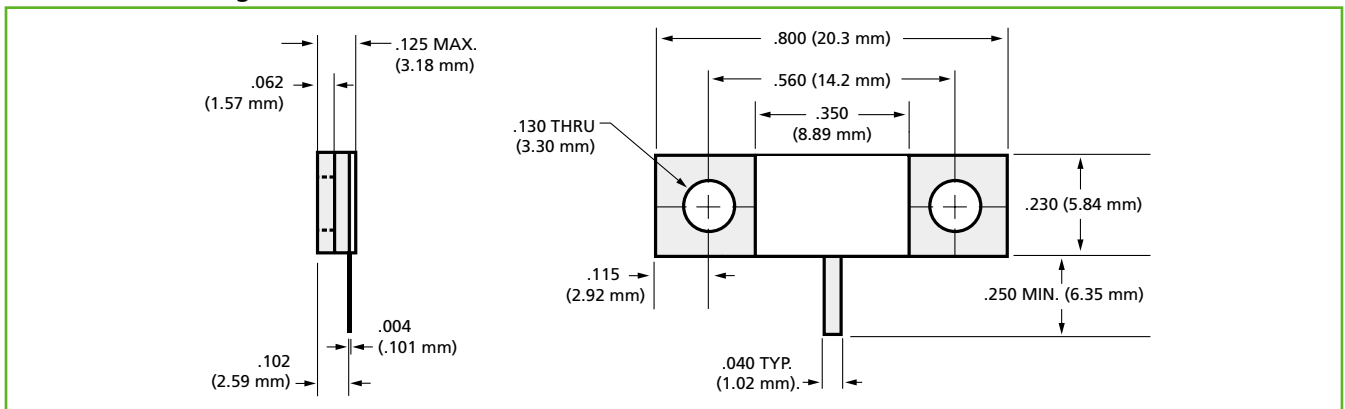
P/N: FT10800N0050J02

Electrical Specifications

- Nominal Impedance: 50 Ω ±5% standard (±2% available)
- Power: 100 Watts
- Frequency: DC to 6 GHz
- VSWR: 1.10:1 @ 4.5 GHz, 1.20:1 @ 6.0GHz
- Operating Temperature Range: -55°C to +150°C
- Temperature Coefficient: <150 ppm/°C
- RoHS Compliant



Dimension Drawing



High Power, Flange Mount Termination

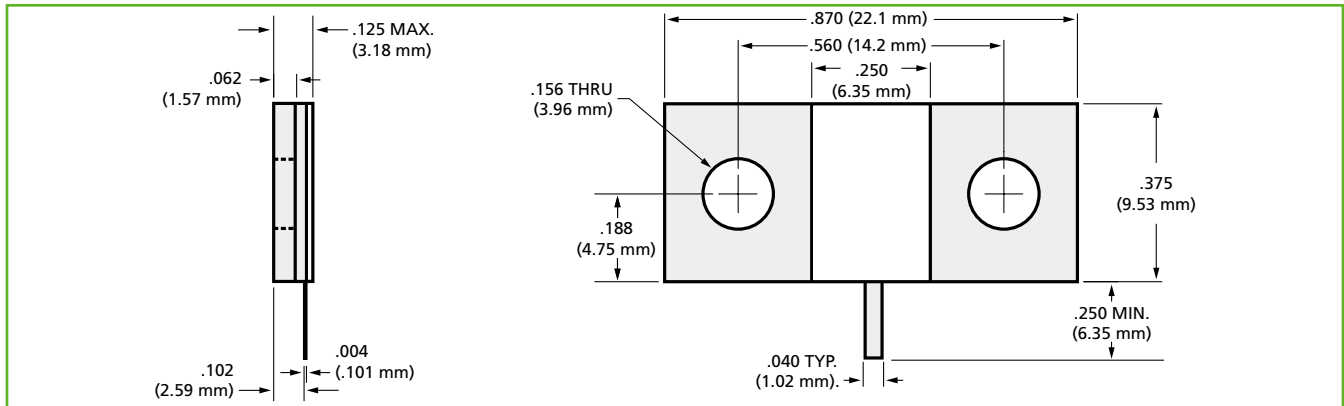
P/N: FT10870N0050JBK

Electrical Specifications

- Nominal Impedance: 50 Ω \pm 5% standard (\pm 2% available)
- Power: 100 Watts
- Frequency: DC to 4.0 GHz
- VSWR: 1.20:1
- Operating Temperature Range: -55°C to +150°C
- Temperature Coefficient: <150 ppm/°C
- RoHS Compliant



Dimension Drawing



High Power, Flange Mount Termination

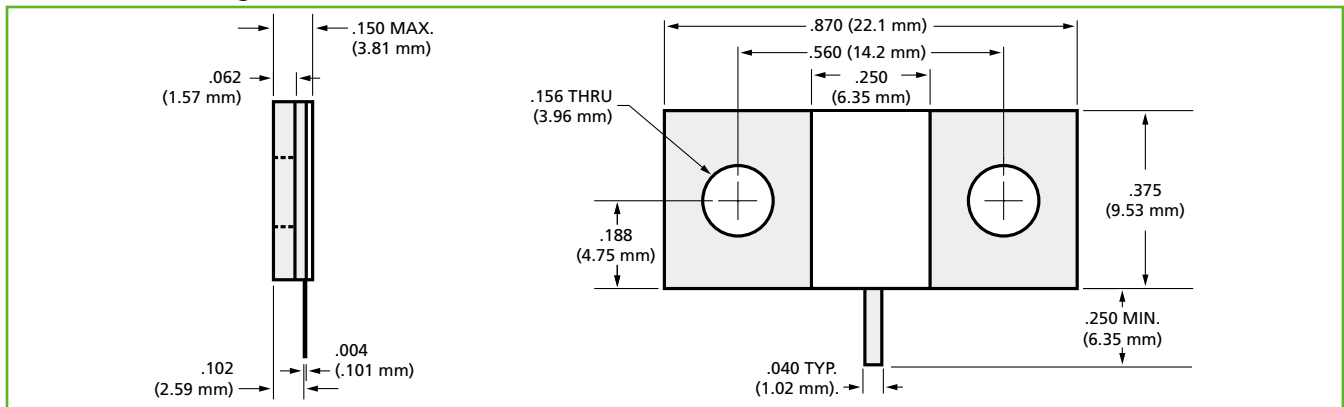
P/N: FT10870N0050J01

Electrical Specifications

- Nominal Impedance: 50 Ω \pm 5% standard (\pm 2% available)
- Power: 150 Watts
- Frequency: DC to 1.1 GHz
- VSWR: 1.20:1
- Operating Temperature Range: -55°C to +150°C
- Temperature Coefficient: <150 ppm/°C
- RoHS Compliant



Dimension Drawing



A M E R I C A N T E C H N I C A L C E R A M I C S

ATC North America
631-622-4700 • sales@atceramics.com

ATC Europe
+46 8 6800410 • sales@atceramics-europe.com

ATC Asia
+86-755-8366-4318 • sales@atceramics-asia.com

w w w . a t c e r a m i c s . c o m

High Power, Flange Mount Termination

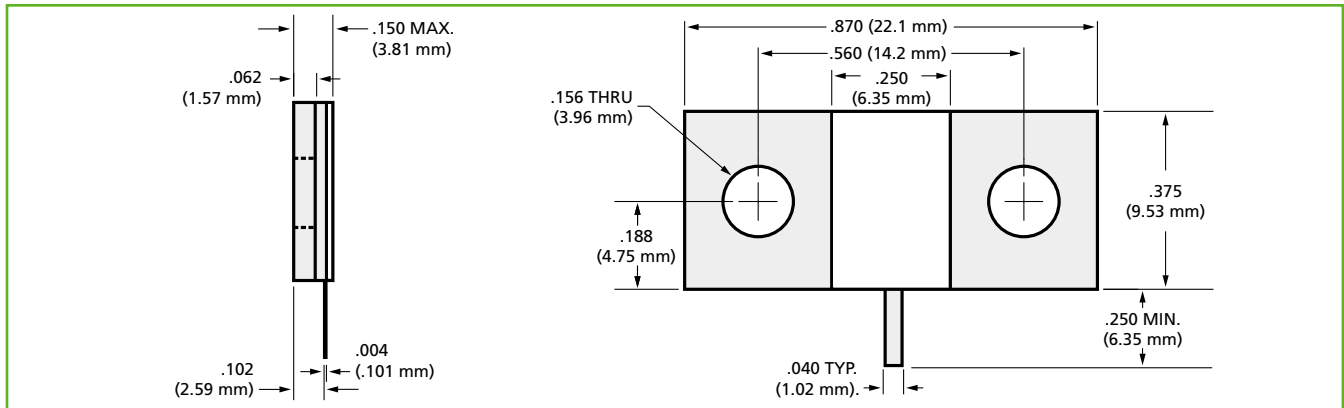
P/N: FT10870N0050J02

Electrical Specifications

- Nominal Impedance: 50 Ω ±5% standard (±2% available)
- Power: 150 Watts
- Frequency: DC to 4 GHz
- VSWR: 1.25:1
- Operating Temperature Range: -55°C to +150°C
- Temperature Coefficient: <150 ppm/°C
- RoHS Compliant



Dimension Drawing



High Power, Flange Mount Termination

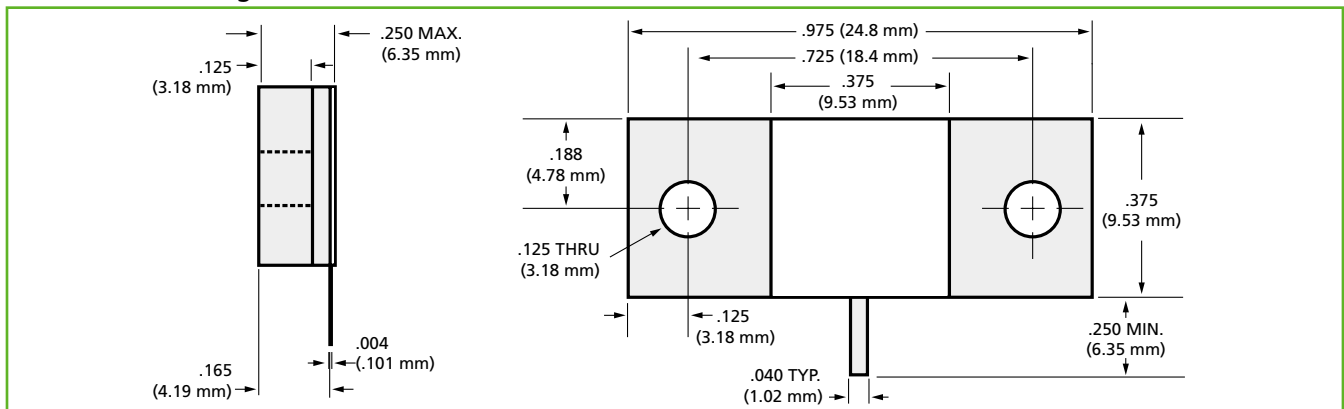
P/N: FT10975N0050JBK

Electrical Specifications

- Nominal Impedance: 50 Ω ±5% standard (±2% available)
- Power: 125 Watts
- Frequency: DC to 2.0 GHz
- VSWR: 1.20:1
- Operating Temperature Range: -55°C to +150°C
- Temperature Coefficient: <150 ppm/°C
- RoHS Compliant



Dimension Drawing



High Power, Flange Mount Termination

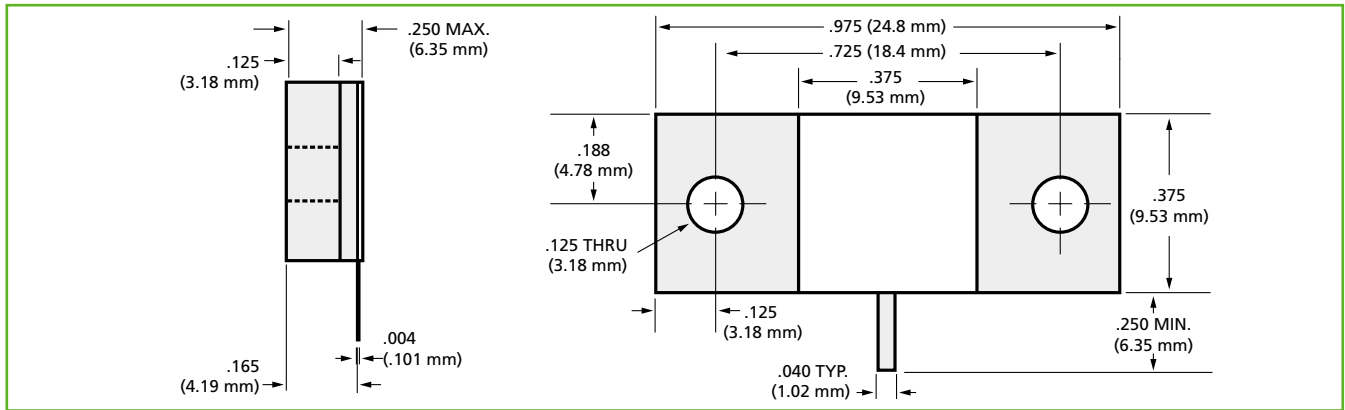
P/N: FT10975N0050J01

Electrical Specifications

- Nominal Impedance: 50 Ω ±5% standard (±2% available)
- Power: 225 Watts
- Frequency: DC to 1.0 GHz
- VSWR: 1.20:1
- Operating Temperature Range: -55°C to +150°C
- Temperature Coefficient: <150 ppm/°C
- RoHS Compliant



Dimension Drawing



High Power, Flange Mount Termination

P/N: FT10975N0050J02

Electrical Specifications

- Nominal Impedance: 50 Ω ±5% standard (±2% available)
- Power: 250 Watts
- Frequency: DC to 1.0 GHz
- VSWR: 1.20:1
- Operating Temperature Range: -55°C to +150°C
- Temperature Coefficient: <150 ppm/°C
- RoHS Compliant



Dimension Drawing

