

BROADBAND COAXIAL ISOLATOR

P/N:G511



FEATURES AND APPLICATION:

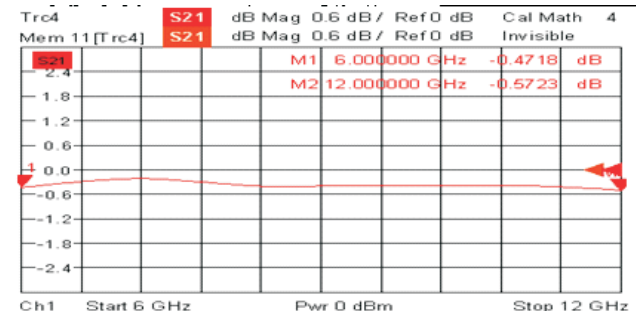
- ◆ Octave or even wider Bandwidth with coaxial connectors at Input and Output Port
- ◆ Could be used in EW, Radar, Test systems and Wide Band Microwave Assemblys.

TECHNICAL SPECIFICATIONS:

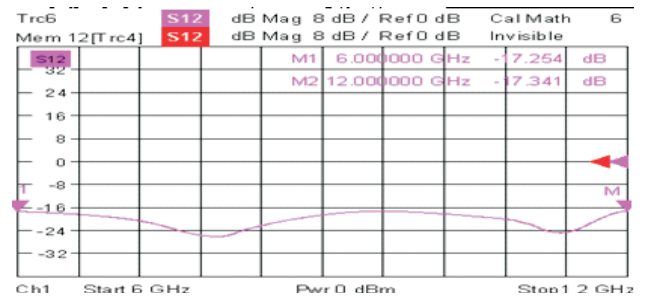
Model Number	Frequency Range	Insertion Loss	VSWR	Isolation	Average Power FWD/REV	Transmission Direction	Connector
G511-1P	5.7-7.1GHz	0.3dB	1.2	21dB	10W / 2W	From Left To Right	SMA-F
G511-1C	7-8.5GHz	0.3dB	1.2	21dB			
G511-1H	10.1-11.7GHz	0.3dB	1.2	21dB			
G511-1L	6-12GHz	0.6dB	1.4	17dB			

TYPICAL PLOT:

Insertion loss



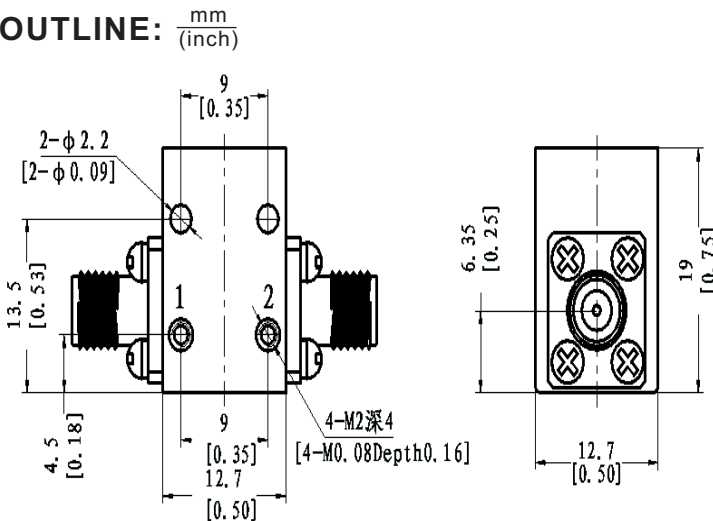
Isolation



ENVIRONMENTAL PARAMETERS:

WORKING TEMPERATURE: -20~+70°C

OUTLINE:



VSWR

