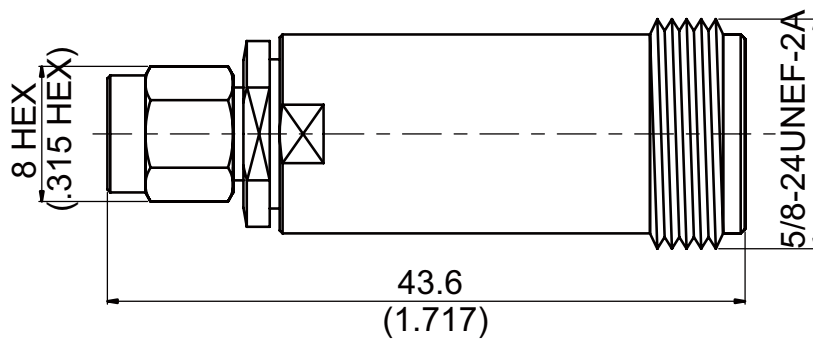


AD-A3N8-18

SMA PLUG TO N JACK FOR 18 GHz 50Ω



Typical VSWR

Part Number	1 GHz	2~4 GHz	5 GHz	6~7 GHz	8~10 GHz	11~18GHz
AD-A3N8-18	1.03	1.05	1.1	1.11	1.16	1.18

Parts	Material	Plating (Micro-inch)
Retainer Ring	Beryllium Copper	Tin-Zinc-Copper-Alloy 200 Over Copper 50
Ferrule	Brass	Gold 5 Over Nickel 50 Over Copper 50
Gasket	Silicon	
Contact Pin	Beryllium Copper	Gold 20 Over Nickel 50 Over Copper 50
Holder	Copper	Gold 5 Over Nickel 50 Over Copper 50
Insulator	P.P.O	
Insulator	PTFE	
Body(SMA)	Brass	Gold 5 Over Nickel 50 Over Copper 50
Body (N)	Brass	Tin-Zinc-Copper-Alloy 200 Over Copper 50
Coupling Nut	Brass	Gold 5 Over Nickel 50 Over Copper 50

Weight: 34.28 g

This part number complies with RoHS.

Notice: JYEBAO reserves the right to make modifications deemed appropriate.