

DROP-IN CIRCULATOR

- Broad Selection of Frequency and Bandwidth (0.3GHz-18GHz, from 3% to Full Bandwidth)
- Wide Variety of Package
- Military, Space and Commercial Applications
- High Power Handling
- High Typical Isolation Above 25dB
- Low Insertion Loss Below 0.3dB
- Wide Operation Temperature Range
- Custom Design Available Upon Request (see select-a-frequency section)



DROP-IN CIRCULATOR BY APPLICATION

FREQUENCY (GHz)		MODEL	ISOLATION	INS LOSS	VSWR	OPERATING	PWR	IMD (-dBc)MAX	SIZE L*W*H	PACKAGE	ATTENUATION
F1	F2	NUMBER	(dB) MIN	(dB) MAX	MAX	TEMP(°C)	AVG (W)	@ 2X47dBm	(mm)	CODE	OPTION(dB/100W)
VHF APPLICATION											
0.132	0.144	JCD0132T0144G15	18	0.60	1.30	0~60	150	NO DATA	70*70*15	CD20	20dB/30dB AVAILABLE
0.144	0.148	JCD0144T0148G15	18	0.60	1.30	0~60	150	NO DATA	70*70*15	CD20	20dB/30dB AVAILABLE
0.148	0.156	JCD0148T0156G15	18	0.60	1.30	0~60	150	NO DATA	70*70*15	CD20	20dB/30dB AVAILABLE
0.156	0.174	JCD0156T0174G15	18	0.60	1.30	0~60	150	NO DATA	70*70*15	CD20	20dB/30dB AVAILABLE
UHF / TETRA APPLICATION											
0.300	0.420	JCD0300T0420G15	18	0.50	1.30	-30~+60	150	NO DATA	52*58*16	CD01	20dB/30dB AVAILABLE
0.380	0.400	JCD0380T0400G15	25	0.25	1.15	-30~+60	150	NO DATA	52*58*16	CD01	20dB/30dB AVAILABLE
0.380	0.460	JCD0380T0460G15	20	0.40	1.25	-30~+60	150	NO DATA	52*58*16	CD01	20dB/30dB AVAILABLE
0.410	0.430	JCD0410T0430G15	20	0.40	1.25	-30~+60	150	NO DATA	44*50*16	CD02	20dB/30dB AVAILABLE
0.420	0.450	JCD0420T0450G15	25	0.25	1.15	-30~+60	150	NO DATA	44*50*16	CD02	20dB/30dB AVAILABLE
0.450	0.470	JCD0450T0470G15	25	0.25	1.15	-30~+60	150	NO DATA	44*50*16	CD02	20dB/30dB AVAILABLE
0.470	0.512	JCD0470T0512G15	25	0.25	1.15	-30~+60	150	NO DATA	44*50*16	CD02	20dB/30dB AVAILABLE
0.512	0.698	JCD0512T0698G15	20	0.40	1.25	-30~+60	150	NO DATA	44*50*16	CD02	20dB/30dB AVAILABLE
0.698	0.806	JCD0698T0806G15	20	0.40	1.25	-30~+60	150	NO DATA	44*50*16	CD02	20dB/30dB AVAILABLE
DIGITAL TV APPLICATION											
0.470	0.600	JCD0470T0600G15	20	0.40	1.25	-30~+60	150	NO DATA	44*50*16	CD02	20dB/30dB AVAILABLE
RFID APPLICATION											
0.860	0.872	JCD0860T0872M15	23	0.22	1.15	-30~+75	150	-75	25.4*25.4*10	CD21	20dB/30dB AVAILABLE
0.860	0.960	JCD0860T0960M15	21	0.30	1.20	-30~+75	150	-75	25.4*25.4*10	CD21	20dB/30dB AVAILABLE
0.902	0.928	JCD0902T0928M15	23	0.22	1.15	-30~+75	150	-75	25.4*25.4*10	CD21	20dB/30dB AVAILABLE
0.950	0.956	JCD0950T0956M15	23	0.22	1.15	-30~+75	150	-75	25.4*25.4*10	CD21	20dB/30dB AVAILABLE
CELLULAR GSM APPLICATION											
0.800	0.960	JCD0800T0960M15	20	0.40	1.25	-20~+85	150	-70	25.4*25.4*10	CD21	20dB/30dB AVAILABLE
0.824	0.849	JCD0824T0849M15	23	0.22	1.15	-20~+85	150	-75	25.4*25.4*10	CD21	20dB/30dB AVAILABLE
0.824	0.849	JCD0824T0849M10-II	20	0.35	1.20	-20~+85	100	-65	19*19*10	CD22	20dB/30dB AVAILABLE
0.869	0.894	JCD0869T0894M15	23	0.22	1.15	-20~+85	150	-75	25.4*25.4*10	CD21	20dB/30dB AVAILABLE
0.869	0.894	JCD0869T0894M10-II	20	0.35	1.20	-20~+85	100	-65	19*19*10	CD22	20dB/30dB AVAILABLE
0.869	0.960	JCD0869T0960M15	22	0.25	1.20	-20~+85	150	-70	25.4*25.4*10	CD21	20dB/30dB AVAILABLE
0.876	0.880	JCD0876T0880M15	22	0.22	1.15	-20~+85	150	-75	25.4*25.4*10	CD21	20dB/30dB AVAILABLE
0.876	0.880	JCD0876T0880M10-II	20	0.35	1.20	-20~+85	100	-65	19*19*10	CD22	20dB/30dB AVAILABLE
0.880	0.915	JCD0880T0915M15	22	0.22	1.15	-20~+85	150	-75	25.4*25.4*10	CD21	20dB/30dB AVAILABLE
0.880	0.915	JCD0880T0915M10-II	20	0.35	1.20	-20~+85	100	-65	19*19*10	CD22	20dB/30dB AVAILABLE
0.921	0.925	JCD0921T0925M15	22	0.22	1.15	-20~+85	150	-75	25.4*25.4*10	CD21	20dB/30dB AVAILABLE
0.921	0.925	JCD0921T0925M10-II	20	0.35	1.20	-20~+85	100	-65	19*19*10	CD22	20dB/30dB AVAILABLE
0.923	0.962	JCD0923T0962M15	22	0.22	1.15	-20~+85	150	-75	25.4*25.4*10	CD21	20dB/30dB AVAILABLE
0.923	0.962	JCD0923T0962M10-II	20	0.35	1.20	-20~+85	100	-65	19*19*10	CD22	20dB/30dB AVAILABLE
0.925	0.960	JCD0925T0960M15	22	0.22	1.15	-20~+85	150	-75	25.4*25.4*10	CD21	20dB/30dB AVAILABLE
0.925	0.960	JCD0925T0960M10-II	20	0.35	1.20	-20~+85	100	-65	19*19*10	CD22	20dB/30dB AVAILABLE
0.935	0.960	JCD0935T0960M15	22	0.22	1.15	-20~+85	150	-75	25.4*25.4*10	CD21	20dB/30dB AVAILABLE
0.935	0.960	JCD0935T0960M10-II	20	0.35	1.20	-20~+85	100	-65	19*19*10	CD22	20dB/30dB AVAILABLE
CELLULAR DCS/PCS APPLICATION											
1.710	1.785	JCD1710T1785M10	22	0.25	1.15	-35~+85	100	-70	19*19*10	CD22	20dB/30dB AVAILABLE
1.710	1.785	JCD1710T1785M15-II	22	0.22	1.15	-35~+85	150	-75	25.4*25.4*10	CD21	20dB/30dB AVAILABLE
1.803	1.882	JCD1803T1882M10	22	0.25	1.15	-35~+85	100	-70	19*19*10	CD22	20dB/30dB AVAILABLE
1.803	1.882	JCD1803T1882M15-II	22	0.22	1.15	-35~+85	150	-75	25.4*25.4*10	CD21	20dB/30dB AVAILABLE
1.805	1.880	JCD1805T1880M10	22	0.25	1.15	-35~+85	100	-70	19*19*10	CD22	20dB/30dB AVAILABLE
1.805	1.880	JCD1805T1880M15-II	22	0.22	1.15	-35~+85	150	-75	25.4*25.4*10	CD21	20dB/30dB AVAILABLE
1.805	1.990	JCD1805T1990M10	21	0.35	1.25	-35~+85	100	-70	19*19*10	CD22	20dB/30dB AVAILABLE
1.805	1.990	JCD1805T1990M15-II	21	0.30	1.25	-35~+85	150	-75	25.4*25.4*10	CD21	20dB/30dB AVAILABLE
1.850	1.910	JCD1850T1910M10	21	0.25	1.25	-35~+85	100	-70	19*19*10	CD22	20dB/30dB AVAILABLE
1.850	1.910	JCD1850T1910M15-II	22	0.25	1.25	-35~+85	150	-75	25.4*25.4*10	CD21	20dB/30dB AVAILABLE
1.930	1.990	JCD1930T1990M10	22	0.22	1.15	-35~+85	100	-75	19*19*10	CD22	20dB/30dB AVAILABLE
1.930	1.990	JCD1930T1990M15-II	22	0.22	1.15	-35~+85	150	-75	25.4*25.4*10	CD21	20dB/30dB AVAILABLE
1.930	1.990	JCD1930T1990M6-II	20	0.35	1.25	-35~+85	60	-60	12.7*12.7*8	CD23	20dB/30dB AVAILABLE



1-888-236-9828 (USA)

JQL ELECTRONICS INC.
1-630-930-9917 (International)

sales@jqlelectronics.com

DROP-IN CIRCULATOR

DROP-IN CIRCULATOR BY APPLICATION

FREQUENCY (GHz)		MODEL	ISOLATION	INS LOSS	VSWR	OPERATING	PWR	IMD (-dBc)MAX	SIZE L*W*H	PACKAGE	ATTENUATION
F1	F2	NUMBER	(dB) MIN	(dB) MAX	MAX	TEMP(°C)	AVG (W)	@ 2X47dBm	(mm)	CODE	OPTION(dB/100W)
CELLULAR UMTS/CDMA APPLICATION											
2.080	2.200	JCD2080T2200M10	22	0.22	1.15	-35~+85	100	-75	19*19*10	CD22	20 / 30 AVALIBLE
2.080	2.200	JCD2080T2200M10-II	22	0.22	1.15	-35~+85	100	-75	25.4*25.4*10	CD21	20 / 30 AVALIBLE
2.110	2.170	JCD2110T2170M10	22	0.22	1.15	-35~+85	100	-75	19*19*10	CD22	20 / 30 AVALIBLE
2.110	2.170	JCD2110T2170M10-II	22	0.22	1.15	-35~+85	100	-75	25.4*25.4*10	CD21	20 / 30 AVALIBLE
2.110	2.170	JCD2110T2170M6-III	22	0.22	1.15	-35~+85	60	-60	12.7*12.7*8	CD23	20 / 30 AVALIBLE
WIMAX APPLICATION											
2.300	2.500	JCD2300T2500M10	21	0.25	1.25	-35~+85	100	-75	19*19*10	CD22	20 / 30 AVALIBLE
2.300	2.500	JCD2300T2500M10-II	22	0.25	1.25	-35~+85	100	-75	25.4*25.4*10	CD21	20 / 30 AVALIBLE
2.496	2.690	JCD2496T2690M10	21	0.25	1.25	-35~+85	100	-75	19*19*10	CD22	20 / 30 AVALIBLE
2.496	2.690	JCD2496T2690M10-II	22	0.25	1.25	-35~+85	100	-75	25.4*25.4*10	CD21	20 / 30 AVALIBLE
2.500	2.700	JCD2500T2700M10	21	0.25	1.25	-35~+85	100	-75	19*19*10	CD22	20 / 30 AVALIBLE
2.500	2.700	JCD2500T2700M10-II	22	0.25	1.25	-35~+85	100	-75	25.4*25.4*10	CD21	20 / 30 AVALIBLE
3.100	3.500	JCD3100T3500M0-II	20	0.40	1.20	-35~+85	5	NO DATA	12.7*12.7*8	CD23	N/A
3.300	3.500	JCD3300T3500G6	23	0.30	1.20	-35~+85	60	NO DATA	19*19*7.7	CD16	N/A
3.300	3.500	JCD3300T3500M0-II	20	0.40	1.20	-35~+85	5	NO DATA	12.7*12.7*8	CD23	N/A
3.300	3.800	JCD3300T3800G6	21	0.40	1.25	-35~+85	60	NO DATA	19*19*7.7	CD16	N/A
3.300	3.800	JCD3300T3800M0-II	20	0.40	1.25	-35~+85	5	NO DATA	12.7*12.7*8	CD23	N/A
3.400	3.600	JCD3400T3600G6	23	0.30	1.20	-35~+85	60	NO DATA	19*19*7.7	CD16	N/A
3.400	3.600	JCD3400T3600M0-II	20	0.40	1.20	-35~+85	5	NO DATA	12.7*12.7*8	CD23	N/A

DROP-IN CIRCULATOR

FREQUENCY (GHz)		MODEL	ISOLATION	INS LOSS	VSWR	OPERATING	PWR	SIZE L*W*H	PACKAGE
F1	F2	NUMBER	(dB) MIN	(dB) MAX	MAX	TEMP(°C)	AVG (W)	(mm)	CODE
0.132	0.144	JCD0132T0144G15	18	0.60	1.30	0-60	150	70*70*15	CD20
0.144	0.148	JCD0144T0148G15	18	0.60	1.30	0-60	150	70*70*15	CD20
0.148	0.156	JCD0148T0156G15	18	0.60	1.30	0-60	150	70*70*15	CD20
0.156	0.174	JCD0156T0174G15	18	0.60	1.30	0-60	150	70*70*15	CD20
0.300	0.400	JCD0300T0400G6	15	0.70	1.25	-40~+85	60	44*50*16	CD02
0.300	0.420	JCD0300T0420G15	18	0.50	1.30	-30~+60	150	52*58*16	CD01
0.380	0.400	JCD0380T0400G15	25	0.25	1.15	-30~+60	150	52*58*16	CD01
0.380	0.450	JCD0380T0450G15	18	0.50	1.25	-10~+60	150	52*58*16	CD01
0.380	0.460	JCD0380T0460G15	20	0.40	1.25	-30~+60	150	52*58*16	CD01
0.400	0.500	JCD0400T0500G6	18	0.60	1.25	-40~+85	60	44*50*16	CD02
0.410	0.430	JCD0410T0430G15	20	0.40	1.25	-30~+60	150	44*50*16	CD02
0.420	0.450	JCD0420T0450G15	25	0.25	1.15	-30~+60	150	44*50*16	CD02
0.450	0.470	JCD0450T0470G15	25	0.25	1.15	-30~+60	150	44*50*16	CD02
0.470	0.512	JCD0470T0512G15	25	0.25	1.15	-30~+60	150	44*50*16	CD02
0.512	0.698	JCD0512T0698G15	20	0.40	1.25	-30~+60	150	44*50*16	CD02
0.698	0.806	JCD0698T0806G15	20	0.40	1.25	-30~+60	150	44*50*16	CD02
0.470	0.600	JCD0470T0600G15	20	0.40	1.25	-30~+60	150	44*50*16	CD02
0.858	0.878	JCD0858T0878S10	20	0.40	1.20	-30~+70	100	25.4*25.4*6.8	CD08
0.860	0.872	JCD0860T0872M15	23	0.22	1.15	-30~+75	150	25.4*25.4*10	CD21
0.860	0.960	JCD0860T0960M15	21	0.30	1.20	-30~+75	150	25.4*25.4*10	CD21
0.902	0.928	JCD0902T0928M15	23	0.22	1.15	-30~+75	150	25.4*25.4*10	CD21
0.950	0.956	JCD0950T0956M15	23	0.22	1.15	-30~+75	150	25.4*25.4*10	CD21
0.800	0.960	JCD0800T0960M15	20	0.40	1.25	-20~+85	150	25.4*25.4*10	CD21
0.824	0.849	JCD0824T0849M15	23	0.22	1.15	-20~+85	150	25.4*25.4*10	CD21
0.824	0.849	JCD0824T0849M10-II	20	0.35	1.20	-20~+85	100	19*19*10	CD22
0.850	0.875	JCD0850T0875S10	20	0.40	1.20	-30~+70	100	25.4*25.4*6.8	CD08
0.869	0.894	JCD0869T0894G3	23	0.35	1.20	-30~+70	30	20*20*8.6	CD03
0.869	0.894	JCD0869T0894G10	23	0.30	1.20	-30~+70	100	25.4*25.4*6.8	CD08
0.869	0.894	JCD0869T0894G6	25	0.30	1.20	-30~+70	60	25.4*25.4*12	CD09
0.869	0.894	JCD0869T0894M15	23	0.22	1.15	-20~+85	150	25.4*25.4*10	CD21
0.869	0.894	JCD0869T0894M10-II	20	0.35	1.20	-20~+85	100	19*19*10	CD22
0.869	0.960	JCD0869T0960M15	22	0.25	1.20	-20~+85	150	25.4*25.4*10	CD21
0.876	0.880	JCD0876T0880M15	22	0.22	1.15	-20~+85	150	25.4*25.4*10	CD21
0.876	0.880	JCD0876T0880M10-II	20	0.35	1.20	-20~+85	100	19*19*10	CD22
0.880	0.915	JCD0880T0915M15	22	0.22	1.15	-20~+85	150	25.4*25.4*10	CD21
0.880	0.915	JCD0880T0915M10-II	20	0.35	1.20	-20~+85	100	19*19*10	CD22
0.890	0.960	JCD0890T0960S10	20	0.40	1.20	-20~+85	100	25.4*25.4*6.8	CD08
0.902	0.928	JCD0902T0928S10	23	0.30	1.20	-30~+70	100	25.4*25.4*6.8	CD08
0.921	0.925	JCD0921T0925M15	22	0.22	1.15	-20~+85	150	25.4*25.4*10	CD21
0.921	0.925	JCD0921T0925M10-II	20	0.35	1.20	-20~+85	100	19*19*10	CD22
0.923	0.962	JCD0923T0962M15	22	0.22	1.15	-20~+85	150	25.4*25.4*10	CD21
0.923	0.962	JCD0923T0962M10-II	20	0.35	1.20	-20~+85	100	19*19*10	CD22



500 Lake Cook Road, Suite 350, Deerfield, IL 60015, USA
 Tel:1(888)236-9828/ 1(630)930-9917 Fax:1(630)823-2902
 Website:www.jqlelectronics.com email: sales@jqlelectronics.com

DROP-IN CIRCULATOR

DROP-IN CIRCULATOR									
FREQUENCY (GHz)		MODEL	ISOLATION	INS LOSS	VSWR	OPERATING	PWR	SIZE L*W*H	PACKAGE
F1	F2	NUMBER	(dB) MIN	(dB) MAX	MAX	TEMP(°C)	AVG (W)	(mm)	CODE
0.925	0.960	JCD0925T0960G3	23	0.35	1.20	-30~+70	30	20*20*8.6	CD03
0.925	0.960	JCD0925T0960G10	23	0.30	1.20	-30~+70	100	25.4*25.4*6.8	CD08
0.925	0.960	JCD0925T0960G6	25	0.30	1.20	-30~+70	60	25.4*25.4*12	CD09
0.925	0.960	JCD0925T0960M15	22	0.22	1.15	-20~+85	150	25.4*25.4*10	CD21
0.925	0.960	JCD0925T0960M10-II	20	0.35	1.20	-20~+85	100	19*19*10	CD22
0.935	0.960	JCD0935T0960M15	22	0.22	1.15	-20~+85	150	25.4*25.4*10	CD21
0.935	0.960	JCD0935T0960M10-II	20	0.35	1.20	-20~+85	100	19*19*10	CD22
0.962	1.213	JCD0962T1213G10	20	0.50	1.25	-30~+70	100	30*33*12	CD06
0.980	1.080	JCD0980T1080G6	20	0.40	1.25	-30~+70	60	25.4*28.5*12	CD07
0.980	1.080	JCD0980T1080G6-B	20	0.40	1.20	-30~+70	60	25.4*25.4*12	CD09
1.030	1.090	JCD1030T1090G10	23	0.30	1.20	-30~+70	100	30*33*12	CD06
1.030	1.090	JCD1030T1090G6	20	0.40	1.20	-30~+70	60	25.4*25.4*12	CD09
1.080	1.195	JCD1080T1195G6	20	0.40	1.20	-30~+70	60	25.4*25.4*12	CD09
1.200	1.400	JCD1200T1400G6	20	0.40	1.20	-30~+70	60	25.4*25.4*12	CD09
1.300	1.400	JCD1300T1400G6	20	0.40	1.20	-40~+85	60	25.4*25.4*12	CD09
1.435	1.535	JCD1435T1535G6	20	0.40	1.20	-30~+70	60	25.4*25.4*12	CD10
1.525	1.559	JCD1525T1559G6	23	0.30	1.20	-30~+70	60	20*25.4*12	CD11
1.710	1.785	JCD1710T1785M10	22	0.25	1.15	-35~+85	100	19*19*10	CD22
1.710	1.785	JCD1710T1785M15-II	22	0.22	1.15	-35~+85	150	25.4*25.4*10	CD21
1.803	1.882	JCD1803T1882M10	22	0.25	1.15	-35~+85	100	19*19*10	CD22
1.803	1.882	JCD1803T1882M15-II	22	0.22	1.15	-35~+85	150	25.4*25.4*10	CD21
1.805	1.880	JCD1805T1880M10	22	0.25	1.15	-35~+85	100	19*19*10	CD22
1.805	1.880	JCD1805T1880M15-II	22	0.22	1.15	-35~+85	150	25.4*25.4*10	CD21
1.805	1.880	JCD1805T1880G6	25	0.30	1.20	-30~+70	60	19*19*8.2	CD12
1.805	1.880	JCD1805T1880S6	23	0.30	1.20	-30~+70	60	19*19*5.6	CD13
1.805	1.990	JCD1805T1990M10	21	0.35	1.25	-35~+85	100	19*19*10	CD22
1.805	1.990	JCD1805T1990M15-II	21	0.30	1.25	-35~+85	150	25.4*25.4*10	CD21
1.850	1.910	JCD1850T1910M10	21	0.25	1.25	-35~+85	100	19*19*10	CD22
1.850	1.910	JCD1850T1910M15-II	22	0.25	1.25	-35~+85	150	25.4*25.4*10	CD21
1.900	2.030	JCD1900T2030G6	25	0.30	1.20	-30~+70	60	19*19*8.2	CD12
1.900	2.030	JCD1900T2030S6	23	0.30	1.20	-30~+70	60	19*19*5.6	CD13
1.930	1.990	JCD1930T1990M10	22	0.22	1.15	-35~+85	100	19*19*10	CD22
1.930	1.990	JCD1930T1990M15-II	22	0.22	1.15	-35~+85	150	25.4*25.4*10	CD21
1.930	1.990	JCD1930T1990M6-III	20	0.35	1.25	-35~+85	60	12.7*12.7*8	CD23
1.930	1.990	JCD1930T1990G6	25	0.30	1.20	-30~+70	60	19*19*8.2	CD12
1.930	1.990	JCD1930T1990S6	23	0.30	1.20	-30~+70	60	19*19*5.6	CD13
1.960	2.170	JCD1960T2170G6	20	0.40	1.20	-30~+70	60	25.4*25.4*12	CD10
2.070	2.140	JCD2070T2140G6	25	0.30	1.20	-30~+70	60	19*19*8.2	CD12
2.070	2.140	JCD2070T2140S6	23	0.30	1.20	-30~+70	60	19*19*5.6	CD13
2.080	2.200	JCD2080T2200M10	22	0.22	1.15	-35~+85	100	19*19*10	CD22
2.080	2.200	JCD2080T2200M10-II	22	0.22	1.15	-35~+85	100	25.4*25.4*10	CD21
2.080	2.200	JCD2080T2200M6-III	20	0.30	1.25	-35~+85	60	12.7*12.7*8	CD23
2.095	2.185	JCD2095T2185G6	25	0.30	1.20	-30~+70	60	19*19*8.2	CD12
2.095	2.185	JCD2095T2185S6	23	0.30	1.20	-30~+70	60	19*19*5.6	CD13
2.100	2.300	JCD2100T2300G6	20	0.40	1.20	-30~+70	60	25.4*25.4*12	CD10
2.100	2.300	JCD2100T2300G2	23	0.30	1.20	-30~+70	20	20*25*11.5	CD15
2.110	2.170	JCD2110T2170M10	22	0.22	1.15	-35~+85	100	19*19*10	CD22
2.110	2.170	JCD2110T2170M10-II	22	0.22	1.15	-35~+85	100	25.4*25.4*10	CD21
2.110	2.170	JCD2110T2170M6-III	22	0.22	1.15	-35~+85	60	12.7*12.7*8	CD23
2.200	2.300	JCD2200T2300G6	20	0.40	1.25	-30~+70	60	19*19*8.2	CD12
2.200	2.300	JCD2200T2300S6	20	0.40	1.25	-30~+70	60	19*19*5.6	CD13
2.300	2.500	JCD2300T2500M10	21	0.25	1.25	-35~+85	100	19*19*10	CD22
2.300	2.500	JCD2300T2500M10-II	22	0.25	1.25	-35~+85	100	25.4*25.4*10	CD21
2.400	2.500	JCD2400T2500S6	23	0.35	1.20	-30~+70	60	19*19*5.6	CD13
2.496	2.690	JCD2496T2690M10	21	0.25	1.25	-35~+85	100	19*19*10	CD22
2.496	2.690	JCD2496T2690M10-II	22	0.25	1.25	-35~+85	100	25.4*25.4*10	CD21
2.500	2.700	JCD2500T2700M10	21	0.25	1.25	-35~+85	100	19*19*10	CD22
2.500	2.700	JCD2500T2700M10-II	22	0.25	1.25	-35~+85	100	25.4*25.4*10	CD21
2.500	2.700	JCD2500T2700G2	23	0.30	1.20	-30~+70	20	20*25*11.5	CD15
2.500	2.800	JCD2500T2800S1	20	0.50	1.25	-40~+80	10	19*19*5.6	CD13
2.700	2.900	JCD2700T2900G2	23	0.30	1.20	-30~+70	20	20*25*11.5	CD15
2.800	3.300	JCD2800T3300G2	18	0.60	1.25	-30~+70	20	25*26*11.5	CD14
2.850	3.550	JCD2850T3550G2	22	0.40	1.20	-15~+50	20	25*26*11.5	CD14
2.900	3.100	JCD2900T3100G2	20	0.40	1.25	-30~+70	20	25*26*11.5	CD14



JQL ELECTRONICS INC.
 1-888-236-9828 (USA) 1-630-930-9917 (International) sales@jqlelectronics.com

DROP-IN CIRCULATOR

DROP-IN CIRCULATOR

FREQUENCY (GHz)		MODEL	ISOLATION	INS LOSS	VSWR	OPERATING	PWR	SIZE L*W*H	PACKAGE
F1	F2	NUMBER	(dB) MIN	(dB) MAX	MAX	TEMP (°C)	AVG (W)	(mm)	CODE
3.000	3.400	JCD3000T3400G2	20	0.40	1.25	-30~+70	20	25*26*11.5	CD14
3.100	3.500	JCD3100T3500M0-II	20	0.40	1.20	-35~+85	5	12.7*12.7*8	CD23
3.300	3.500	JCD3300T3500G6	23	0.30	1.20	-35~+85	60	19*19*7.7	CD16
3.300	3.500	JCD3300T3500M0-II	20	0.40	1.20	-35~+85	5	12.7*12.7*8	CD23
3.300	3.700	JCD3300T3700S2	22	0.45	1.22	-40~+85	25	19*19*7.7	CD16
3.300	3.800	JCD3300T3800G6	21	0.40	1.25	-35~+85	60	19*19*7.7	CD16
3.300	3.800	JCD3300T3800S2	20	0.30	1.20	-30~+70	20	19*19*7.7	CD16
3.300	3.800	JCD3300T3800G2	20	0.30	1.20	-40~+75	20	16*22*10.5	CD17
3.300	3.800	JCD3300T3800M0-II	20	0.40	1.25	-35~+85	5	12.7*12.7*8	CD23
3.400	3.600	JCD3400T3600G6	23	0.30	1.20	-35~+85	60	19*19*7.7	CD16
3.400	3.600	JCD3400T3600M0-II	20	0.40	1.20	-35~+85	5	12.7*12.7*8	CD23
3.400	3.700	JCD3400T3700G2	23	0.30	1.20	-30~+70	20	19*19*7.7	CD16
3.600	4.200	JCD3600T4200G2	20	0.40	1.20	-40~+75	20	16*22*10.5	CD17
3.700	4.200	JCD3700T4200G2	20	0.40	1.20	-40~+75	20	16*22*10.5	CD17
3.700	4.300	JCD3700T4300G2	20	0.40	1.20	-40~+75	20	16*22*10.5	CD17
4.200	4.400	JCD4200T4400G2-B	23	0.30	1.20	-30~+70	20	19*19*7.7	CD16
4.200	4.400	JCD4200T4400G2	23	0.30	1.20	-40~+75	20	16*22*10.5	CD17
4.350	4.550	JCD4350T4550G2	23	0.30	1.20	-40~+75	20	16*22*10.5	CD17
4.400	5.000	JCD4400T5000G2	20	0.40	1.20	-40~+75	20	16*22*10.5	CD17
4.400	5.000	JCD4400T5000G1	20	0.50	1.25	-40~+75	10	12.7*12.7*6	CD18
4.400	5.200	JCD4400T5200S2	20	0.50	1.25	-40~+85	25	19*19*7.7	CD16
4.500	4.700	JCD4500T4700G2	23	0.30	1.20	-40~+75	20	16*22*10.5	CD17
4.500	4.700	JCD4500T4700G1	23	0.40	1.20	-40~+75	10	12.7*12.7*6	CD18
4.750	5.250	JCD4750T5250G2	20	0.40	1.20	-40~+75	20	16*22*10.5	CD17
4.750	5.250	JCD4750T5250G1	20	0.50	1.25	-40~+75	10	12.7*12.7*6	CD18
5.150	5.650	JCD5150T5650G2	20	0.40	1.20	-40~+75	20	16*22*10.5	CD17
5.150	5.650	JCD5150T5650G1	20	0.50	1.25	-40~+75	10	12.7*12.7*6	CD18
5.400	5.900	JCC5400T5900G2	20	0.40	1.20	-40~+75	20	16*22*10.5	CD17
5.400	5.900	JCC5400T5900G1	20	0.50	1.25	-40~+75	10	12.7*12.7*6	CD18
5.845	6.425	JCD5845T6425G2	20	0.40	1.20	-40~+75	20	16*22*10.5	CD17
5.845	6.425	JCD5845T6425G1	20	0.50	1.25	-40~+75	10	12.7*12.7*6	CD18
5.900	6.400	JCD5900T6400G2	20	0.40	1.20	-40~+75	20	16*22*10.5	CD17
5.900	6.400	JCD5900T6400G1	20	0.50	1.25	-40~+75	10	12.7*12.7*6	CD18
6.600	7.300	JCD6600T7300G1	19	0.50	1.25	-40~+75	10	12.7*12.7*6	CD18
6.900	7.600	JCD6900T7600G1	19	0.50	1.25	-40~+75	10	12.7*12.7*6	CD18
7.000	7.500	JCD7000T7500G1	20	0.40	1.20	-40~+75	10	12.7*17*8	CD19
7.000	7.700	JCD7000T7700G1	20	0.40	1.20	-40~+75	10	12.7*17*8	CD19
7.100	7.700	JCD7100T7700G1	20	0.40	1.20	-40~+75	10	12.7*17*8	CD19
7.125	7.875	JCD7125T7875G1	20	0.40	1.20	-40~+75	10	12.7*17*8	CD19
7.500	8.400	JCD7500T8400G1	20	0.40	1.20	-40~+75	10	12.7*17*8	CD19
7.800	8.600	JCD7800T8600G1	20	0.40	1.20	-40~+75	10	12.7*17*8	CD19
8.000	8.500	JCD8000T8500G1	20	0.40	1.25	-40~+75	10	8.9*12.5*7.8	CD04
8.000	8.500	JCD8000T8500G1-B	20	0.50	1.25	-40~+75	10	8.9*12.5*5.6	CD05
8.600	9.600	JCD8600T9600G1	20	0.40	1.25	-40~+75	10	8.9*12.5*7.8	CD04
8.600	9.600	JCD8600T9600G1-B	20	0.50	1.25	-40~+75	10	8.9*12.5*5.6	CD05
9.000	10.500	JCD9000T10K5G1	18	0.50	1.25	-40~+75	10	8.9*12.5*7.8	CD04
9.200	9.900	JCD9200T9900G1	20	0.40	1.25	-40~+75	10	8.9*12.5*7.8	CD04
9.200	9.900	JCD9200T9900G1-B	20	0.50	1.25	-40~+75	10	8.9*12.5*5.6	CD05
9.500	10.500	JCD9500T10K5G1	20	0.40	1.25	-40~+75	10	8.9*12.5*7.8	CD04
9.500	10.500	JCD9500T10K5G1-B	20	0.50	1.25	-40~+75	10	8.9*12.5*5.6	CD05
10.400	11.300	JCD10K4T11K3G1	20	0.40	1.25	-40~+75	10	8.9*12.5*7.8	CD04
10.400	11.300	JCD10K4T11K3G1-B	20	0.50	1.25	-40~+75	10	8.9*12.5*5.6	CD05
10.700	11.950	JCD10K7T12K0G1	20	0.40	1.25	-40~+75	10	8.9*12.5*7.8	CD04
10.700	11.950	JCD10K7T12K0G1-B	20	0.50	1.25	-40~+75	10	8.9*12.5*5.6	CD05
11.500	12.950	JCD11K5T13K0G1	20	0.40	1.25	-40~+75	10	8.9*12.5*7.8	CD04
11.500	12.950	JCD11K5T13K0G1-B	20	0.50	1.25	-40~+75	10	8.9*12.5*5.6	CD05
12.100	12.800	JCD12K1T12K8G1	20	0.40	1.25	-40~+75	10	8.9*12.5*7.8	CD04
12.100	12.800	JCD12K1T12K8G1-B	20	0.50	1.25	-40~+75	10	8.9*12.5*5.6	CD05
12.700	13.500	JCD12K7T13K5G1	20	0.40	1.25	-40~+75	10	8.9*12.5*7.8	CD04
12.700	13.500	JCD12K7T13K5G1-B	20	0.50	1.25	-40~+75	10	8.9*12.5*5.6	CD05
12.750	14.500	JCD12K7T14K5G1	20	0.40	1.25	-40~+75	10	8.9*12.5*7.8	CD04
12.750	14.500	JCD12K7T14K5G1-B	20	0.50	1.25	-40~+75	10	8.9*12.5*5.6	CD05
13.400	15.000	JCD13K4T15K0G2	20	0.50	1.22	-45~+85	20	8.9*12.5*5.6	CD05
17.200	17.900	JCD17K2T17K9G1	20	0.40	1.25	-40~+75	10	8.9*12.5*7.8	CD04
17.200	17.900	JCD17K2T17K9G1-B	20	0.50	1.25	-40~+75	10	8.9*12.5*5.6	CD05
17.300	18.100	JCD17K3T18K1G1	20	0.40	1.25	-40~+75	10	8.9*12.5*7.8	CD04
17.300	18.100	JCD17K3T18K1G1-B	20	0.50	1.25	-40~+75	10	8.9*12.5*5.6	CD05

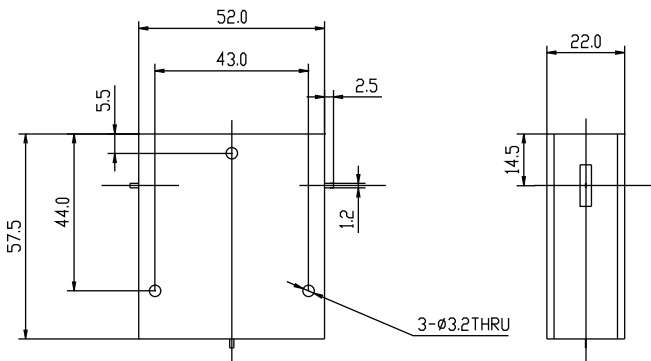


500 Lake Cook Road, Suite 350, Deerfield, IL 60015, USA
 Tel:1(888)236-9828/ 1(630)930-9917 Fax:1(630)823-2902
 Website:www.jqlelectronics.com email: sales@jqlelectronics.com

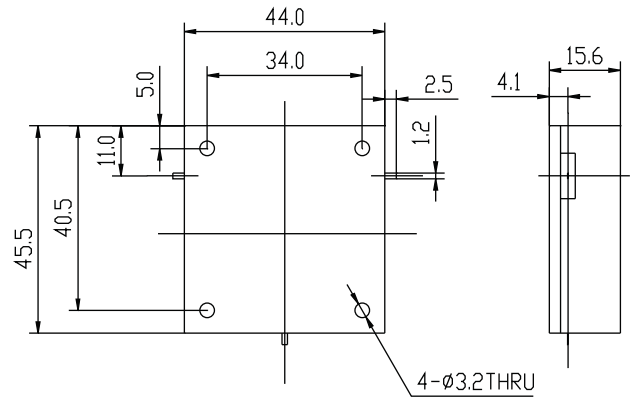
DROP-IN CIRCULATOR

SELECT-A-FREQUENCY DROP-IN CIRCULATOR

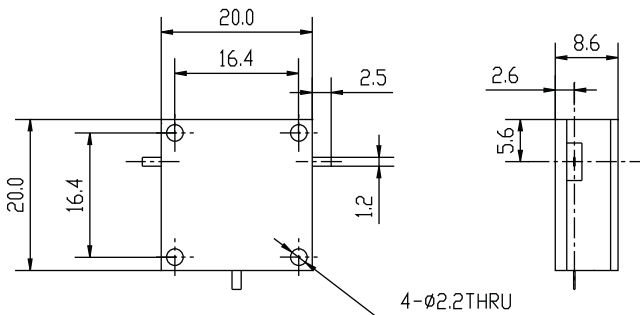
FREQUENCY (GHz)		BANDWIDTH	ISOLATION	INS LOSS	VSWR	OPERATING	PWR HANDLING
F1	F2	UP TO	(dB) MIN	(dB) MAX	MAX	TEMP (°C)	(W)
0.300	0.800	30MHz	23	0.30	1.20	-15~+60	150
0.800	1.000	70MHz	23	0.30	1.20	-15~+60	100
1.000	2.400	25MHz	25	0.30	1.20	-30~+70	60
1.000	2.400	70MHz	23	0.30	1.20	-30~+70	60
1.000	2.400	200MHz	20	0.40	1.20	-30~+70	60
2.000	3.500	200MHz	23	0.30	1.20	-30~+70	60
2.000	3.500	400MHz	20	0.40	1.20	-30~+70	60
3.000	8.000	300MHz	23	0.30	1.20	-40~+75	15
3.000	8.000	600MHz	20	0.40	1.20	-40~+75	15
7.000	18.000	300MHz	23	0.30	1.20	-40~+75	10
7.000	18.000	1000MHz	20	0.40	1.20	-40~+75	10



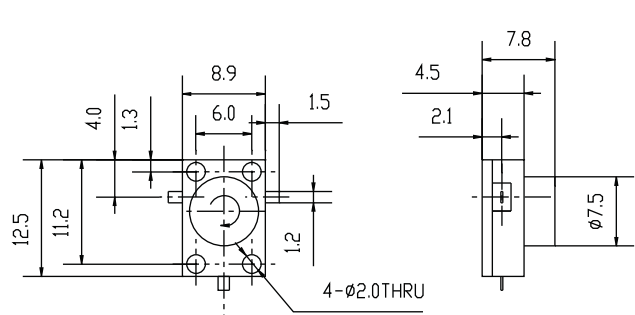
CD01-DROP-IN CIRCULATOR



CD02-DROP-IN CIRCULATOR



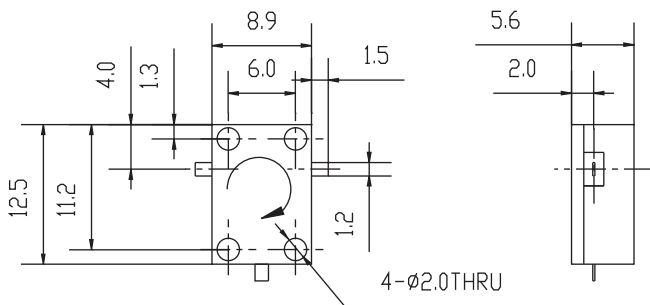
CD03-DROP-IN CIRCULATOR



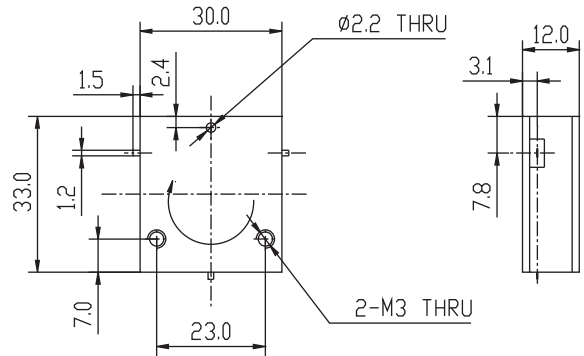
CD04-DROP-IN CIRCULATOR



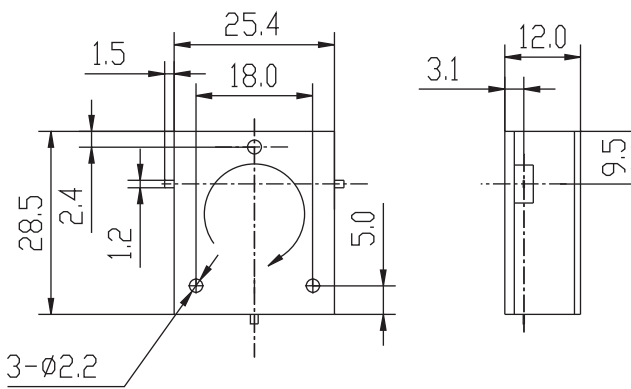
DROP-IN CIRCULATOR



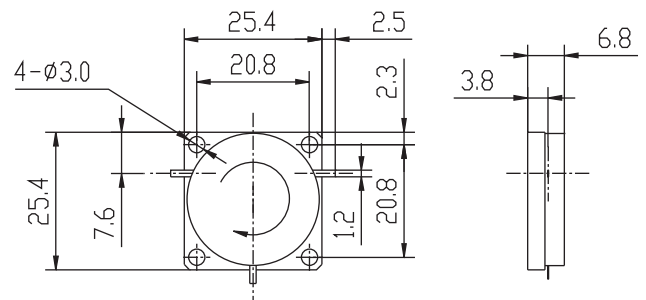
CD05-DROP-IN CIRCULATOR



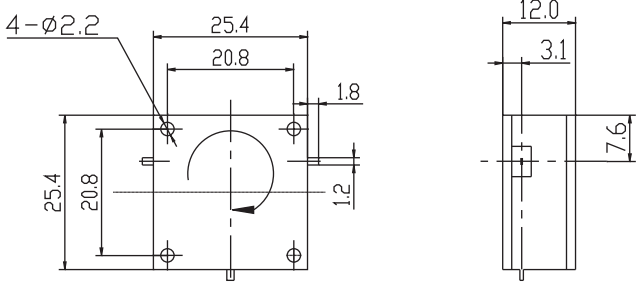
CD06-DROP-IN CIRCULATOR



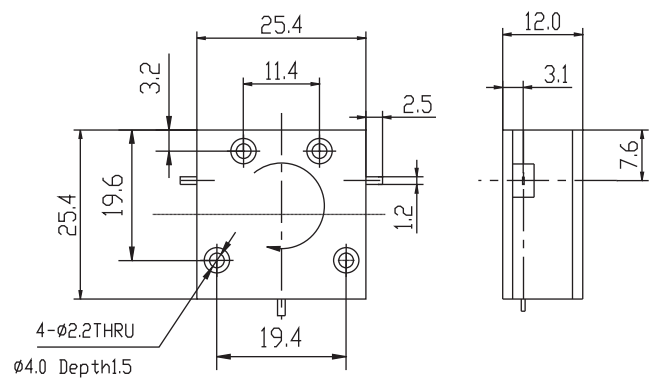
CD07-DROP-IN CIRCULATOR



CD08-DROP-IN CIRCULATOR



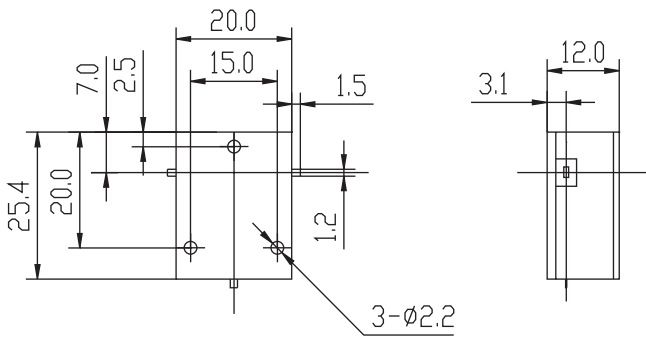
CD09-DROP-IN CIRCULATOR



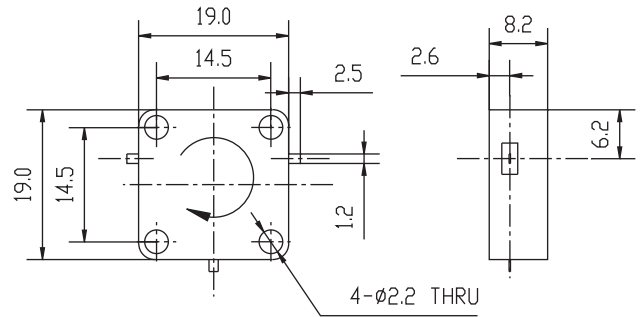
CD10-DROP-IN CIRCULATOR



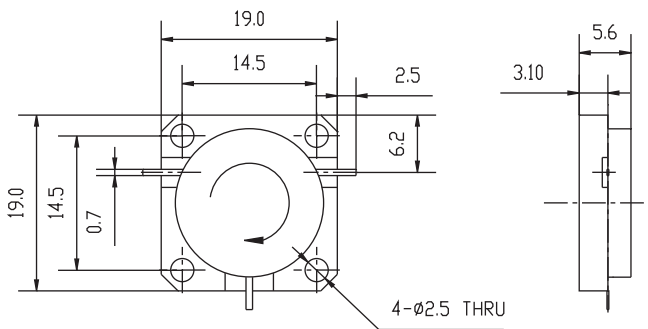
DROP-IN CIRCULATOR



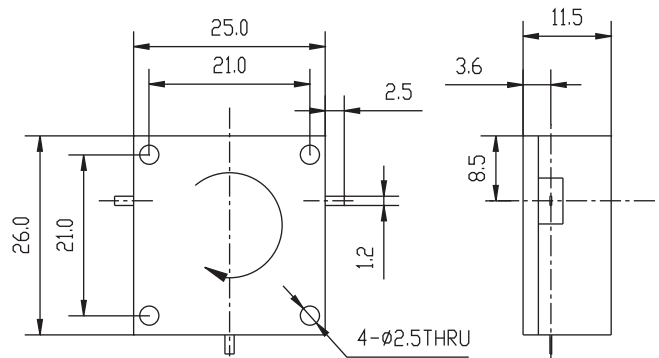
CD11-DROP-IN CIRCULATOR



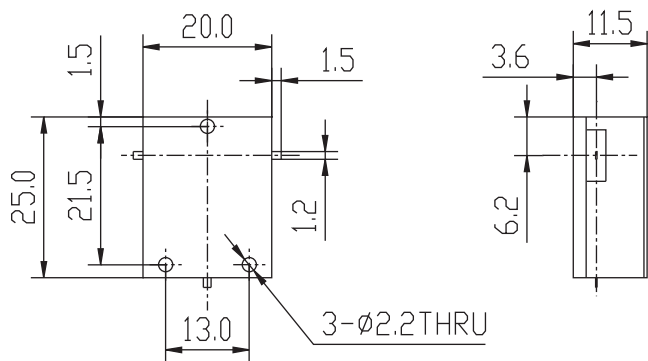
CD12-DROP-IN CIRCULATOR



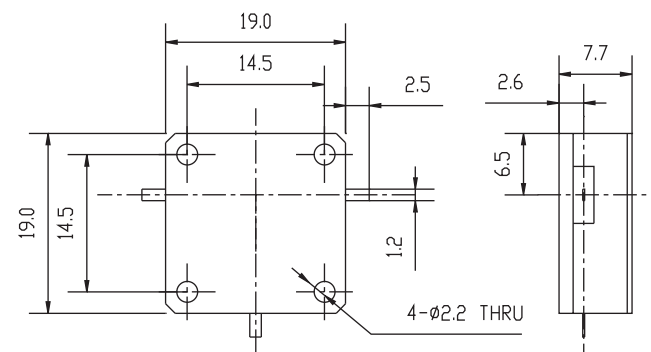
CD13-DROP-IN CIRCULATOR



CD14-DROP-IN CIRCULATOR



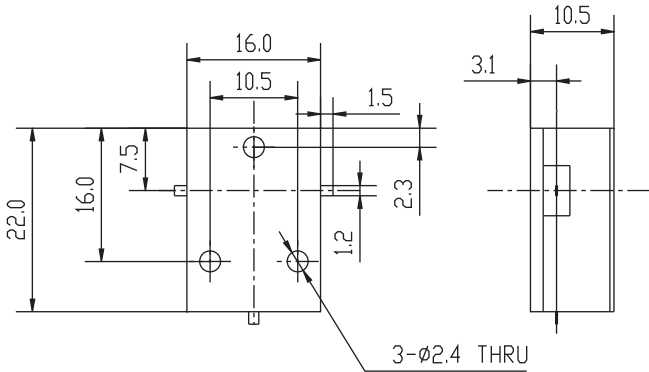
CD15-DROP-IN CIRCULATOR



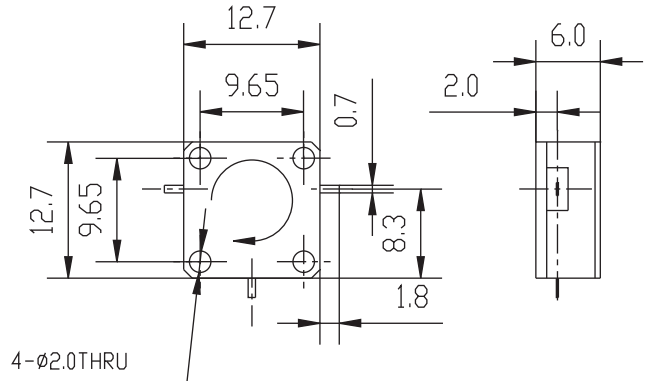
CD16-DROP-IN CIRCULATOR



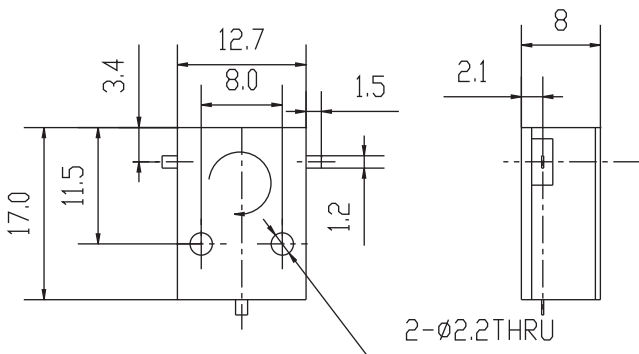
DROP-IN CIRCULATOR



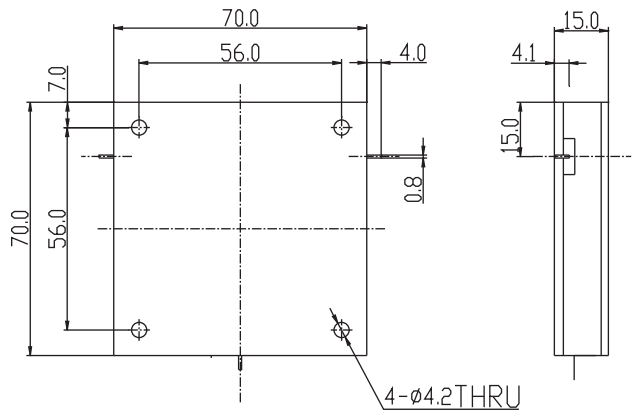
CD17-DROP-IN CIRCULATOR



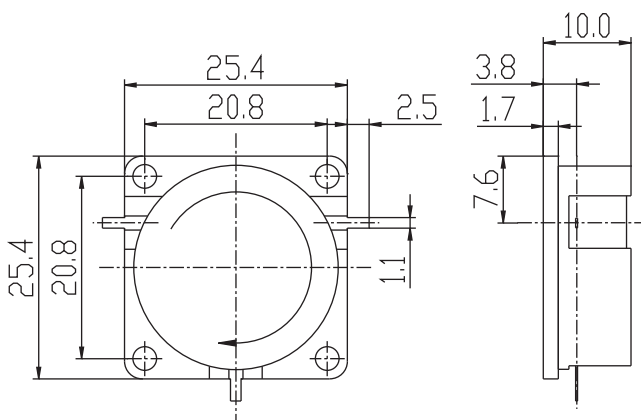
CD18-DROP-IN CIRCULATOR



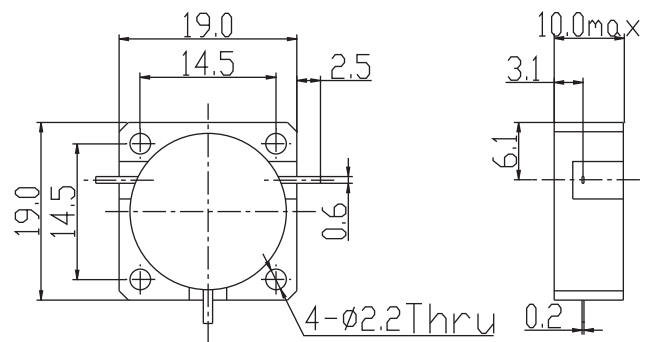
CD19-DROP-IN CIRCULATOR



CD20-DROP-IN CIRCULATOR



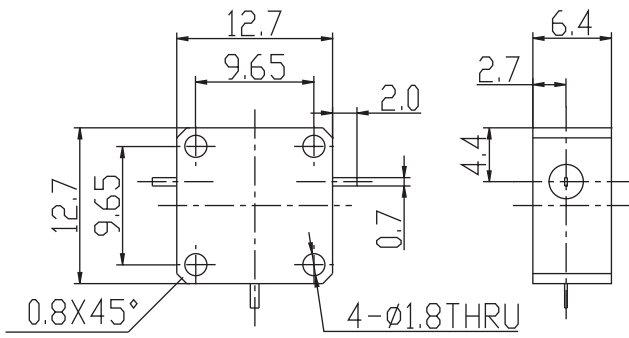
CD21-DROP-IN CIRCULATOR



CD22-DROP-IN CIRCULATOR



DROP-IN CIRCULATOR



CD23-DROP-IN CIRCULATOR