



30 dB Fixed Attenuator, N Male To N Female
Unidirectional Black Anodized Aluminum Heatsink
Body Rated To 200 Watts Up To 3 GHz

TECHNICAL DATA SHEET

PE7387-30

30 dB Fixed Attenuator, N Male To N Female Unidirectional Black Anodized Aluminum Heatsink Body Rated To 200 Watts Up To 3 GHz

Configuration

Design	Fixed, Unidirectional Attenuator
Connector 1	N Male
Connector 2	N Female
Body Material and Plating	Black Anodized Aluminum Heatsink

Electrical Specifications

Frequency Range, GHz	DC to 3
Impedance, Ohms	50
Attenuation Value, dB	30
Maximum Input Power, Watts	200
Maximum VSWR	1.35:1

Frequency 1

Range, GHz	DC to 3
VSWR	1.35:1
Attenuation Accuracy, dB	± 0.8

Mechanical Specifications

Temperature

Operating Range, deg C	-55 to +125
------------------------	-------------

Size

Length, in [mm]	10.512 [267]
Width, in [mm]	3.858 [97.99]
Height, in [mm]	2.362 [59.99]
Weight, lbs [Kg]	6.173 [2.8]

Connector 1

Type	N Male
Contact Material and Plating	Brass, Gold
Body Material and Plating	Brass, Nickel

Connector 2

Type	N Female
Contact Material and Plating	Beryllium Copper, Gold
Body Material and Plating	Brass, Nickel

Click the following link (or enter part number in "SEARCH" on website) to obtain additional part information including price, inventory and certifications: [30 dB Fixed Attenuator, N Male To N Female Unidirectional Black Anodized Aluminum Heatsink Body Rated To 200 Watts Up To 3 GHz PE7387-30](#)

The information contained in this document is accurate to the best of our knowledge and representative of the part described herein. It may be necessary to make modifications to the part and/or the documentation of the part, in order to implement improvements. Pasternack reserves the right to make such changes as required. Unless otherwise stated, all specifications are nominal.



30 dB Fixed Attenuator, N Male To N Female
Unidirectional Black Anodized Aluminum Heatsink
Body Rated To 200 Watts Up To 3 GHz

TECHNICAL DATA SHEET

PE7387-30

Compliance Certifications (visit www.Pasternack.com for current document)

RoHS Compliant

Yes

Plotted and Other Data

Notes:

Values at 25 °C, sea level

30 dB Fixed Attenuator, N Male To N Female Unidirectional Black Anodized Aluminum Heatsink Body Rated To 200 Watts Up To 3 GHz from Pasternack Enterprises has same day shipment for domestic and International orders. Our RF, microwave and fiber optic products maintain a 99% availability and are part of the broadest selection in the industry.

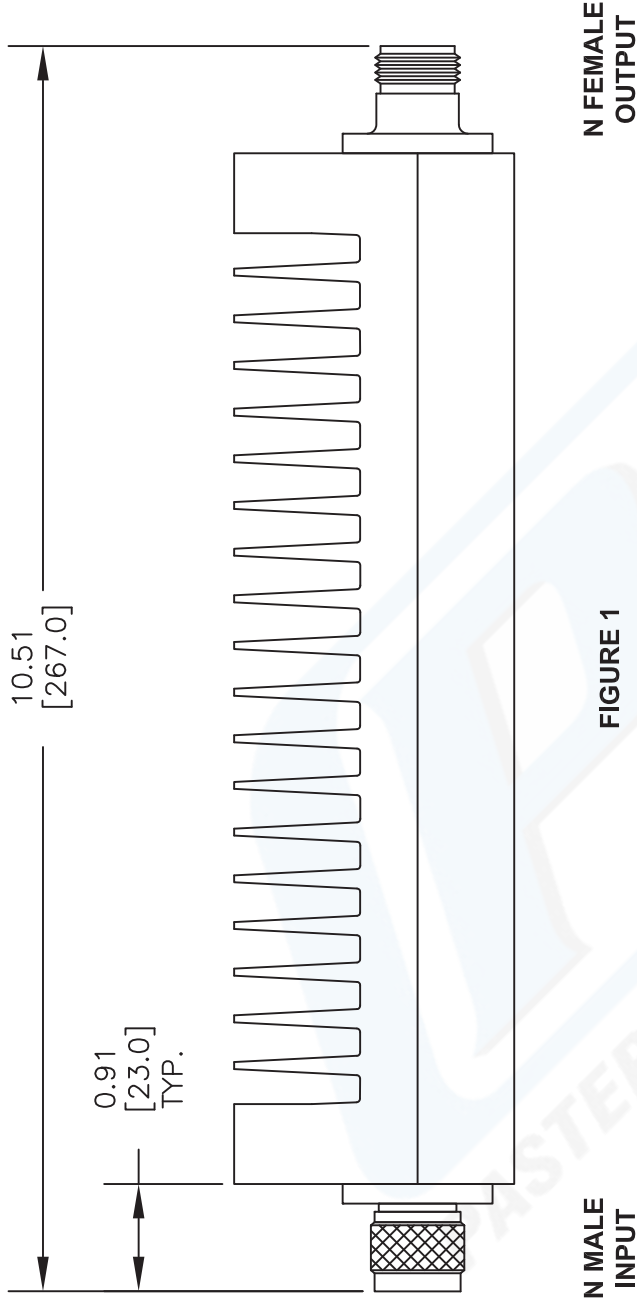
Click the following link (or enter part number in "SEARCH" on website) to obtain additional part information including price, inventory and certifications: [30 dB Fixed Attenuator, N Male To N Female Unidirectional Black Anodized Aluminum Heatsink Body Rated To 200 Watts Up To 3 GHz PE7387-30](http://www.pasternack.com/30db-fixed-n-male-n-female-200-watts-attenuator-pe7387-30-p.aspx)

URL: <http://www.pasternack.com/30db-fixed-n-male-n-female-200-watts-attenuator-pe7387-30-p.aspx>

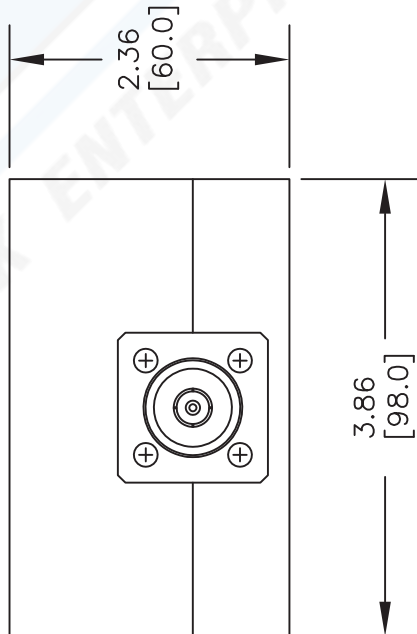
The information contained in this document is accurate to the best of our knowledge and representative of the part described herein. It may be necessary to make modifications to the part and/or the documentation of the part, in order to implement improvements. Pasternack reserves the right to make such changes as required. Unless otherwise stated, all specifications are nominal.

PE7387-30 CAD Drawing

30 dB Fixed Attenuator, N Male To N Female Unidirectional Black Anodized Aluminum Heatsink Body Rated To 200 Watts Up To 3 GHz



P/N	ATTEN.	FIGURE
PE7387-10	10 dB	1
PE7387-20	20 dB	1
PE7387-30	30 dB	1
PE7687-40	40 dB	1



NOTES:
 1. UNLESS OTHERWISE SPECIFIED ALL DIMENSIONS ARE NOMINAL.
 2. ALL SPECIFICATIONS ARE SUBJECT TO CHANGE WITHOUT NOTICE AT ANY TIME.
 3. DIMENSIONS ARE IN INCHES [mm].

DWG TITLE
PE7387

FSCM NO. 53919

CAD FILE 071113

SCALE N/A

SIZE A

2233

PE PASTERNAK®
 Pasternack Enterprises, Inc.
 P.O. Box 16759 | Irvine | CA | 92623
 Phone: (949) 261-1920 | Fax: (949) 261-7451
 Website: www.pasternack.com | E-Mail: sales@pasternack.com