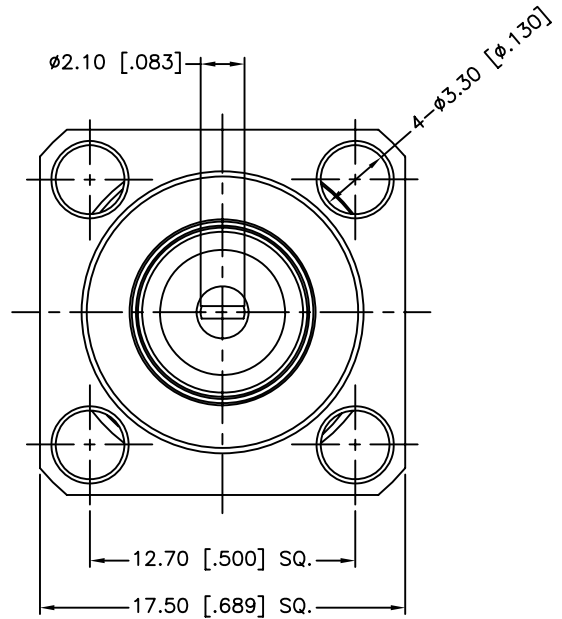
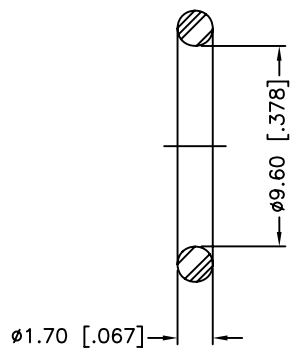
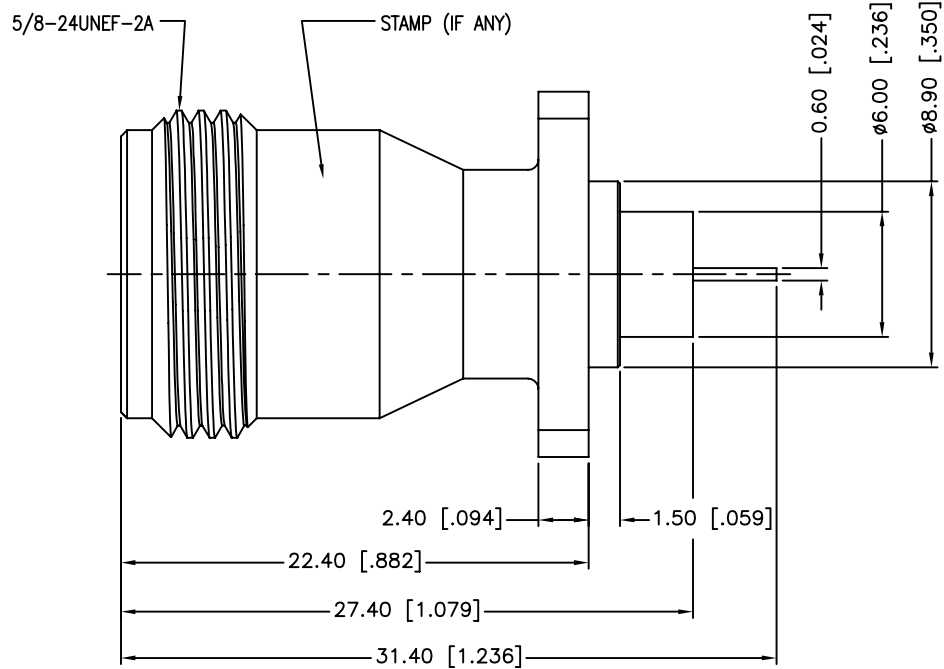
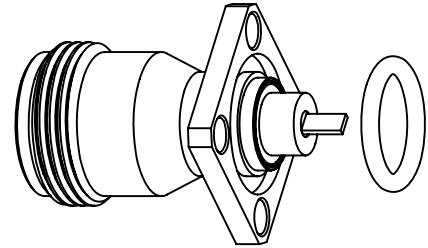


REV.	DATE	ECR NO.	DESCRIPTION
NC	10/08/06	XXXXXX	INITIAL RELEASE



4	GASKET	SILIOCONE	RED	1
3	CONTACT PIN	PHOSPHOR BRONZE	GOLD	1
2	INSULATOR	PTFE	NATURAL	1
1	BODY	BRASS	NEXCOTE	1
	DESCRIPTION	MATERIAL	FINISH	QTY

UNLESS OTHERWISE SPECIFIED DIMENSIONS ARE IN MILLIMETERS. DIMENSIONS IN [] ARE IN INCHES AND FOR CUSTOMER REFERENCE ONLY.

UNLESS OTHERWISE SPECIFIED TOLERANCES FOR MILLIMETERS ARE:
0.5 - 8mm ± 0.20mm
8 - 30mm ± 0.40mm
30 - 120mm ± 0.50mm

UNLESS OTHERWISE SPECIFIED TOLERANCES FOR INCHES ARE:
.020 - .315 = ± 0.007"
.315 - 1.180 = ± 0.015"
1.180 - 4.724 = ± 0.020"

DO NOT SCALE DRAWING

APPROVALS	DATE
DRAWN T.DENG	10/08/06
CHECKED	
ISSUED	
SHEET 1 OF 1	
CAD FILE C:/CONNEX/172361.DWG	

Amphenol Connex

PART DESCRIPTION
N PANEL RECEPT. JACK

PART NO.
172361

DWG. NO. 172361.DWG REV. A SIZE A SCALE NA