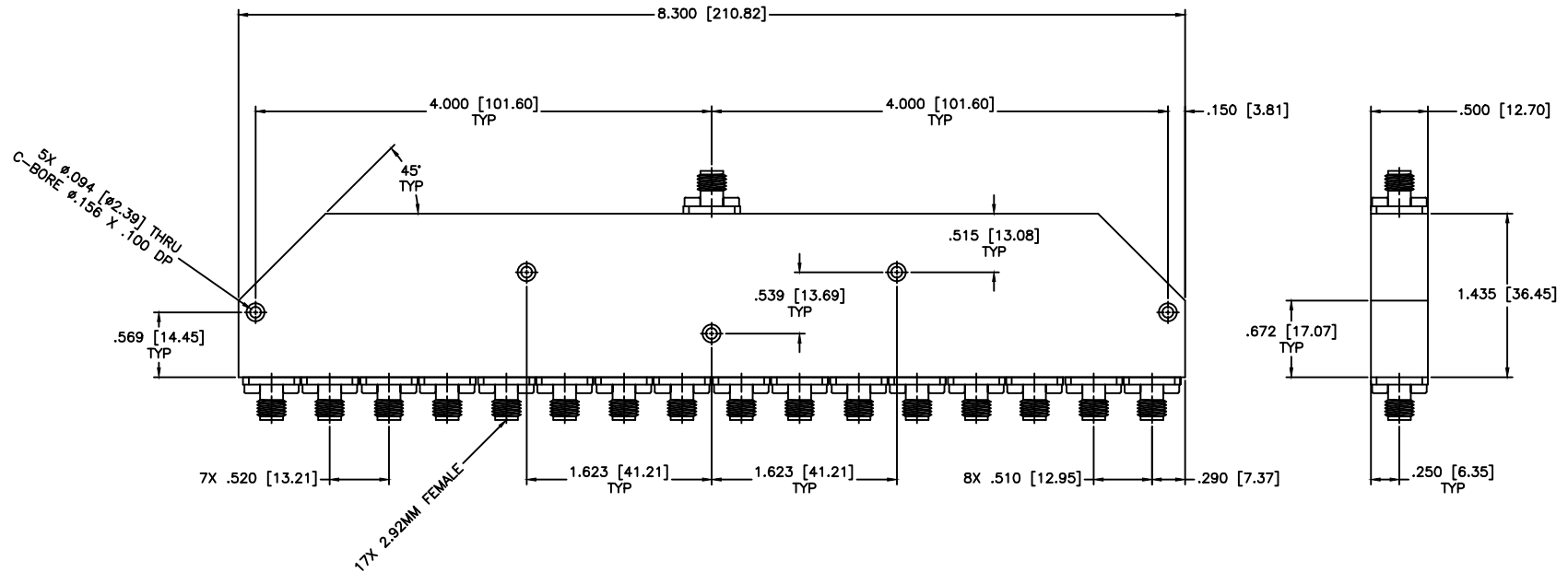


REVISIONS				
ZONE	REV	DESCRIPTION	Date	APPROVED



SPECIFICATIONS

- Frequency Range: 18–40 GHz
- Insertion Loss: 5.2dB Max.
- Isolation: 16dB Min.
- Phase Balance: ±10Deg. Max.
- Amplitude Balance: ±1.0dB Max.
- VSWR: 1.80:1 Max.
- Power: 20W Avg, 3kW Peak
- Operational Temperature: –32° to +85° C

MATERIAL:			MICROWAVE COMMUNICATIONS LABORATORIES INC. 7255 30TH AVE. N. SAINT PETERSBURG, FL 33710 TEL: (727) 344-6254 FAX: (727) 381-6116 http://www.mcli.com		SCALE: N/A
UNLESS OTHERWISE SPECIFIED: TOLERANCES IN (INCHES) OR [mm] (MILLIMETERS) FRACTIONS: ± 1/64 DECIMALS: ±.01 ±.005 ANGLE: ±1/2°			DRAWING TITLE: 16-WAY POWER DIVIDER		SHEET: N/A
DRAWN: Paiboon Luekhamhan		DATE: 07-11-2011		PART NO. PS16-36	
APPROVED: T. Nguyen		DATE: 07-11-2011		CAGE CODE: OD2L5	SIZE: N/A REV: N/A DO NOT SCALE THE DRAWING
		PROPRIETARY NOTICE: THE INFORMATION ON THIS DRAWING IS PROPRIETARY AND SHALL NOT BE USED OR DISCLOSED WITHOUT WRITTEN PERMISSION FROM MICROWAVE COMMUNICATIONS LABORATORIES INC. (MCLI)		DWG NO. 85770	

