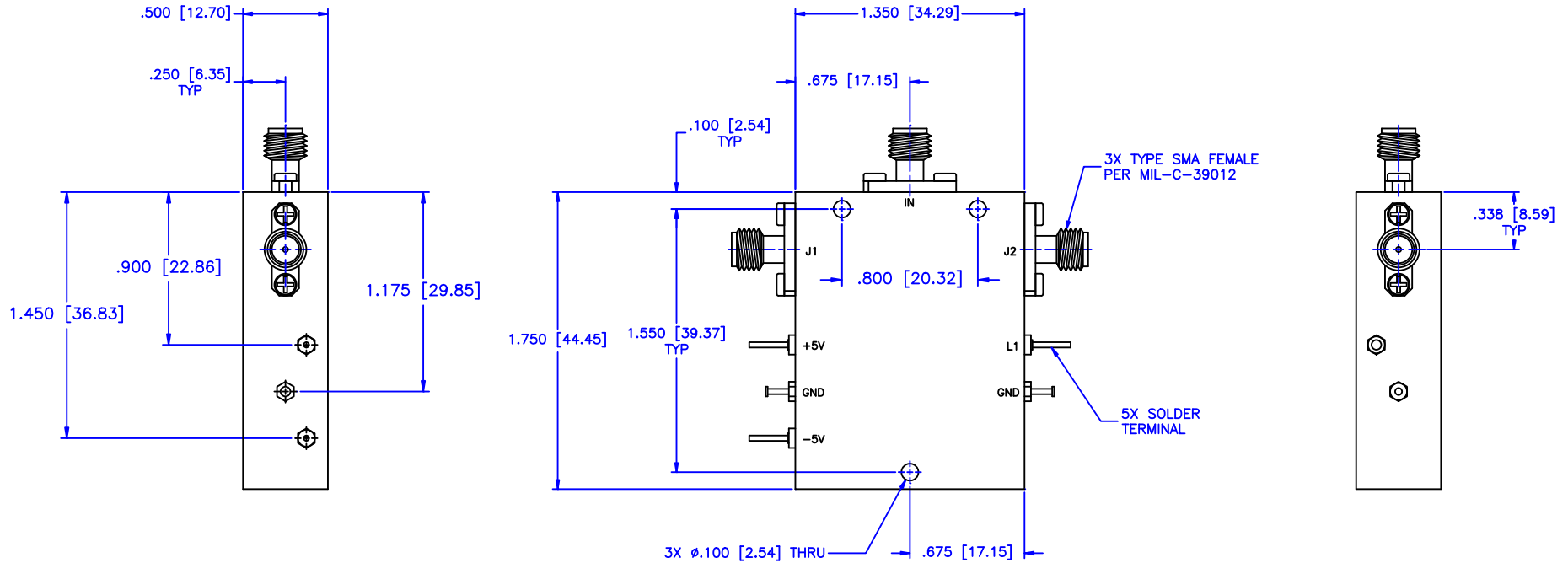


SPECIFICATION:

Frequency Range: 4 to 8 GHz
 Insertion Loss ABS: 1.30dB Max.
 Insertion Loss REF: 1.20dB Max.
 VSWR: 1.75:1 Max.

REVISIONS				
ZONE	REV	DESCRIPTION	Date	APPROVED



GENERAL INFORMATION

Isolation: 60 db Min.
 Switching Speed: 100nsec Max.
 Power Supply: +5v @ 50ma
 -5v @ 50ma

TTL Control

- 1 J1 to J2 Loss Loss
- J1 to J3 Isolation
- 0 J1 to J2 Isolation
- J1 to J3 Insertion Loss

MATERIAL:		MICROWAVE COMMUNICATIONS LABORATORIES INC. 7255 30TH AVE. N. SAINT PETERSBURG, FL 33710 TEL: (727) 344-6254 FAX: (727) 381-6116 http://WWW.MCLI.COM	SCALE:	N/A
			SHEET:	N/A
DRAWN: Paiboon Luekhamhan		DRAWING TITLE: PIN DIODE SWITCHES		
DATE: 02-03-2009		PART NO. D2-11		
APPROVED: T. Nguyen		DATE: 02-03-2009		
CAGE CODE: OD2L5		SIZE: A	REV: N/A	DWG NO. 84115
DO NOT SCALE THE DRAWING				



UNLESS OTHERWISE SPECIFIED:
 TOLERANCES
 IN (INCHES) OR [mm] (MILLIMETERS)
 FRACTIONS: $\pm 1/64$
 DECIMALS: $\pm .01 \pm .005$
 ANGLE: $\pm 1/2^\circ$

PROPRIETARY NOTICE:
 THE INFORMATION IN THIS DRAWING IS PROPRIETARY
 AND SHALL NOT BE USED OR DISCLOSED WITHOUT WRITTEN
 PERMISSION FROM MICROWAVE COMMUNICATIONS
 LABORATORIES INC. (MCLI)

