

Isolators and Circulators



2-12.4 GHz Ferrite Circulators

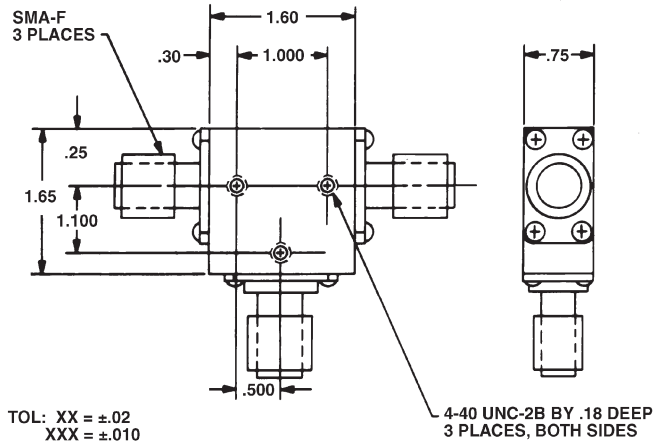
Specifications

3 Port SMA (F), 2 to 12.4 GHz

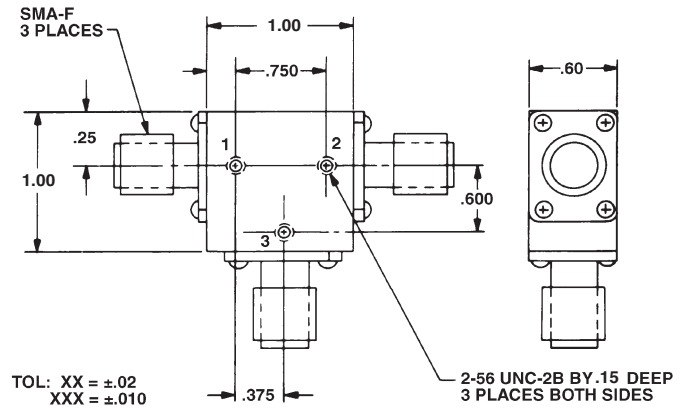
FREQUENCY (GHz)	MODEL	ISOLATION (dB min.)	LOSS (dB max.)	VSWR (max.)	PEAK POWER Fwd & Rev (watts)	AVERAGE POWER		TEMP RANGE (°C)
						Forward (watts)	Reverse (watts)	
2-4	4923	18	0.5	1.30	50	25	25	0 to +55
4-8	4924	18	0.5	1.30	50	15	15	-20 to +55
7-12.4	4925	18	0.5	1.30	50	15	15	-20 to +65

Isolators and Circulators

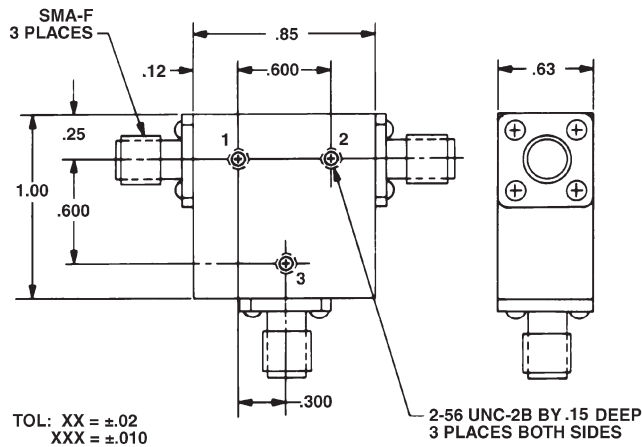
Outline Drawings



MODEL 4923



MODEL 4924



MODEL 4925

Dimensions in inches, unless otherwise specified.