



Absorptive 30-33GHz Coaxial SP2T

Features



- Wide Band Operation 30-33GHz
- High Power Handle Capability up to 1W upon request.
- TTL compatible driver include
- Fast Switching Speed
- Low Insertion Loss and High Isolation
- Temperature Range -40°C~+85°C
- Customization available upon request

Absorptive SP2T- Single Pole Double Throw

Part Number	Frequency (GHz)	Insert. Loss (dB)	VSWR (Max:1)	Isolation min (dB)	Power (Watts)	Switching Speed
RFSP2TA3033G	30-33	3.5	2.2	25	0.2~1.0	1ms

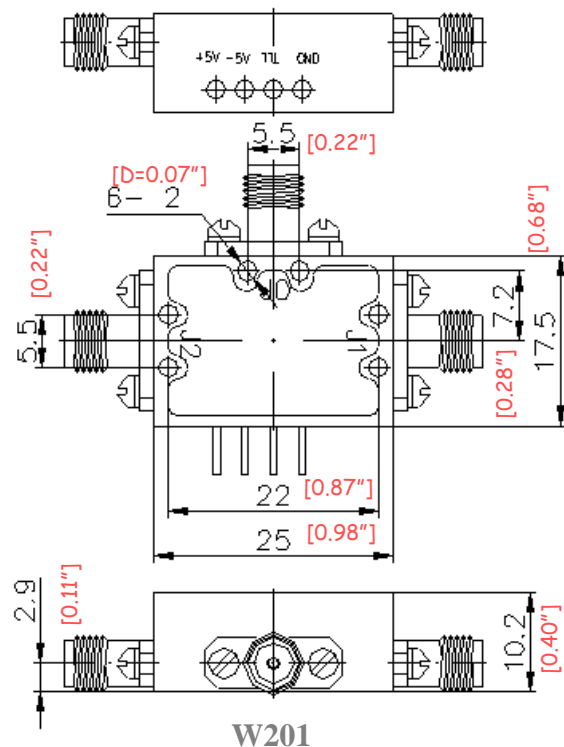
Mechanical Specification

Case Style: W201 type.
 Finishing: Gold plating for brass material
 Other finishing available
 Connector: SMA-F Per MIL-C-39012
 Control PIN: 0.02" dia x 0.15" solder pins
 Weight: 20 grams max.
 Mounting: (4 / 6) 0.1" dia through holes

Electrical Operation

DC Biasing:
 +5.0V (+/-0.5V 30mA max.)
 -5.0V (+/-0.5V 30mA max.)

TTL Logic Control:
 0 J0->J2
 1 J0->J1



Absorptive Coaxial Single Pole Double Throw Switch 30-33GHz