



EUROPEAN ANTENNAS

Excellence through design
Creative in concept

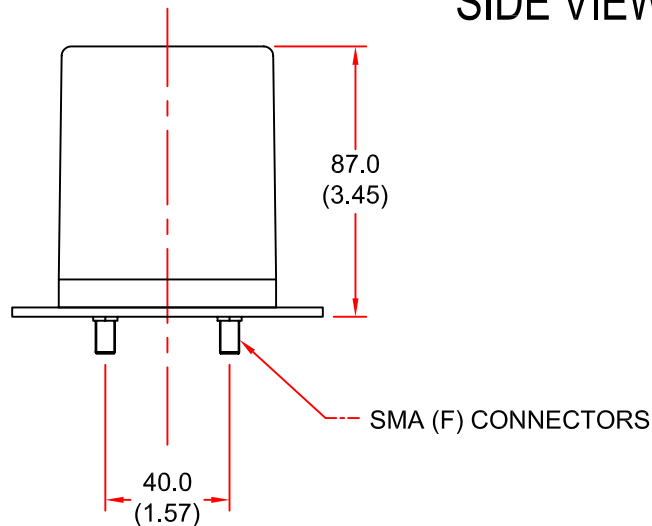


DUAL DIPOLE ANTENNA

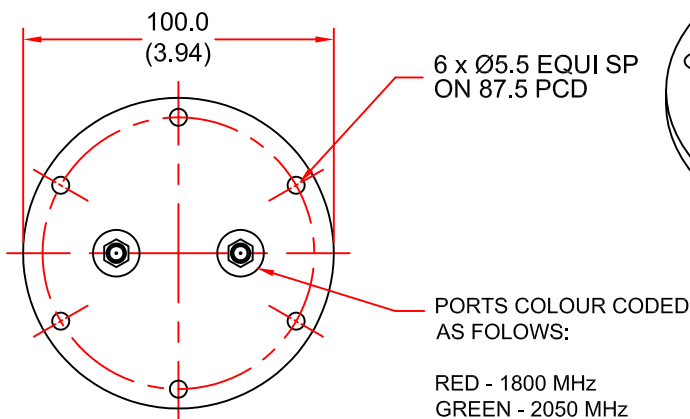
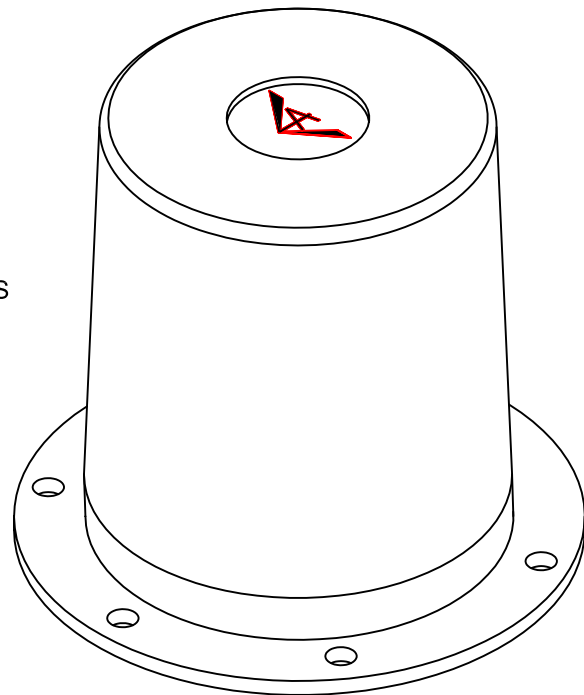
MODEL: DEVD2-1800V-2050V/766

FREQUENCY:	1.71 - 1.88 GHz , 1.920 - 2.175 GHz	GAIN:	0 to 2 dBi
POLARISATION:	Linear (Vertical)	BEAMWIDTH:	360°(Azimuth) x 80°(Elevation)
POWER RATING:	2 x 10W	VSWR:	2.5:1 Max
TEMPERATURE:	-20°C to +50°C	MASS:	150 g / 0.33 lb
FINISH:	White Radome, Alocrom 1200	WIND LOADING:	1.07Kg / 2.36lbs @ 100 mph

SIDE VIEW



ISOMETRIC VIEW



BASE VIEW

DIMENSIONS: mm (inches)

GA 766-2 Issued 260702

EUROPEAN ANTENNAS LTD.

TEL: +44 (0)1638 731888
FAX: +44 (0)1638 731999

LAMBDA HOUSE, CHEVELEY,
NEWMARKET, SUFFOLK, CB8 9RG,
UNITED KINGDOM.

E-Mail: sales@european-antennas.co.uk
Website: www.european-antennas.co.uk