

# Communication Band Couplers

- 0.5 – 4.0GHz
- Type N Connectors
- Cellular & Satcom IF
- Flat Response
- Rugged Design
- Very Cost Effective



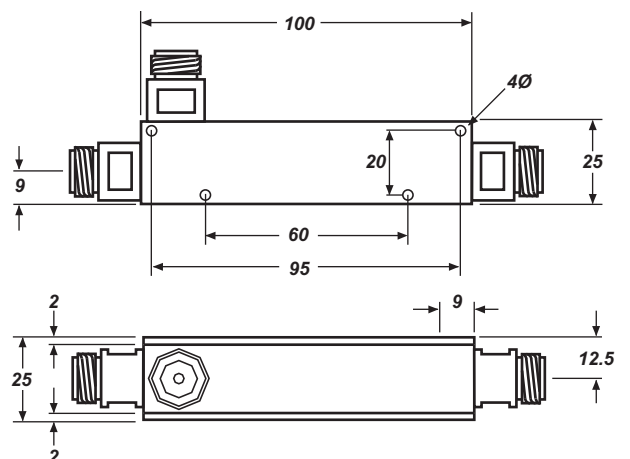
General Specifications	
Impedance	50 ohms
Circuit	PTFE Based
Housing	Aluminium
Finish	Matt Paint
Connectors	Type N Female
Operating Temperature	-30+70C

Model No	Frequency (GHz)	Coupling (dB)	Frequency sensitivity (dB) max.	VSWR max.	Insertion Loss (dB) max. (1)	Directivity (dB) min.	Power Handling (watts) avg. (2) A / B	Size (LxWxH) mm
BCC-005020-10	0.5 - 2.0	10 ± 0.8	± 0.7	1.25	0.9	20	10 / 50	150x25x25
BCC-005020-20	0.5 - 2.0	20 ± 1.0	± 0.7	1.25	0.4	20	100	150x25x25
BCC-008025-6	0.8 - 2.5	6 ± 0.8	± 0.7	1.25	0.5	20	5 / 50	100x25x25
BCC-008025-10	0.8 - 2.5	10 ± 0.8	± 0.7	1.25	0.5	20	10 / 50	100x25x25
BCC-008025-20	0.8 - 2.5	20 ± 1	± 0.7	1.25	0.4	20	100	100x25x25
BCC-008025-30	0.8 - 2.5	30 ± 1	± 0.7	1.25	0.4	20	100	100x25x25
BCC-010040-10	1.0 - 4.0	10 ± 0.8	± 0.7	1.30	0.5	20	10 / 50	100x25x25
BCC-010040-20	1.0 - 4.0	20 ± 1.0	± 0.7	1.30	0.5	18	100	100x25x25
BCC-010040-30	1.0 - 4.0	30 ± 1.0	± 0.7	1.30	0.5	18	100	100x25x25

### Notes

- (1) Excludes Coupled Power Loss  
 (2) A/B  
 A = Power Handling into infinite VSWR  
 B = Power Handling into 1.5:1 VSWR

### TYPICAL OUTLINE



All dimensions in mm

We reserve the right to change standard product specifications without notice but will be pleased to consider control drawings for quotation.

### Passive Components