

SP4T RF SWITCH

MODEL TWP2261

Package: FP14 - 16 Lead Flatpack
 Also Available In: Connectorized Housings

Features

- 5 - 2000 MHz
- RF1, RF4 Terminated in "OFF" State
- Integral TTL Driver
- Absorptive
- Environmental Screening Available

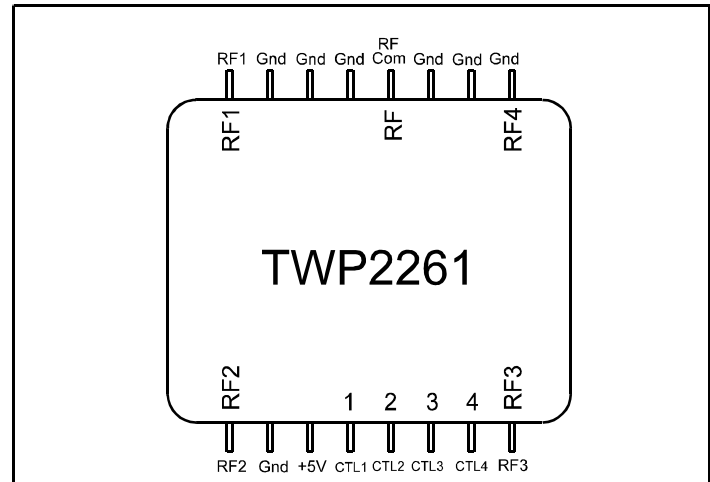
Absolute Maximum (No Damage) Ratings

Ambient Operating Temperature	-55°C to +100 °C
Storage Temperature	-65°C to +125 °C
Case Temperature	+125 °C
DC Voltage	+7.0 Volts
Continuous RF Input Power	+30 dBm

Specifications

CHARACTERISTIC	TYPICAL Ta = 25 °C	MIN/MAX Ta = -55 °C to +85 °C
Frequency	5 - 2000 MHz	5 - 2000 MHz
Insertion Loss (dB)	1.2	2.0 Max.
Isolation (dB)	45	35 Min.
VSWR "ON"	1.5:1	2.0:1 Max.
DC Bias	Vdc +5 mA 0.5	+5 Max. 1.0 Max.
Switching Speed Ton/Toff (ns)	20	—
Transition Time Rise/Fall Time (ns)	3	—
Transients (mV)	80	—
1 dB Compression (dBm)		
50 MHz	+21	—
500 - 2000 MHz	+27	—
Intercept Points (dBm)	IP2 IP3	
50 MHz	+65 +40	—
500 - 2000 MHz	+68 +46	—

Pin Layout

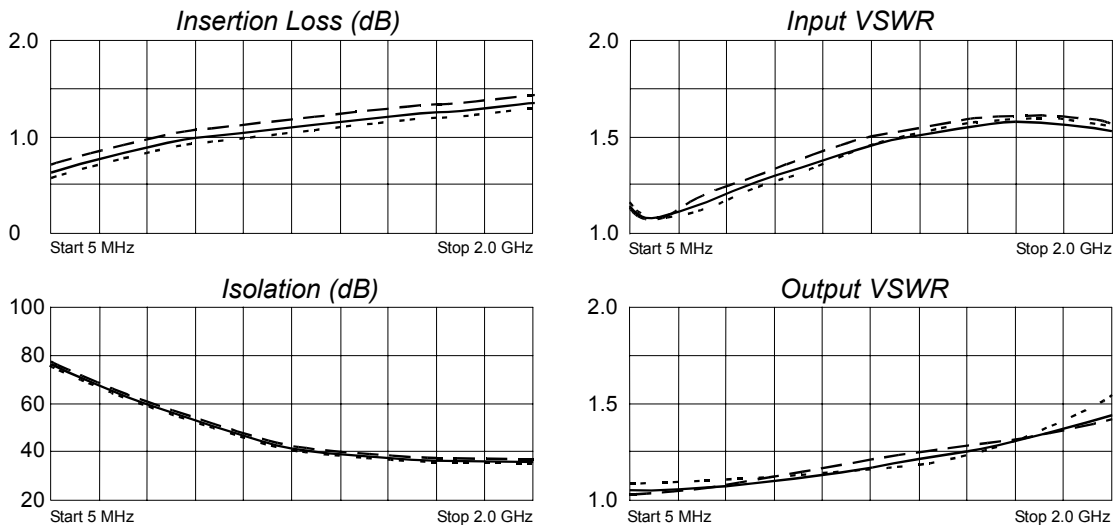


Truth Table

Control Input	Switch Condition
TTL	RF Common To RF Throw
1	Low Loss ("ON")
0	Isolated ("OFF")

Note: Care should always be taken to effectively ground the case of each unit.

Typical Performance Data



Legend ——— + 25 °C - - - - - +85 °C - - - - - -55 °C



Spectrum Microwave · 2144 Franklin Drive N.E. · Palm Bay, Florida 32905 · PH (888) 553-7531 · Fax (888) 553-7532 Rev. 5/17/10

www.SpectrumMicrowave.com Spectrum Microwave · 2707 Black Lake Place · Philadelphia, Pennsylvania 19154 · PH (215) 464-4000 · Fax (215) 464-4001