



SMA Female Connector Solder Attachment 4 Hole Flange  
Mount Solder Cup Terminal, .500 inch Hole Spacing

TECHNICAL DATA SHEET

PE4527

**Configuration**

Connector	SMA Female
Connector Specification	MIL-STD-348
Connector Interface Type	Solder Cup
Attachment Method (Shield/Contact)	Solder
Body Style	Straight
Mount Method	4 Hole Flange

**Electrical Specifications**

Impedance	50 Ohms
-----------	---------

**Mechanical Specifications**

**Size**

Length	0.578 in [14.68 mm]
Width/Dia.	0.687 in [17.45 mm]
Height	0.687 in [17.45 mm]
Weight	0.013 lbs [5.9 g]

**Connector**

Type	SMA Female
Contact Material and Plating	Beryllium Copper, Gold
Contact Plating Specification	MIL-G-45204, Type II
Body Material and Plating	Stainless Steel, Gold
Body Plating Specification	MIL-G-45204, Type II
Dielectric Type	Teflon

**Compliance Certifications** (visit [www.Pasternack.com](http://www.Pasternack.com) for current document)

RoHS Compliant	
REACH Compliant	06/18/2012

Click the following link (or enter part number in "SEARCH" on website) to obtain additional part information including price, inventory and certifications: [SMA Female Connector Solder Attachment 4 Hole Flange Mount Solder Cup Terminal, .500 inch Hole Spacing PE4527](#)



## SMA Female Connector Solder Attachment 4 Hole Flange Mount Solder Cup Terminal, .500 inch Hole Spacing

### TECHNICAL DATA SHEET

PE4527

#### Plotted and Other Data

Notes:

- Values at +25 °C, sea level

SMA Female Connector Solder Attachment 4 Hole Flange Mount Solder Cup Terminal, .500 inch Hole Spacing from Pasternack Enterprises has same day shipment for domestic and International orders. Our RF, microwave and millimeter wave products maintain a 99% availability and are part of the broadest selection in the industry.

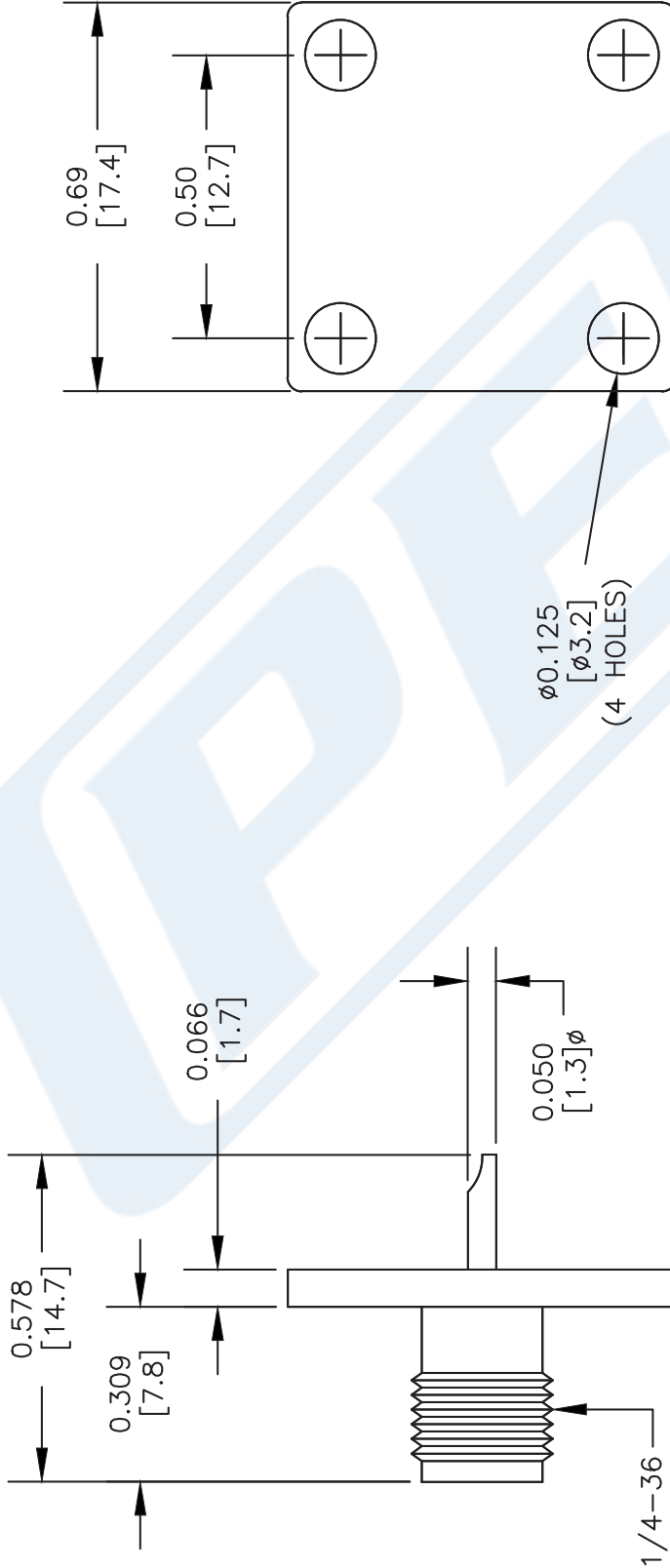
Click the following link (or enter part number in "SEARCH" on website) to obtain additional part information including price, inventory and certifications: [SMA Female Connector Solder Attachment 4 Hole Flange Mount Solder Cup Terminal, .500 inch Hole Spacing PE4527](http://www.pasternack.com/sma-female-solder-cup-terminal-connector-pe4527-p.aspx)

URL: <http://www.pasternack.com/sma-female-solder-cup-terminal-connector-pe4527-p.aspx>

The information contained in this document is accurate to the best of our knowledge and representative of the part described herein. It may be necessary to make modifications to the part and/or the documentation of the part, in order to implement improvements. Pasternack reserves the right to make such changes as required. Unless otherwise stated, all specifications are nominal. Pasternack does not make any representation or warranty regarding the suitability of the part described herein for any particular purpose, and Pasternack does not assume any liability arising out of the use of any part or documentation.

# PE4527 CAD Drawing

SMA Female Connector Solder Attachment 4 Hole Flange  
Mount Solder Cup Terminal, .500 inch Hole Spacing



DWG TITLE

**PE4527**

NOTES:  
1. UNLESS OTHERWISE SPECIFIED ALL DIMENSIONS ARE NOMINAL.  
2. ALL SPECIFICATIONS ARE SUBJECT TO CHANGE WITHOUT NOTICE AT ANY TIME.  
3. DIMENSIONS ARE IN INCHES [mm].  
4. FITS MIL-C-17 AND EQUIVALENT CABLES.

FSCM NO. 53919

CAD FILE 052202

SCALE N/A

SIZE A

XXXX



Pasternack Enterprises, Inc.  
P.O. Box 16759 | Irvine | CA | 92623  
Phone: (949) 261-1920 | Fax: (949) 261-7451  
Website: www.pasternack.com | E-Mail: sales@pasternack.com