



C Female Connector Solder Attachment 4 Hole Flange Solder Cup Terminal, .718 inch Hole Spacing

TECHNICAL DATA SHEET

PE4241

C Female Connector Solder Attachment 4 Hole Flange Solder Cup Terminal, .718 inch Hole Spacing

Configuration

Connector	C Female
Connector Specification	MIL-STD-348A
Connector Interface Type	Solder Cup
Cable Attachment Method (Shield/Contact)	Solder
Body Style	Straight
Mount Method	4 Hole Flange

Electrical Specifications

Frequency Range, GHz	DC to 11
Impedance, Ohms	50
Maximum Operating Voltage, Volts	1,000
Dielectric Withstanding Voltage, Vrms	3,000

Frequency 1

Frequency, GHz	DC to 10
VSWR	1.3:1

Mechanical Specifications

Temperature

Operating Range, deg C	-65 to +165
------------------------	-------------

Size

Length, in [mm]	1.09 [27.69]
Width/Dia., in [mm]	1 [25]
Height, in [mm]	1 [25.4]
Weight, lbs [g]	0.041 [18.6]

Connector

Type	C Female
Contact Material and Plating	Brass, Gold
Body Material and Plating	Brass, Nickel
Body Plating Specification	100µ in. minimum
Dielectric Type	Teflon

Compliance Certifications (visit www.Pasternack.com for current document)

RoHS Compliant	Yes
----------------	-----

Plotted and Other Data

Notes: Values at 25 °C, sea level

URL: <http://www.pasternack.com/c-female-standard-solder-cup-terminal-connector-pe4241-p.aspx>

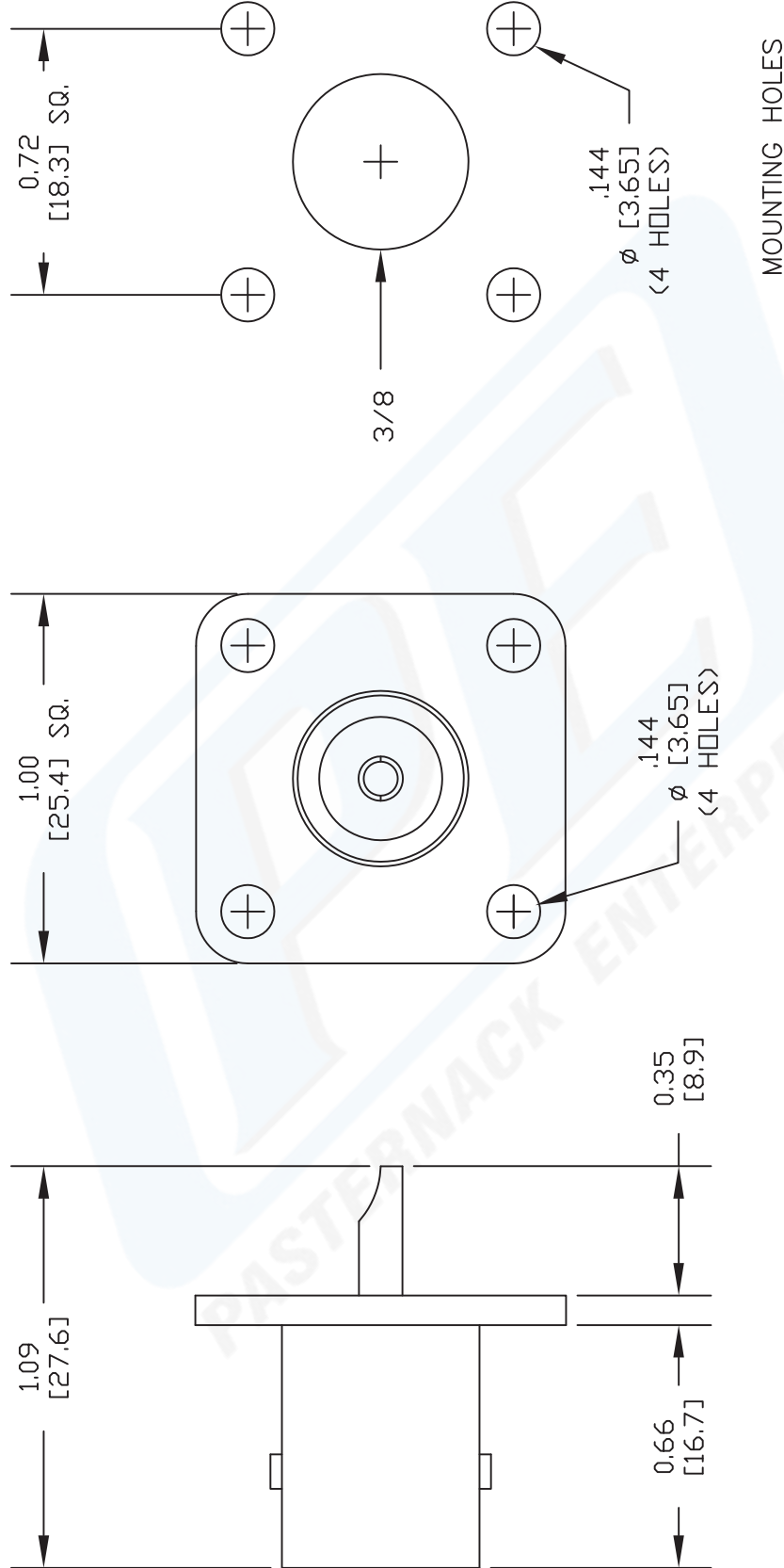
C Female Connector Solder Attachment 4 Hole Flange Solder Cup Terminal, .718 inch Hole Spacing from Pasternack Enterprises has same day shipment for domestic and international orders. We maintain 99% availability of the industry's

The information contained in this document is accurate to the best of our knowledge and representative of the part described herein. It may be necessary to make modifications to the part and/or the documentation of the part, in order to implement improvements. Pasternack reserves the right to make such changes as required. Unless otherwise stated, all specifications are nominal.



PE4241 CAD Drawing

C Female Connector Solder Attachment 4 Hole Flange
Solder Cup Terminal, .718 inch Hole Spacing



DWG TITLE

PE4241

NOTES:
1. UNLESS OTHERWISE SPECIFIED ALL DIMENSIONS ARE NOMINAL.
2. ALL SPECIFICATIONS ARE SUBJECT TO CHANGE WITHOUT NOTICE AT ANY TIME.
3. DIMENSIONS ARE IN INCHES [mm].
4. FITS MIL-C-17 AND EQUIVALENT CABLES.

FSCM NO. 53919

CAD FILE 012113-B

SCALE N/A

SIZE A

2231



Pasternack Enterprises, Inc.
P.O. Box 16759 | Irvine | CA | 92623
Phone: (949) 261-1920 | Fax: (949) 261-7451
Website: www.pasternack.com | E-Mail: sales@pasternack.com