



# EUROPEAN ANTENNAS

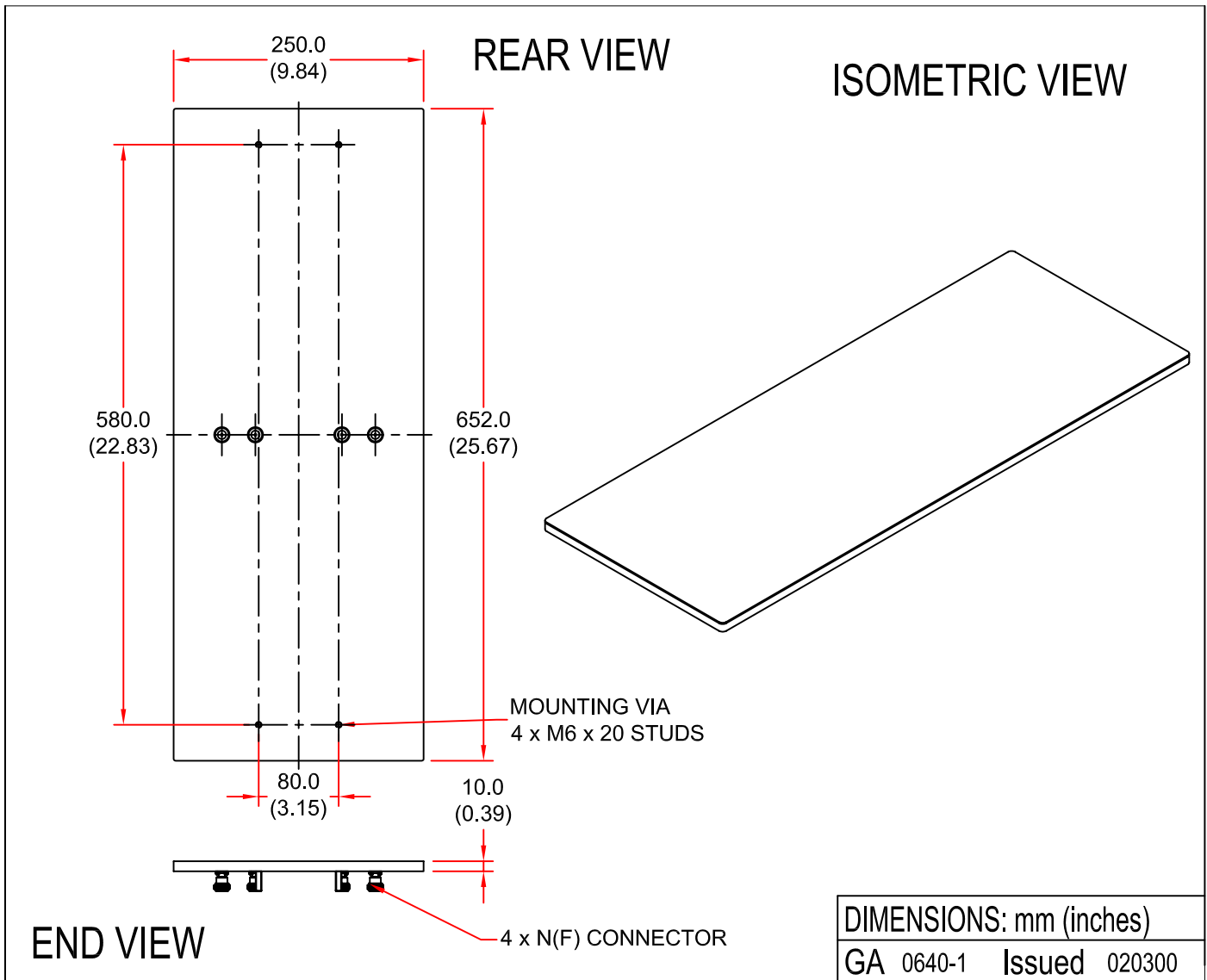
Excellence through design  
Creative in concept



## DUAL SECTOR ANTENNA

MODEL: DSA16-26VH/640

FREQUENCY:	2.5 - 2.7 GHz	GAIN:	15.5 dBi Nominal
POLARISATION:	Dual Linear (Vert & Hori)	BEAMWIDTH:	65° x 10° (Hori) 55° x 10° (Vert)
CROSS POLAR:	20 dB Typical	VSWR:	1.5:1
POWER RATING:	20W	FRONT TO BACK:	20dB Minimum
TEMPERATURE:	-20°C to +50°C	MASS:	1.4Kg/3.08lbs
FINISH:	Gloss White & Alocrom 1200	WIND LOADING:	26.44Kg/58.2lbs @ 100mph



EUROPEAN ANTENNAS LTD.

LAMBDA HOUSE, CHEVELEY,  
NEWMARKET, SUFFOLK, CB8 9RG,  
UNITED KINGDOM.

TEL: +44 (0)1638 731888  
FAX: +44 (0)1638 731999

E-Mail: sales@european-antennas.co.uk  
Website: www.european-antennas.co.uk