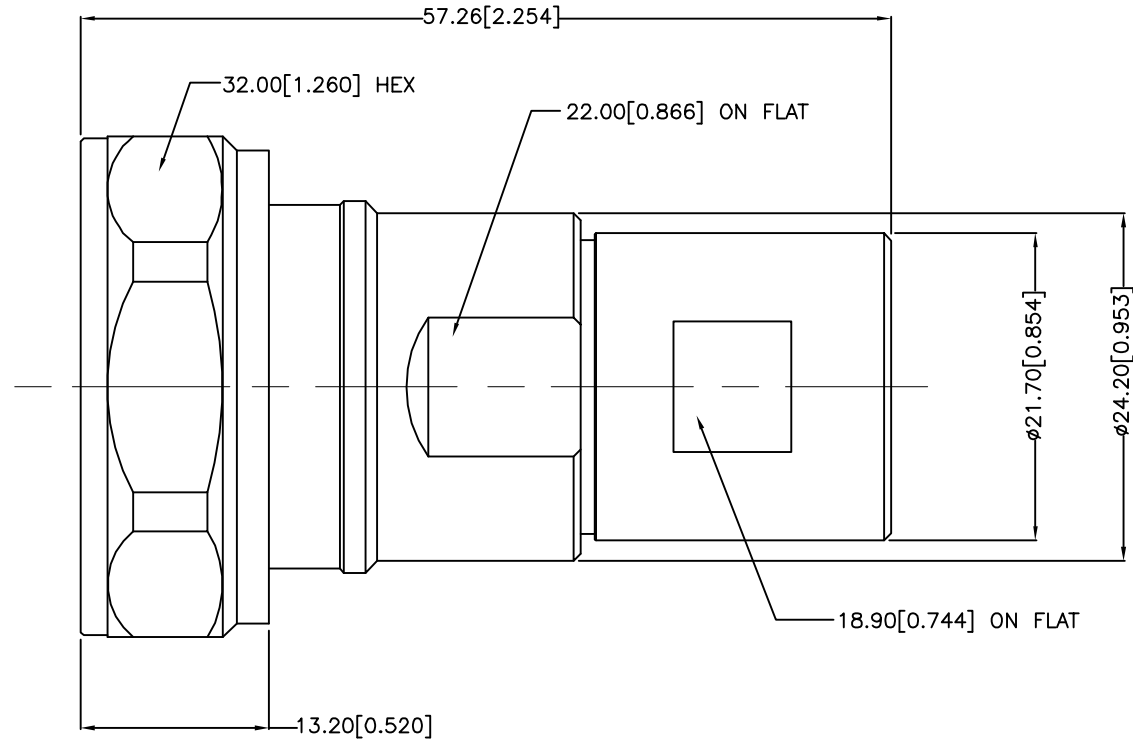


REV.	DATE	DESCRIPTION
A	09/10/09	RELEASE TO MFG.



				UNLESS OTHERWISE SPECIFIED DIMENSIONS ARE IN MILLIMETERS. DIMENSIONS IN [] ARE IN INCHES AND FOR CUSTOMER REFERENCE ONLY.	APPROVALS	DATE	AMPHENOL CONNEX				
				UNLESS OTHERWISE SPECIFIED TOLERANCES FOR MILLIMETERS ARE: 0.5 - 8mm ± 0.20mm 8 - 30mm ± 0.40mm 30 - 120mm ± 0.50mm UNLESS OTHERWISE SPECIFIED TOLERANCES FOR INCHES ARE: .020 - .315 = ± 0.007" .315 - 1.180 = ± 0.015" 1.180 - 4.724 = ± 0.020"	DRAWN	CLEMENT	09/10/09	PART DESCRIPTION			
					CHECKED			7/16 PLUG FOR 1/2"			
					ISSUED			CORRUGATED (LDF) CABLE			
					SHEET	1 OF 1		PART NO.			
					CAD FILE	C:/272/272FPA4.DWG		272FPA4-10			
4	GASKET	SILICONE	RED	1			DWG. NO.	272FPA4.DWG	REV. A	SIZE A	SCALE NA
3	CONTACT PIN	BRASS	SILVER	1							
2	INSULATOR	TEFLON	NATURAL	1							
1	BODY	BRASS	NEXCOTE	1							
	DESCRIPTION	MATERIAL	FINISH	QTY	DO NOT SCALE DRAWING						