

- Broad Selection of Frequency and Bandwidth (4.4Ghz-120Ghz, from 3% to Full Bandwidth)
- Military, Space and Commercial Applications
- High Power Design
- High Isolation, Low Insertion Loss
- Wide Operation Temperature Range
- Custom Design Available Upon Request



WAVEGUIDE ISOLATOR

FREQUENCY (GHz)		MODEL	BANDWIDTH	ISOLATION	INS LOSS	VSWR	OPERATING	POWER	SIZE L*W*H	PACKAGE
F1	F2	NUMBER	UP TO (MHz)	(dB) MIN	(dB) MAX	MAX	TEMP(°C)	FWD/REV (W)	(mm)	CODE
WR 187										
4.400	5.000	JIWR187-112-TBD	300	28	0.30	1.08	0~+55	40/10	112*71*45	IW01
4.800	5.000	JIWR187-112-4800T5000	FULL	28	0.30	1.08	0~+55	40/10	112*71*45	IW01
4.500	4.800	JIWR187-112-4500T4800	FULL	28	0.30	1.08	0~+55	40/10	112*71*45	IW01
WR 112										
7.100	7.750	JIWR112-36-7100T7750	FULL	23	0.30	1.20	-40~+80	25/15	36*75.5*48	IW02
7.125	8.500	JIWR112-36-7125T8500	FULL	20	0.40	1.25	-40~+80	25/15	36*75.5*48	IW02
7.700	8.400	JIWR112-36-7700T8400	FULL	23	0.30	1.20	-40~+80	25/15	36*75.5*48	IW02
7.250	8.400	JIWR112-62C-7250T8400-HP	FULL	20	0.40	1.25	-20~+70	250/25	75*84*62.2	IW22
WR 90										
8.000	12.400	JIWR90-28-TBD	300	30	0.20	1.15	-40~+80	25/15	28*56*42	IW03
			1000	23	0.30	1.20				
8.500	9.600	JIWR90-28-8500T9600	FULL	23	0.30	1.20	-40~+80	25/15	28*56*42	IW03
9.000	10.000	JIWR90-28-9000T10K0	FULL	23	0.30	1.20	-40~+80	25/15	28*56*42	IW03
9.000	12.400	JIWR90-12D7-TBD	300	25	0.40	1.20	-40~+80	10/5	12.7*48.5*42	IW07
			1000	20	0.50	1.25				
9.000	10.000	JIWR90-12D7-9000T10K0	FULL	20	0.40	1.25	-40~+80	10/5	12.7*48.5*42	IW07
10.000	11.000	JIWR90-70-10K0T11K0	FULL	20	0.40	1.15	-40~+80	15/10	70*42*42	IW04
10.400	11.000	JIWR90-28-10K4T11K0	FULL	23	0.30	1.20	-40~+80	25/15	28*56*42	IW03
10.400	11.000	JIWR90-12D7-10K4T11K0	FULL	23	0.30	1.20	-40~+80	10/5	12.7*48.5*42	IW07
WR 75										
10.000	16.000	JIWR75-25-TBD	500	30	0.20	1.15	-40~+80	10/5	25*52*38	IW05
			1000	25	0.25	1.15				
10.000	16.000	JIWR75-12D7-TBD	300	25	0.30	1.20	-40~+80	10/2	12.7*43*38	IW08
10.500	11.500	JIWR75-25-10K5T11K5	FULL	25	0.25	1.15	-40~+80	10/5	25*52*38	IW05
11.500	12.600	JIWR75-25-11K5T12K6	FULL	25	0.25	1.15	-40~+80	10/5	25*52*38	IW05
12.750	13.500	JIWR75-25-12K75T13K5	FULL	25	0.25	1.15	-40~+80	10/5	25*52*38	IW05
12.750	13.500	JIWR75-12D7-12K75T13K5	FULL	25	0.30	1.20	-40~+80	10/2	12.7*43*38	IW08
13.000	14.500	JIWR75-25-13K0T14K5	FULL	25	0.25	1.15	-40~+80	10/5	25*52*38	IW05
WR 62										
12.400	18.000	JIWR62-21-TBD	500	25	0.30	1.15	-40~+80	5/2	21*52*33.3	IW06
			1000	23	0.20	1.15				
12.400	18.000	JIWR62-12D7-TBD	500	23	0.30	1.20	-40~+80	2/1	12.7*38.3*33.3	IW09
14.000	15.300	JIWR62-21-14K0T15K3	FULL	22	0.35	1.20	-40~+80	5/2	21*52*33.3	IW06
14.200	15.600	JIWR62-21-TBD	500	22	0.35	1.20	-40~+80	5/2	21*52*33.3	IW06
WR 51										
14.500	22.000	JIWR51-15-TBD	1000	25	0.30	1.20	-40~+80	5/2	15*40*33.3	IW10



JQL ELECTRONICS INC.
 1-888-236-9828 (USA) 1-630-930-9917 (International) sales@jqlelectronics.com

WAVEGUIDE ISOLATOR

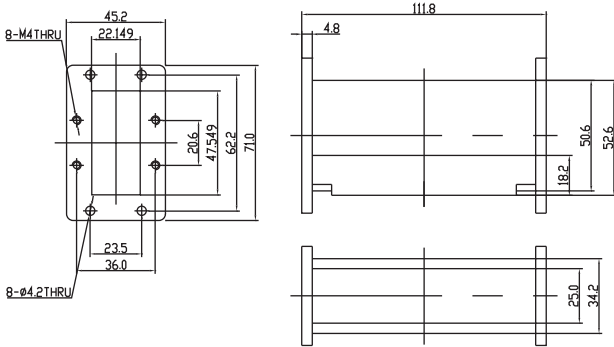
WAVEGUIDE ISOLATOR

FREQUENCY (GHz)		MODEL	BANDWIDTH	ISOLATION	INS LOSS	VSWR	OPERATING	POWER	SIZE L*W*H	PACKAGE
F1	F2	NUMBER	UP TO (MHz)	(dB) MIN	(dB) MAX	MAX	TEMP(°C)	FWD/REV (W)	(mm)	CODE
WR 42										
17.600	26.700	JIWR42-12D7A-TBD	2000	20	0.50	1.25	-40~+80	2/1	12.7*31.75*23.6	IW12
17.600	26.700	JIWR42-9D5-TBD	2000	18	0.40	1.30	-40~+80	2/1	9.5*31.75*22.4	IW13
17.700	19.700	JIWR42-12D7A-17K7T19K7	FULL	20	0.40	1.25	-40~+80	2/1	12.7*31.75*23.6	IW12
18.250	19.500	JIWR42-12D7A-18K25T19K5	FULL	20	0.40	1.25	-40~+80	2/1	12.7*31.75*23.6	IW12
18.300	20.200	JIWR42-12D7A-18K3T20K2	FULL	20	0.40	1.25	-40~+80	2/1	12.7*31.75*23.6	IW12
18.500	26.500	JIWR42-12D7-TBD	500	28	0.30	1.15	-40~+80	2/1	12.7*32*22.4	IW11
			1000	23	0.40	1.20				
19.300	20.300	JIWR42-12D7A-19K3T20K3	FULL	20	0.40	1.25	-40~+80	2/1	12.7*31.75*23.6	IW12
21.200	23.600	JIWR42-12D7A-21K2T23K6	FULL	20	0.40	1.25	-40~+80	2/1	12.7*31.75*23.6	IW12
WR 34										
21.700	33.000	JIWR34-12D7-TBD	1000	23	0.30	1.20	-40~+80	2/1	12.7*32*21.1	IW14
26.200	26.700	JIWR34-12D7-26K2T26K7	FULL	23	0.30	1.20	-40~+80	2/1	12.7*32*21.1	IW14
30.000	31.000	JIWR34-12D7-30K0T31K0	FULL	23	0.30	1.20	-40~+80	2/1	12.7*32*21.1	IW14
WR 28										
26.500	40.000	JIWR28-10-TB D	1000	25	0.30	1.20	-40~+80	5/1	10*28*19.1	IW15
			2000	20	0.40	1.25	-40~+80			
26.500	40.000	JIWR28-5D-TBD	1000	20	0.50	1.20	-40~+80	5/1	5*25.4*19.1	IW17
26.500	40.000	JIWR28-12D7-TB D	3000	20	0.40	1.25	-40~+80	5/1	12.7*31.75*19.1	IW16
27.000	29.000	JIWR28-12D7-27K0T29K0	FULL	20	0.40	1.25	-40~+80	5/1	12.7*31.75*19.1	IW16
28.900	29.400	JIWR28-12D7-28K9T29K4	FULL	22	0.30	1.25	-40~+80	5/1	12.7*31.75*19.1	IW16
29.500	30.000	JIWR28-12D7-29K5T30K0	FULL	22	0.30	1.25	-40~+80	5/1	12.7*31.75*19.1	IW16
29.500	31.500	JIWR28-12D7-29K5T31K5	FULL	20	0.40	1.25	-40~+80	5/1	12.7*31.75*19.1	IW16
30.000	31.000	JIWR28-12D7-30K0T31K0	FULL	20	0.40	1.25	-40~+80	5/1	12.7*31.75*19.1	IW16
31.000	34.000	JIWR28-12D7-31K0T34K0	FULL	20	0.40	1.25	-40~+80	5/1	12.7*31.75*19.1	IW16
37.000	40.000	JIWR28-12D7-37K0T40K0	FULL	20	0.40	1.25	-40~+80	5/1	12.7*31.75*19.1	IW16
WR 22										
32.900	50.100	JIWR22-10-TB D	1000	25	0.60	1.20	-40~+80	2/1	10*26*19.1	IW18
			2000	23	0.60	1.25	-40~+80			
43.500	45.500	JIWR22-10-43K5T45K5	FULL	23	0.50	1.25	-40~+80	5/1	10*26*19.1	IW18
WR 18										
39.200	59.600	JIWR18-10-TB D	1000	25	0.60	1.20	-40~+80	0.5/0.5	10*25.5*19.1	IW19
			2000	23	0.60	1.25	-40~+80			
WR 14										
60.500	91.900	JIWR14-12D-TBD7	500	23	0.60	1.20	-40~+80	0.25/0.25	12.7*23*19.1	IW20
			1000	20	1.00	1.25	-40~+80			
WR 10										
84.000	100.000	JIWR10-10-TB D	1000	25	0.80	1.25	-40~+80	0.25/0.25	10*22*19.1	IW21
			2000	20	1.00	1.30	-40~+80			

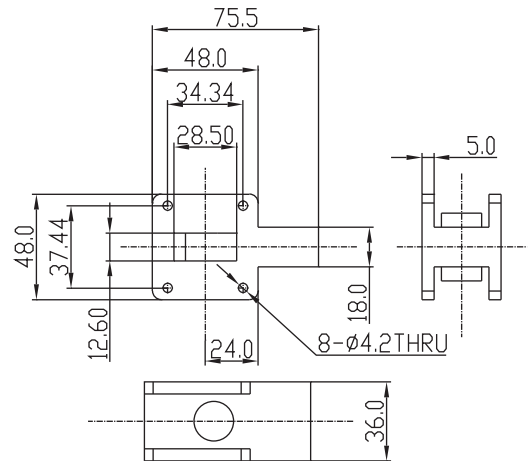


500 Lake Cook Road, Suite 350, Deerfield, IL 60015, USA
 Tel:1(888)236-9828/ 1(630)930-9917 Fax:1(630)823-2902
 Website:www.jqlelectronics.com email: sales@jqlelectronics.com

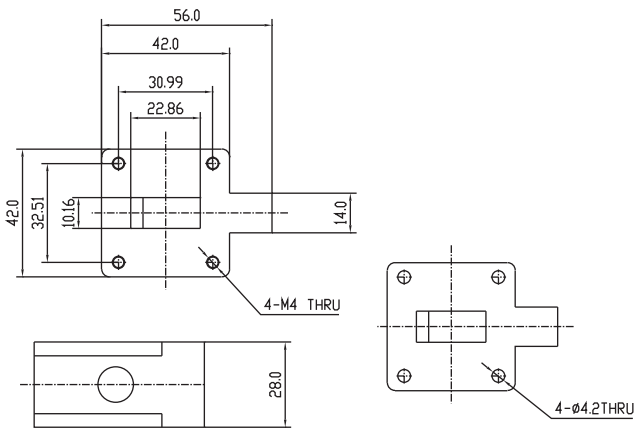
WAVEGUIDE ISOLATOR



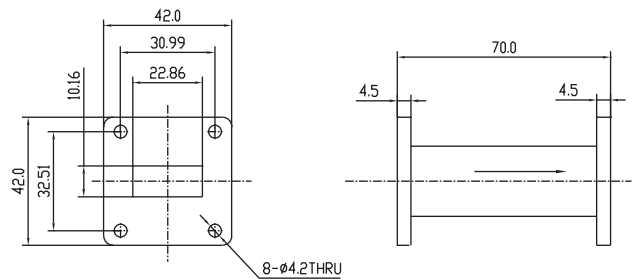
IW01-WAVEGUIDE ISOLATOR



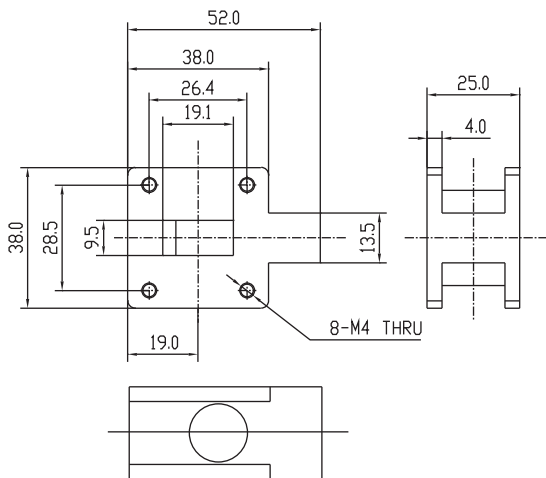
IW02-WAVEGUIDE ISOLATOR



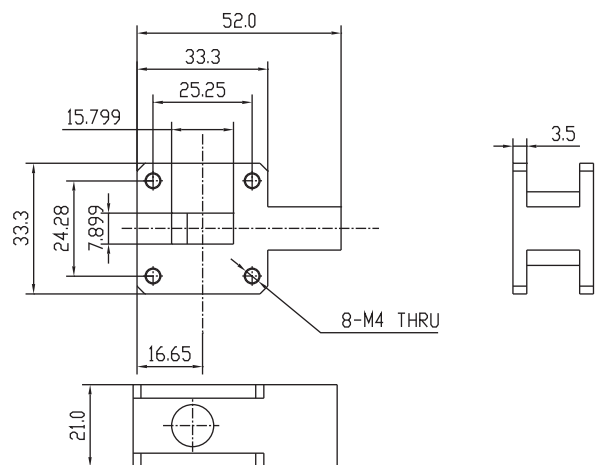
IW03-WAVEGUIDE ISOLATOR



IW04-WAVEGUIDE ISOLATOR



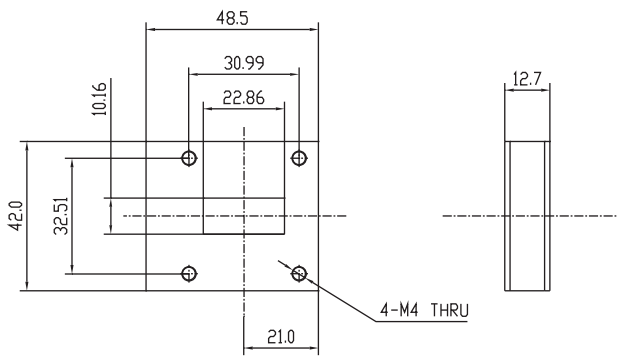
IW05-WAVEGUIDE ISOLATOR



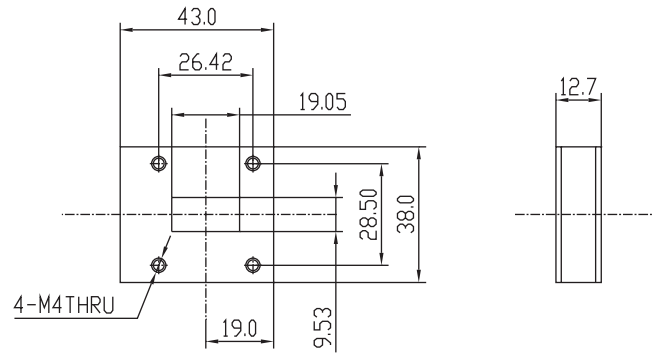
IW06-WAVEGUIDE ISOLATOR



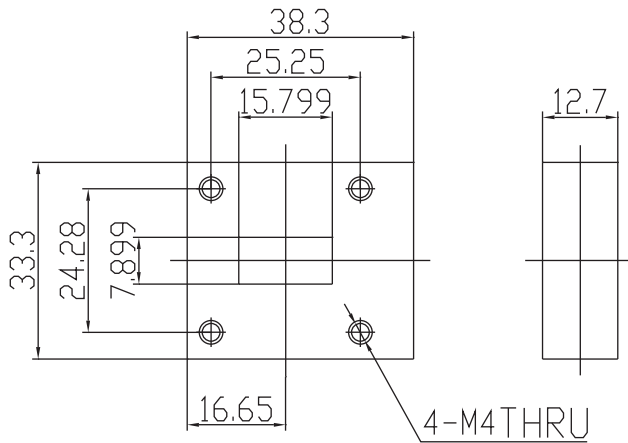
WAVEGUIDE ISOLATOR



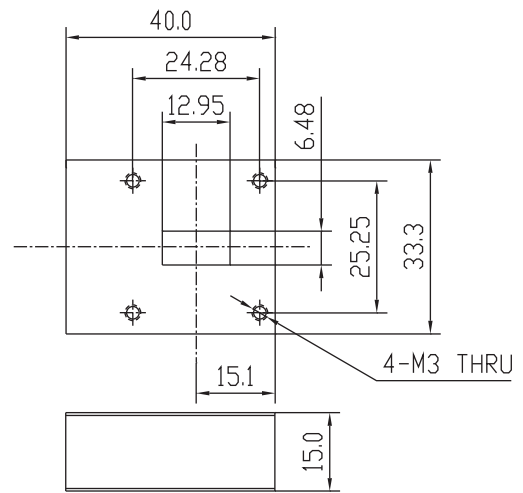
IW07-WAVEGUIDE ISOLATOR



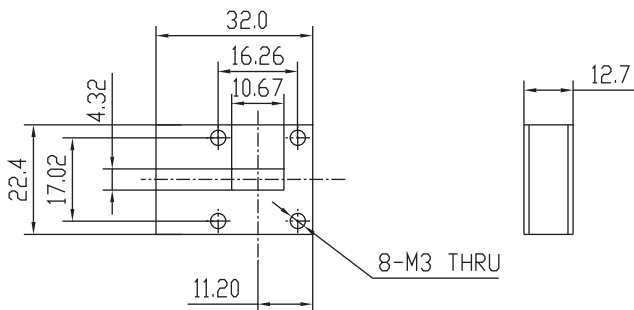
IW08-WAVEGUIDE ISOLATOR



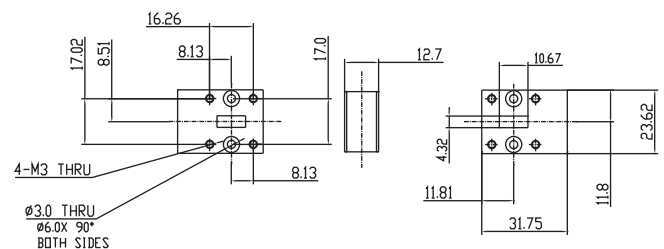
IW09-WAVEGUIDE ISOLATOR



IW10-WAVEGUIDE ISOLATOR

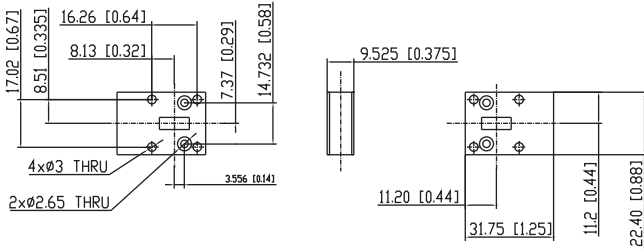


IW11-WAVEGUIDE ISOLATOR

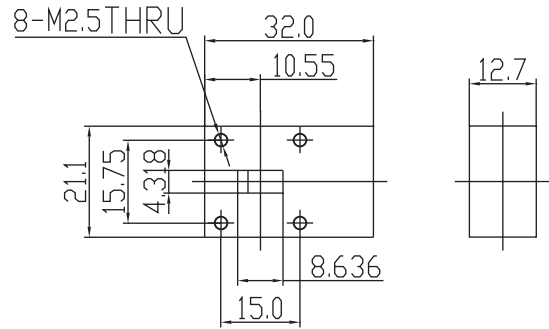


IW12-WAVEGUIDE ISOLATOR

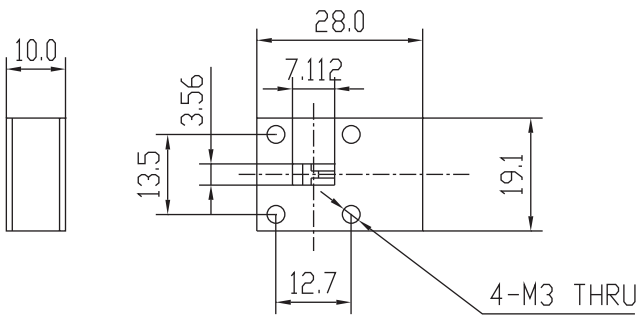
WAVEGUIDE ISOLATOR



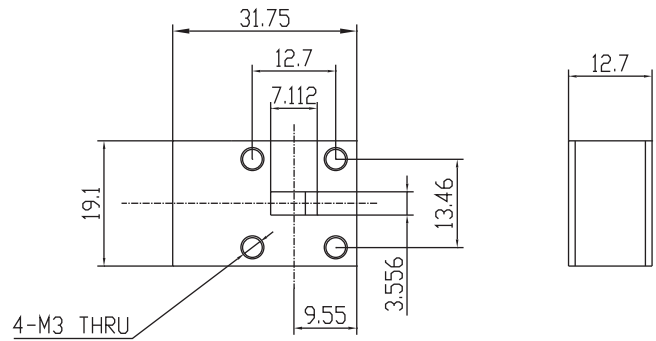
IW13-WAVEGUIDE ISOLATOR



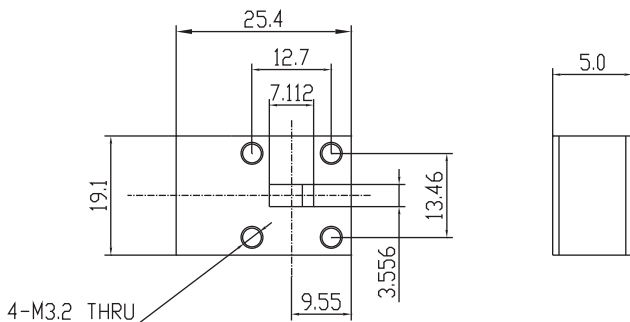
IW14-WAVEGUIDE ISOLATOR



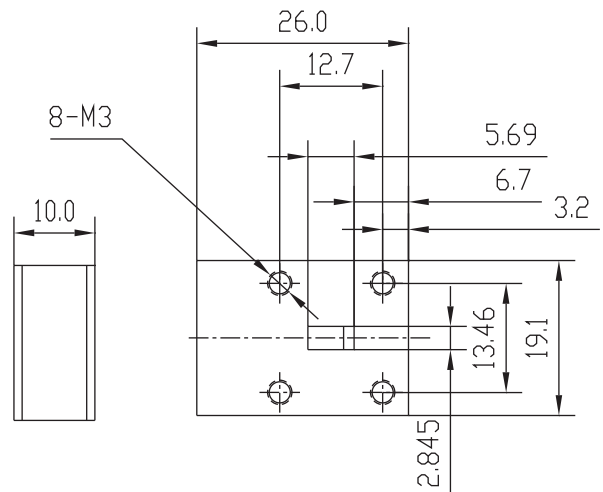
IW15-WAVEGUIDE ISOLATOR



IW16-WAVEGUIDE ISOLATOR



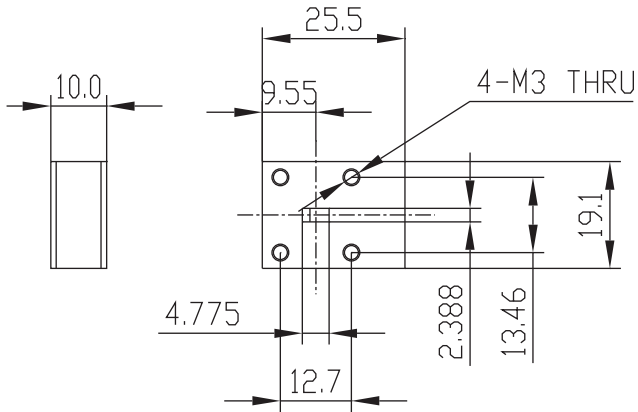
IW17-WAVEGUIDE ISOLATOR



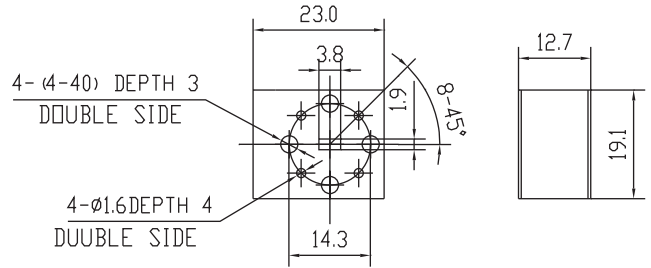
IW18-WAVEGUIDE ISOLATOR



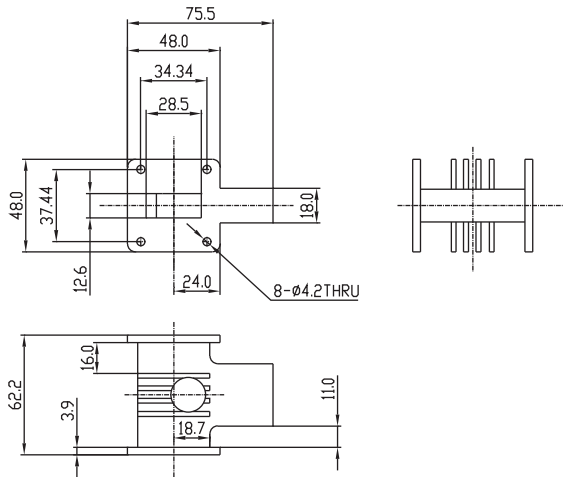
WAVEGUIDE ISOLATOR



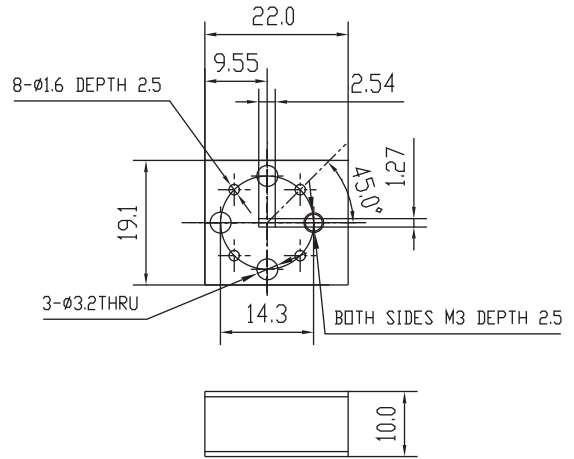
IW19-WAVEGUIDE ISOLATOR



IW20-WAVEGUIDE ISOLATOR



IW21-WAVEGUIDE ISOLATOR



IW22-WAVEGUIDE ISOLATOR



500 Lake Cook Road, Suite 350, Deerfield, IL 60015, USA
 Tel: 1(888)236-9828 / 1(630)930-9917 Fax: 1(630)823-2902
 Website: www.jqlelectronics.com email: sales@jqlelectronics.com