



ANATECH ELECTRONICS INC
RF & Microwave Filters & Products

ISM Band 2450 MHz Ceramic Band Pass Filter

Part Number: AM2450B1012



Electrical specifications

Center Frequency: 2450 MHz
Bandwidth: 100 MHz
Input / Output Impedance: 50 Ohms
Passband: 2400–2500 MHz
Passband Insertion Loss:
Passband Ripple: 2400–2500 MHz 0.50 dB
Passband Return Loss: 2400–2500 MHz -12.00 dB
Rejection: 2100 MHz -40.00 dB
Rejection 2: 2800 MHz -30.00 dB
Power Handling: 1 Watt max

Mechanical

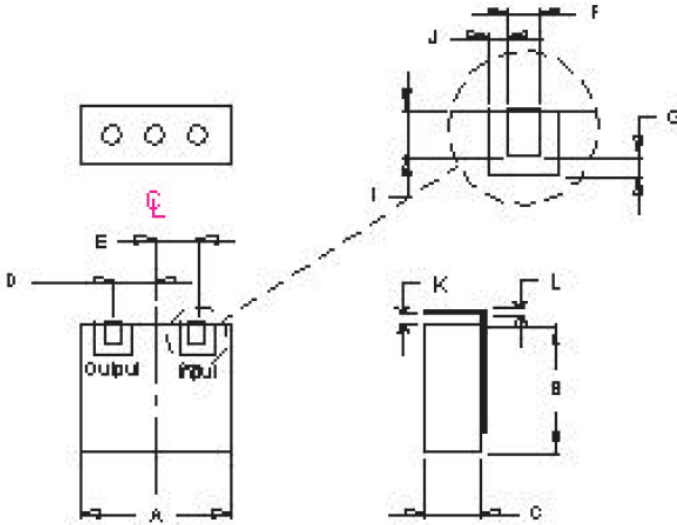
Mounting Method: SMT
Dimensions: 11.75 x 4.50 x 4.30 mm

Environmental

Operating Temperature: -40 C to +85 C
Storage Temperature: -50 C to +90 C

This product is RoHs compliant.

Outline Drawing:



Dim	Nominal (mm)	Tolerance (mm) +/- or max
A	11.75	Max
B	4.30	Max
C	4.50	Max
D	3.30	0.127
E	3.30	0.127
F	1.02	0.127
G	0.51	0.127
I	1.02	0.127
J	0.51	0.127
K	1.00	0.127
L	0.13	0.127



ANATECH ELECTRONICS INC
RF & Microwave Filters & Products

ISM Band 2450 MHz Ceramic Band Pass Filter

Part Number: AM2450B1012



Response Plot:

