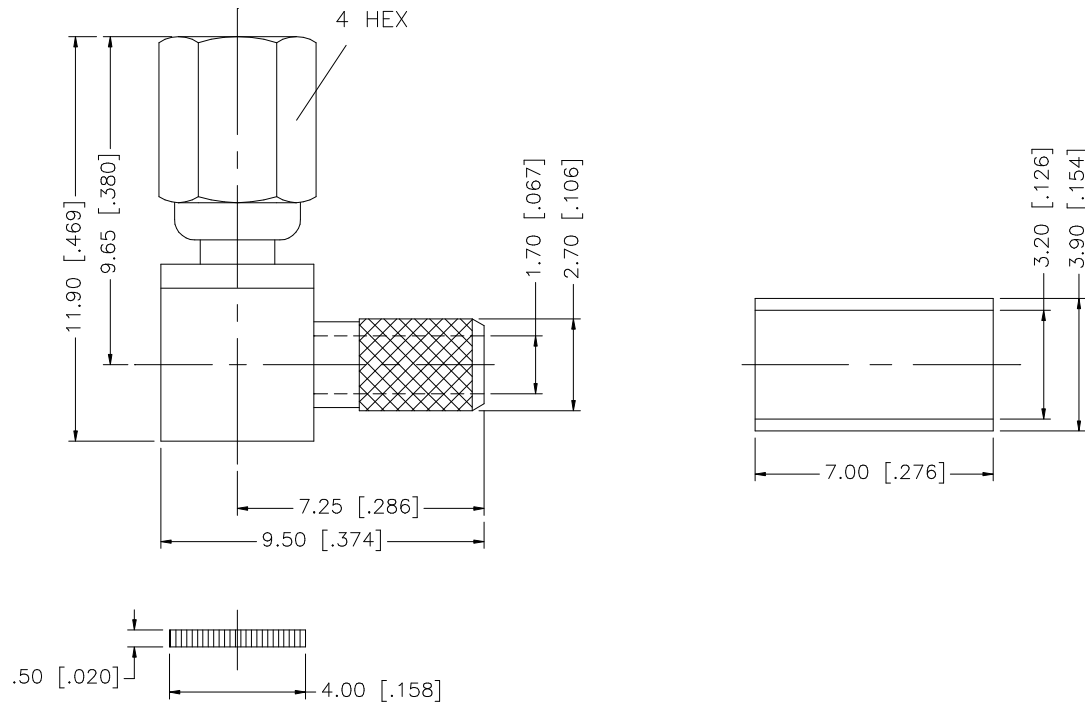


REV.	DATE	DESCRIPTION
NC	01/29/07	INITIAL RELEASE



NOTE:

1. CRIMPED FERRULE HEX CRIMP SIZE .128"
2. CONTACT PIN TO SOLDER

8				<small>UNLESS OTHERWISE SPECIFIED DIMENSIONS ARE IN MILLIMETERS. DIMENSIONS IN [ ] ARE IN INCHES AND FOR CUSTOMER REFERENCE ONLY.</small> <small>UNLESS OTHERWISE SPECIFIED TOLERANCES FOR MILLIMETERS ARE:</small> 0.5 - 8mm ± 0.20mm 8 - 30mm ± 0.40mm 30 - 120mm ± 0.50mm <small>UNLESS OTHERWISE SPECIFIED TOLERANCES FOR INCHES ARE:</small> .020 - .315 ± 0.007" .315 - 1.180 ± 0.015" 1.180 - 4.724 ± 0.020" DO NOT SCALE DRAWING	APPROVALS	DATE	<h1 style="color: blue;">Amphenol Connex</h1>		
7					DRAWN	G.R.S.		01/29/07	<b>SSMC R/A CRIMP PLUG (FOR RG-174/U, 188A/U, 316/U)</b>
6					CHECKED				
5					ISSUED				
4					SHEET	1 OF 1		PART NO.	
3	CONTACT PIN	BER. COPPER	GOLD		1			153101	
2	INSULATOR	TEFLON	NATURAL		1			DWG. NO. 153101.DWG	
1	BODY	BER. COPPER	GOLD		1			REV. NC    SIZE A    SCALE NA	
	DESCRIPTION	MATERIAL	FINISH	QTY					