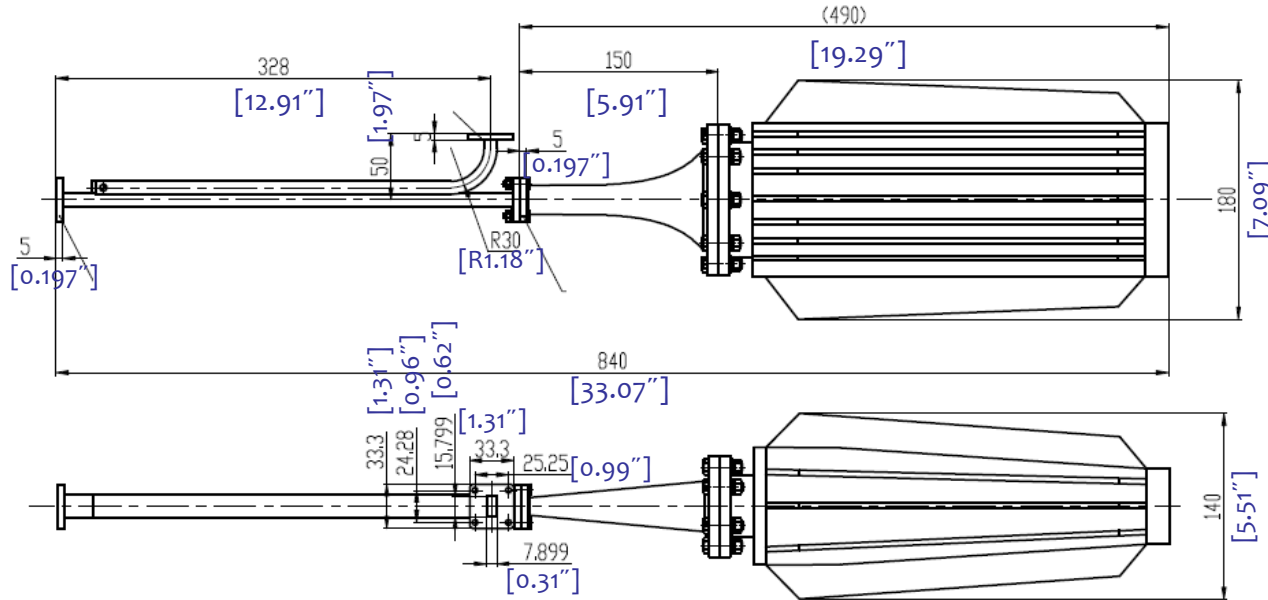



WAVEGUIDE WR62 1000W ATTENUATOR - RFWAT62W01K



1.0 Mechanical Specifications	
1.1 Waveguide type	Rectangular Waveguide WR62
1.2 Flange type	CPRG, CPRF, COVER, CHOKE available
1.3 Flange Holes	Through
1.4 Basis-material	Alloyed Copper
1.5 Internal Body Finish	Silver Plated chromate or conversion
1.6 External Body Finish	Body painted with gray/black epoxy enamel

2.0 Environment specifications	
2.1 Operation Temp.	-40°C~+70°C
2.2 Storage Temp.	-60°C~+125°C
2.3 Altitude	45000 ft
2.4 Vibration	10g rms (15 degree 2KHz)
2.5 Humidity	100% RH at 35c, 95%RH at 40 deg c
2.6 Shock	20G for 11msc

3.0 Electrical Specifications	
3.1 Frequency Range	12-18GHz
3.2 Power Handle	1000W (CW)
3.3 Attenuation	10dB
3.4 VSWR	≤1.3:1
3.5 Peak power	80000W

PAGE 1 OF 1		DATE	Dec 14th 2004
<small>PROPRIETARY INFORMATION THE INFORMATION CONTAINED IN THIS DOCUMENT IS THE PROPERTY OF RF-LAMBDA EXCEPT AS SPECIFICALLY AUTHORIZED IN WRITING BY RF-LAMBDA. THE HOLDER OF THIS DOCUMENT SHALL KEEP ALL INFORMATION CONTAINED HEREIN CONFIDENTIAL AND SHALL PROTECT SAME IN THE WHOLE OR IN PART FROM DISCLOSURE AND DISSEMINATION OF ALL THIRD PARTIES AND SHALL USE SAME FOR OPERATING AND MAINTENANCE PURPOSES ONLY.</small>		DESIGN	RFWGP
		RF-LAMBDA	RFPC
		CAD MODEL REVISION	02
		ASSEMBLY REVISION	VSD#1
 RFWAT62W01K WAVEGUIDE ATTENUATOR		ASSEMBLY NAME	RFLVR02
		DRAWING NUMBER	D02-1
www.rflambda.com		SIZE	SHEETS
RF-LAMBDA		LT	1 OF 1